



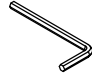


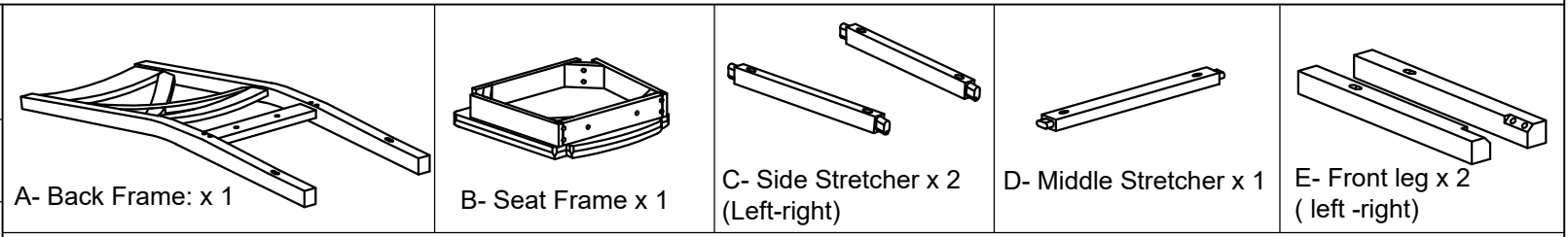


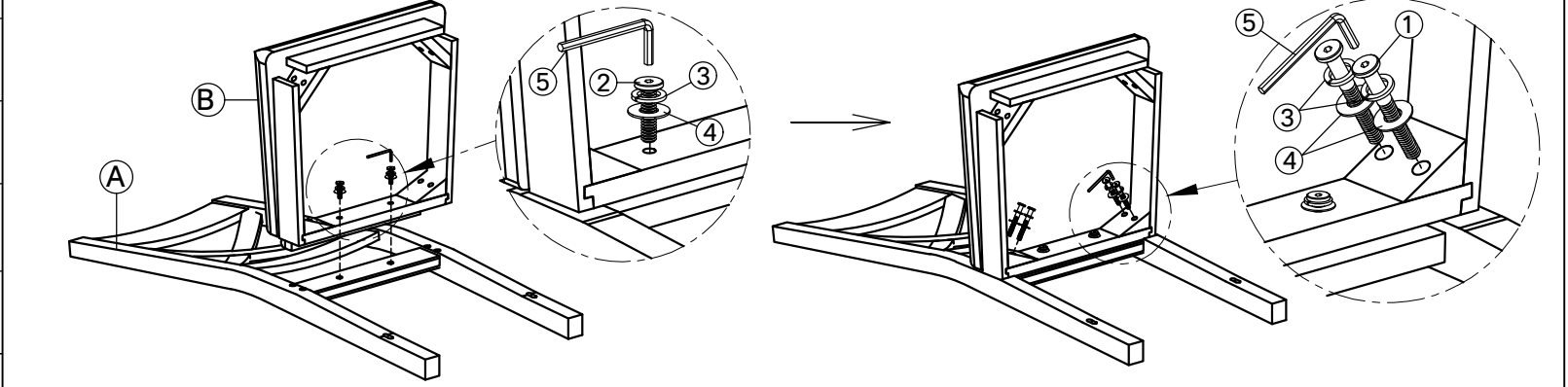
ASSEMBLY INSTRUCTION

G2140KD - CROSS BACK DINING CHAIR WITH PU SEAT _KD

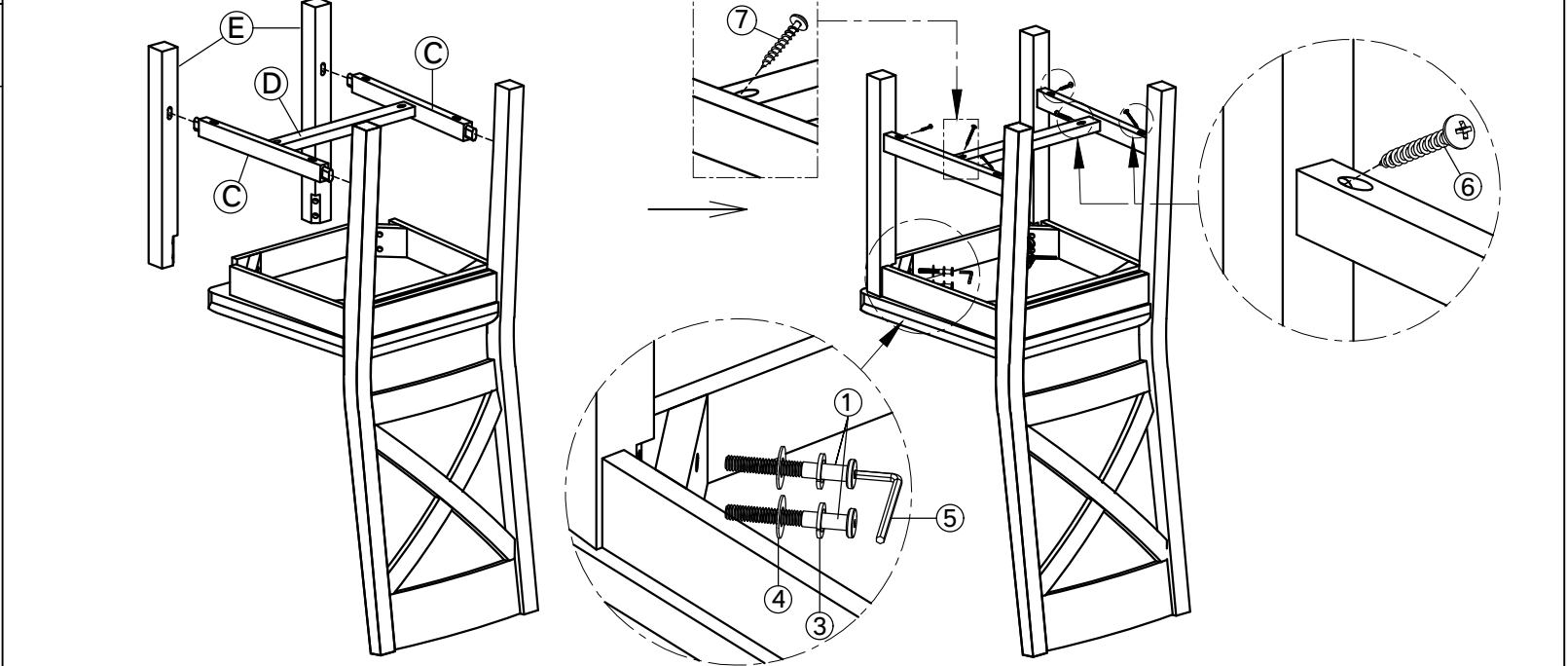
| No | Name of Hardware | Q.ty |
|----|--|------|
| ① | Bolt M6 x 70  | 8 |
| ② | Bolt M8 x 35  | 2 |
| ③ | Spring Washer Ø9/Ø11  | 10 |
| ④ | Washer Ø9/Ø18x 1  | 10 |
| ⑤ | Allen key (K4)  | 1 |
| ⑥ | Round head Screw Ø4 x 50  | 4 |
| ⑦ | Round head Screw Ø4 x 30  | 2 |




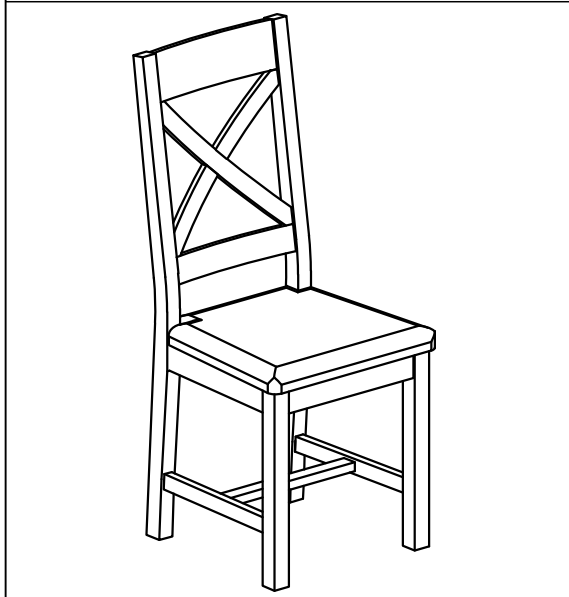
STEP 1: Please don't tighten bolts fully in this step.



STEP 2: Please don't tighten bolts and screws fully in this step.



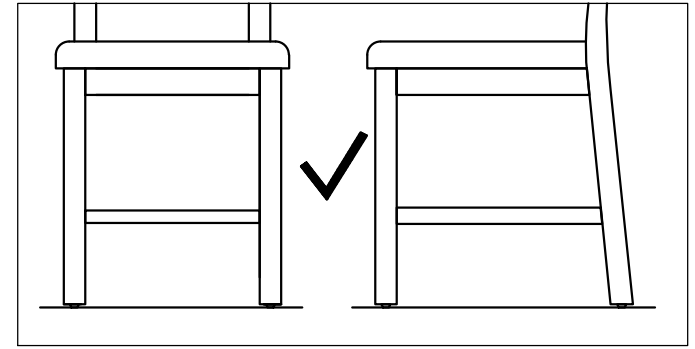
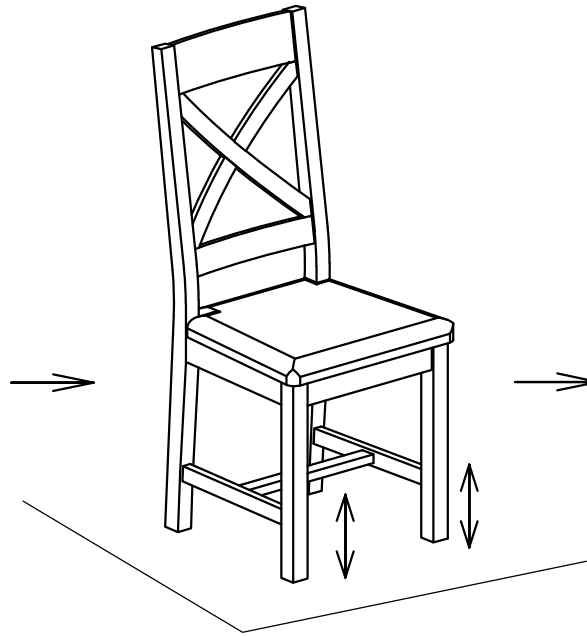
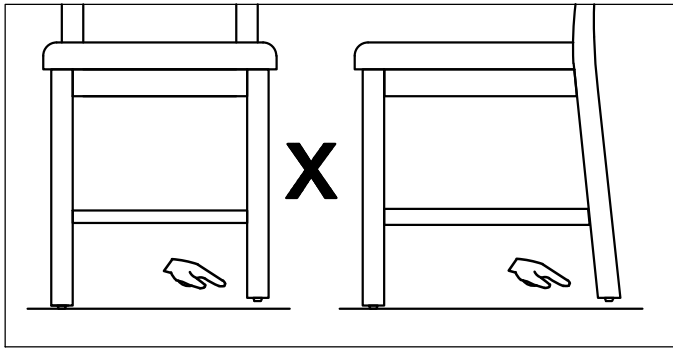
Screwdriver (not included) 



ASSEMBLY INSTRUCTION

G2140KD - CROSS BACK DINING CHAIR WITH PU SEAT _KD

STEP 3: Check all legs are in the same level, as shown,
then tighten all bolts and screws fully.



FINAL

