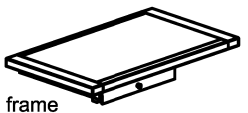
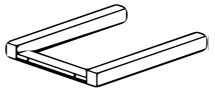
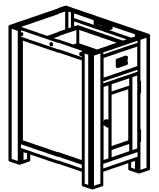
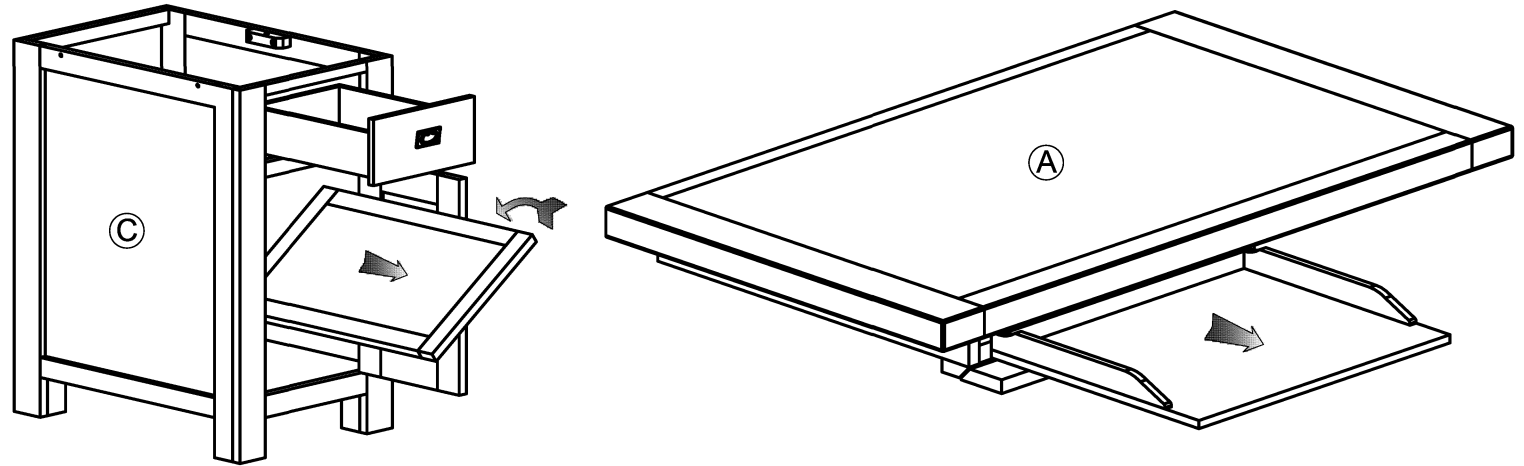





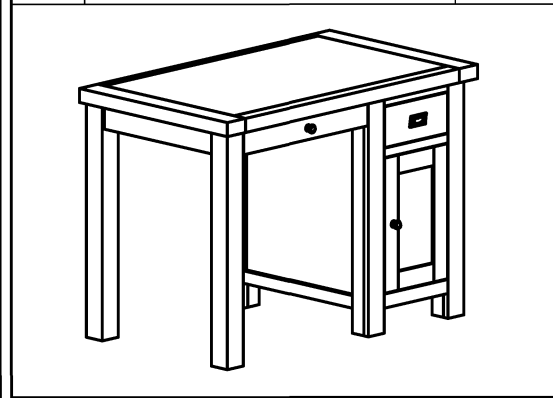


No	Name of Component	Q.ty
(A)	 Table top frame	1
(B)	 Leg frame	1
(C)	 Base	1

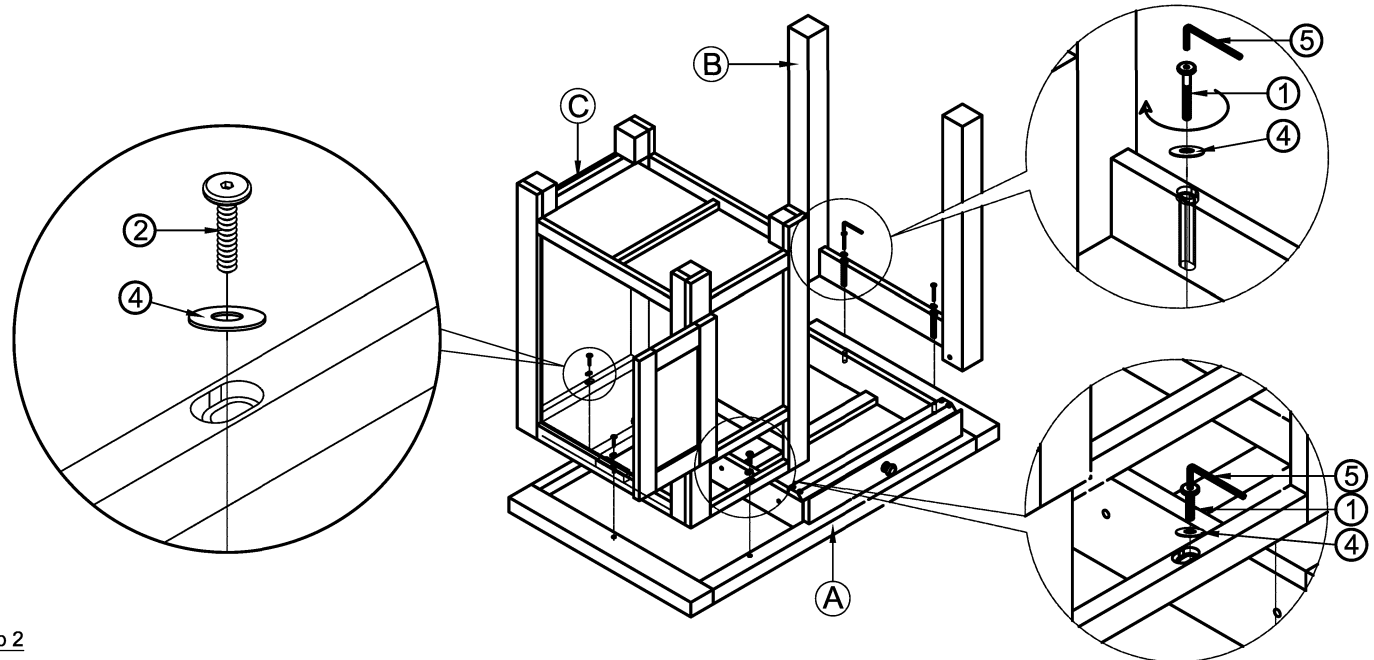


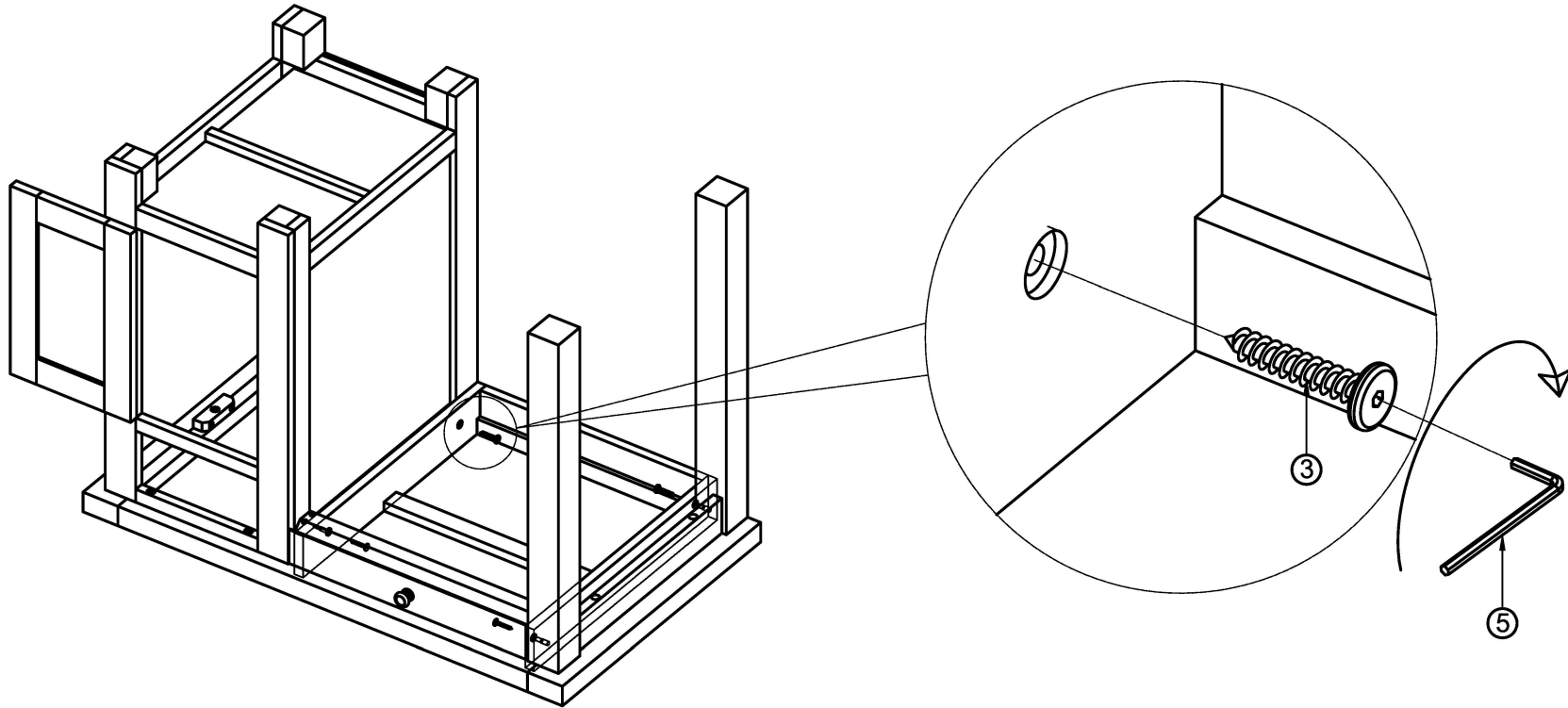
No	Name of Hardware	Q.ty
(1)	 Bolt M6 x 70mm	2
(2)	 Bolt M6 x 40mm	3
(3)	 F-Screw M6 x 35mm	4
(4)	 Washer(ø6xø14x1.5mm)	5
(5)	 Allen key (K4)	1

Step 1:

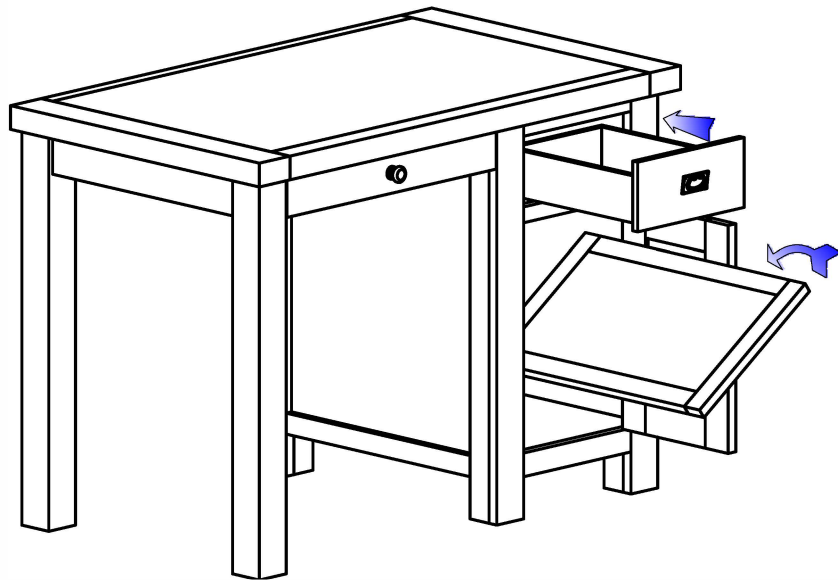


Step 2

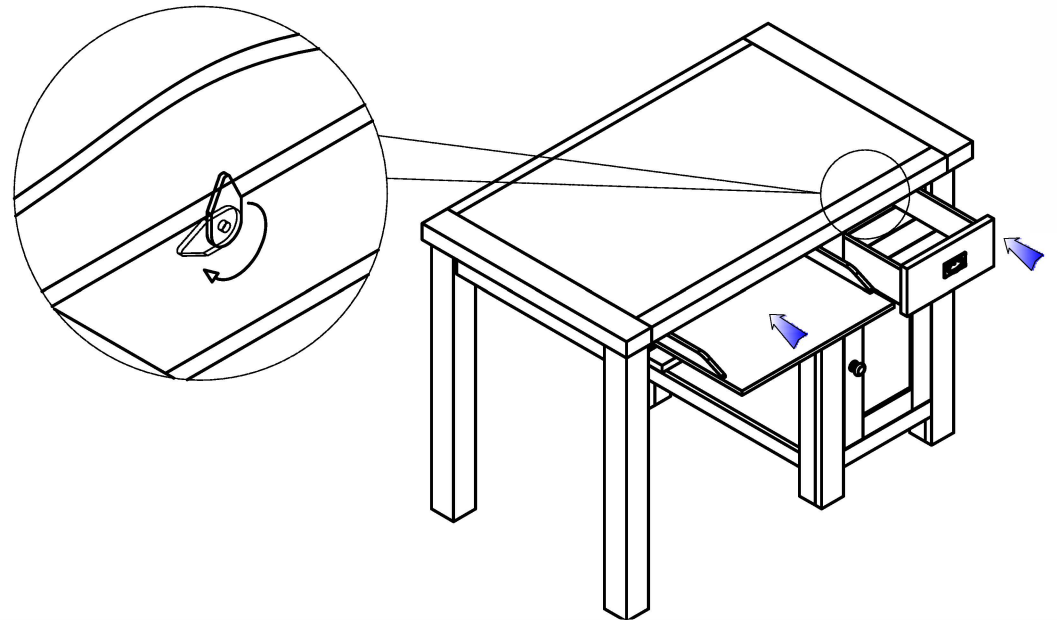




Step 3



Step 4



Final