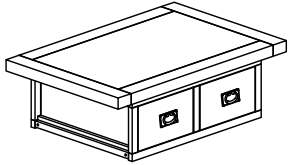
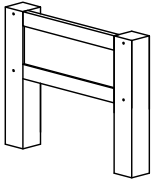



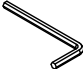
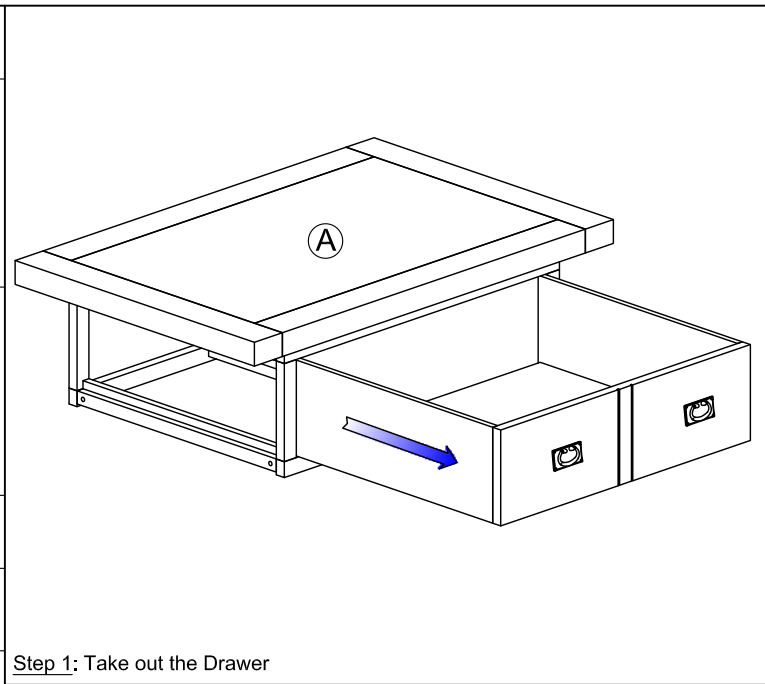
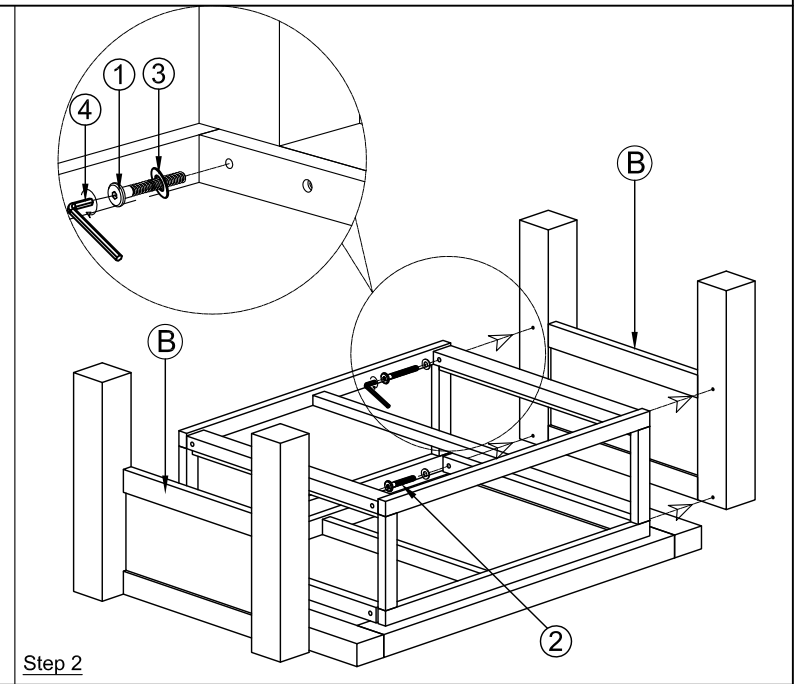


ASSEMBLY INSTRUCTION COFFEE TABLE WITH DRAWER

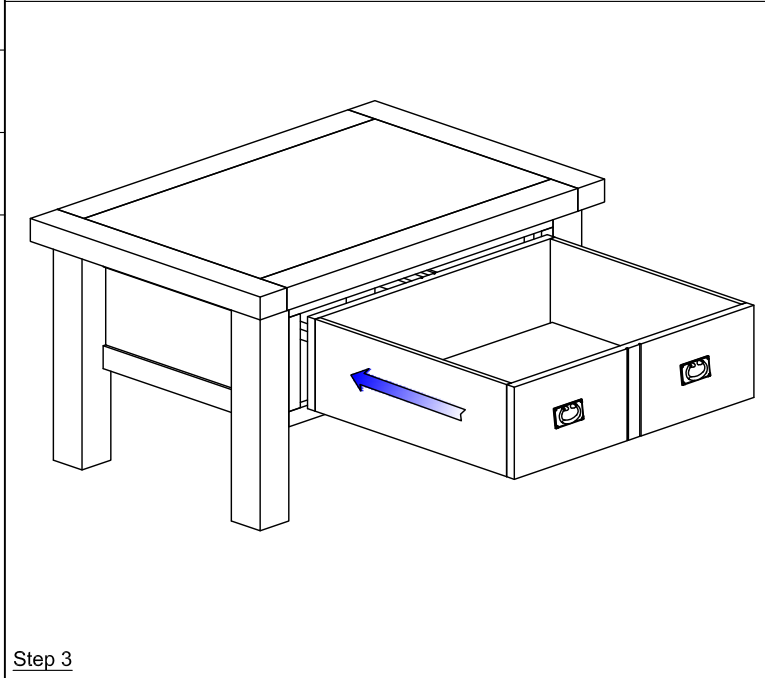
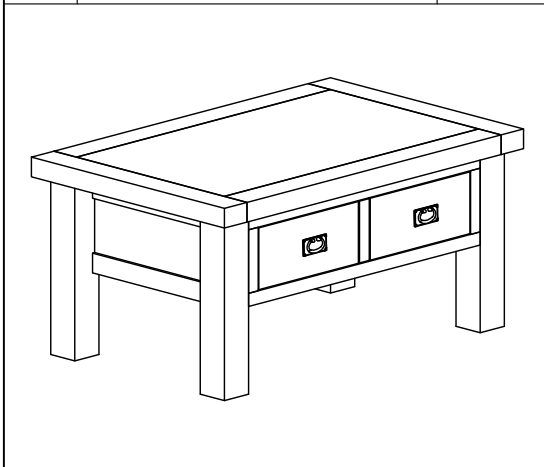
No	Name of Component	Q.ty
(A)	 Table top frame	1
(B)	 Leg frame	2
No	Name of Hardware	Q.ty
(1)	Bolt M6 x 60 	4
(2)	Bolt M6 x 35 	4
(3)	Washer Ø7/Ø15 x 1 	8
(4)	Allen key (K4) 	1



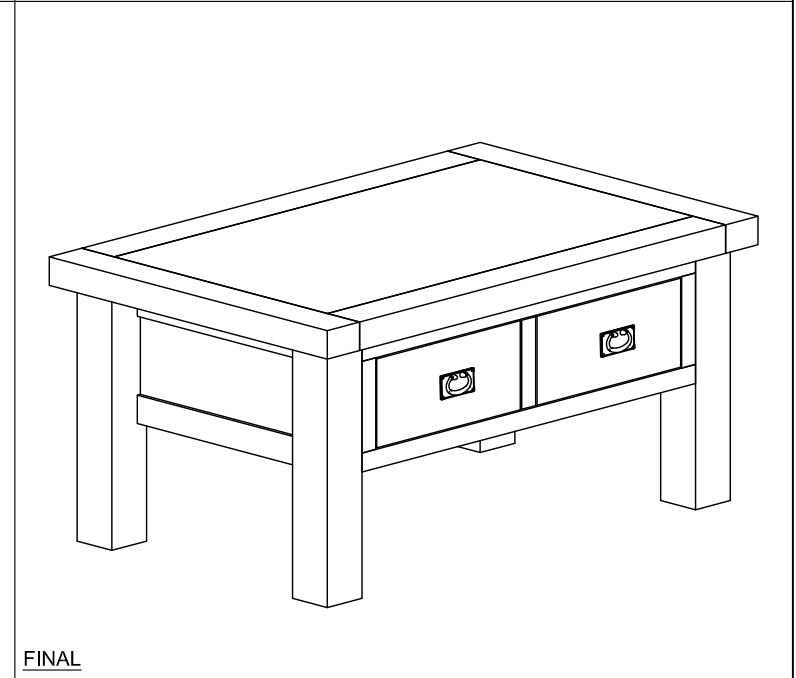
Step 1; Take out the Drawer



Step 2



Step 3



FINAL