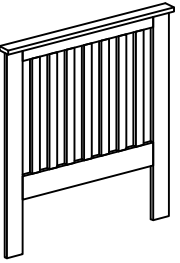
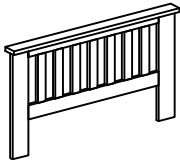
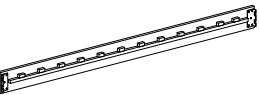

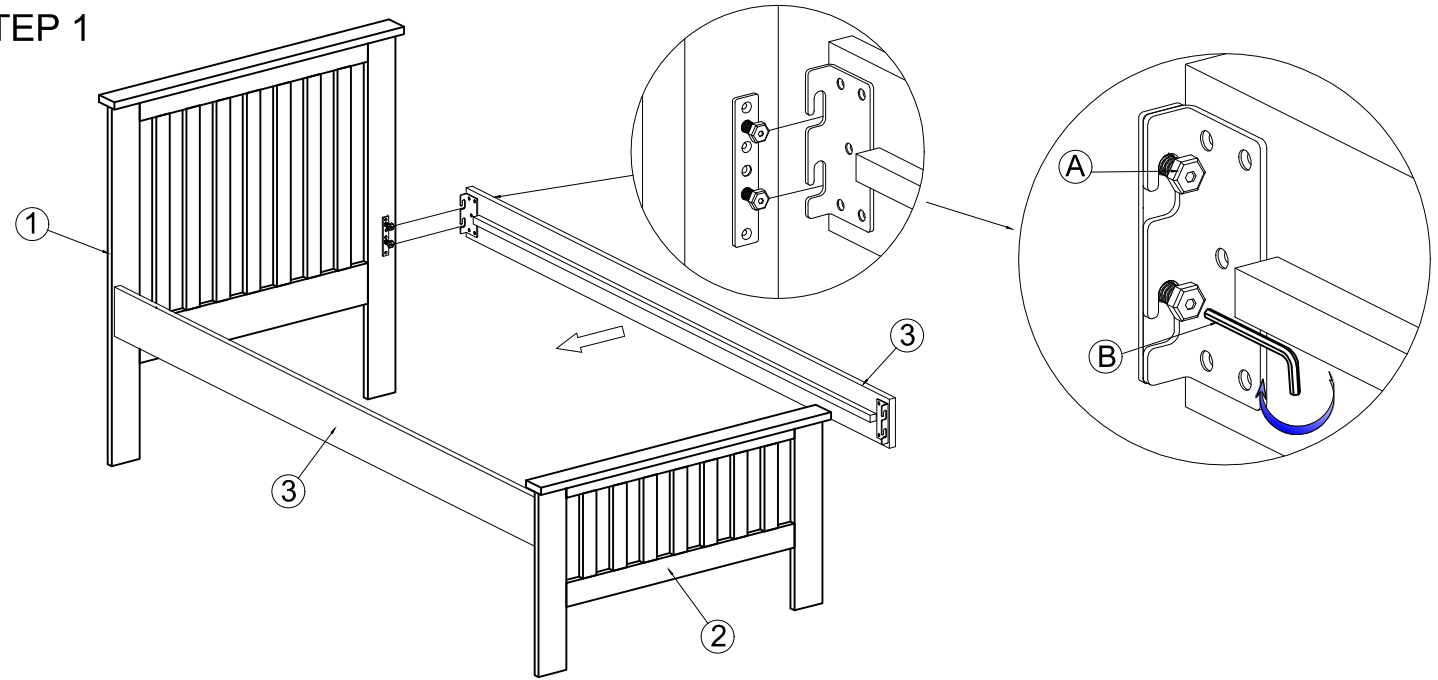


ASSEMBLY INSTRUCTION - GUEST BED

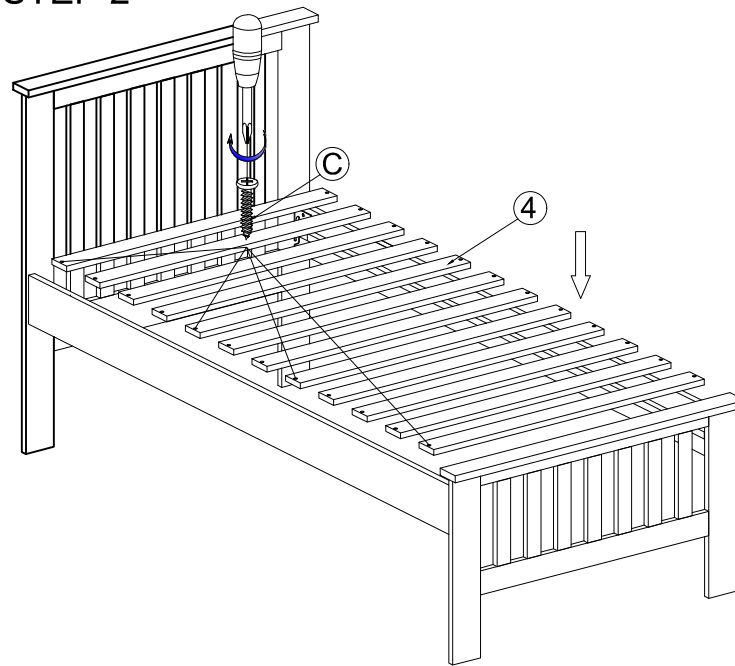
PARTS LIST

NO	DRAWING	DESCRIPTION	QTY
①		HEAD BOARD	1
②		FOOT BOARD	1
③		SIDE RAILS	2
④		SLAT FRAME	13

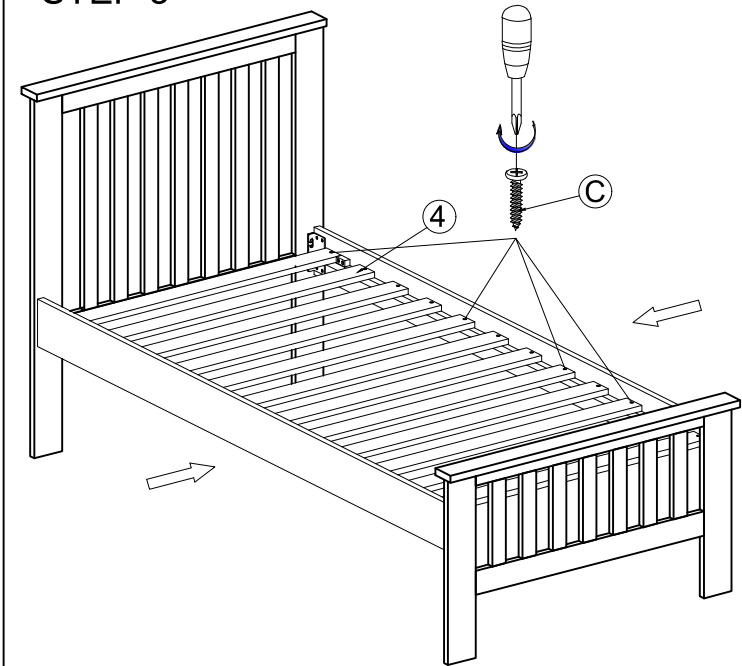
STEP 1






STEP 2



STEP 3







HARDWARE LIST

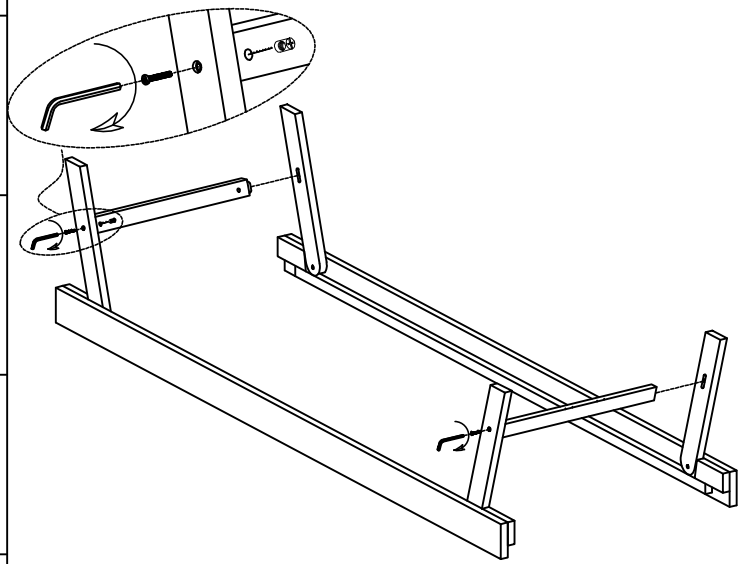
NO	DRAWING	DESCRIPTION	QTY
Ⓐ		BOLT M8 x 15	8
Ⓑ		ALLEN KEY	1
Ⓒ		SCREWS 4 x 30	26

ASSEMBLY INSTRUCTION - GUEST BED

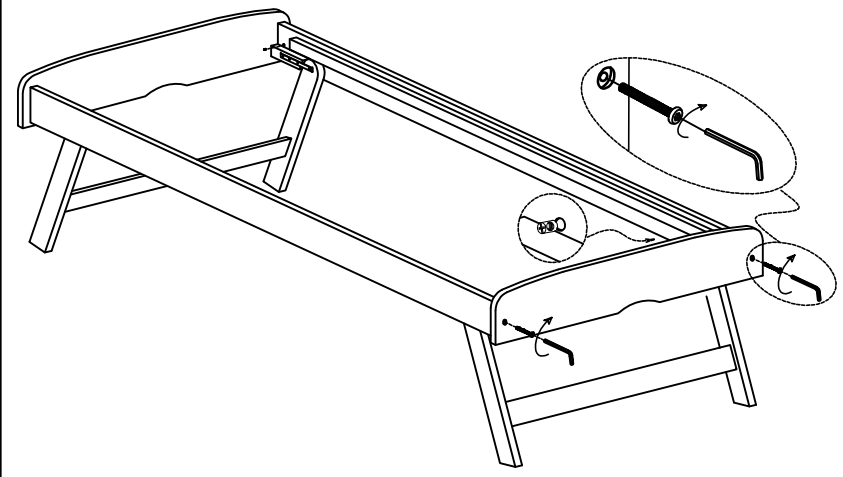
PARTS LIST

NO	DRAWING	DESCRIPTION	QTY
①		HEAD BOARD	2
②		SIDE RAILS	2
③		FOOT FRAME	2
④		SLAT FRAME	13

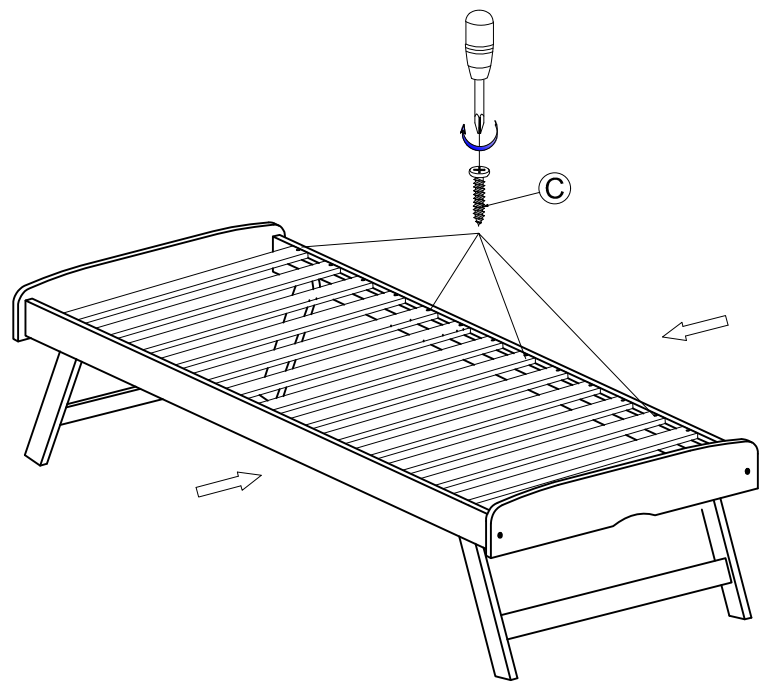
STEP 1






STEP 2



STEP 3



HARDWARE LIST

NO	DRAWING	DESCRIPTION	QTY
Ⓐ		BOLT M6x50	8
Ⓑ		ALLEN KEY	1
Ⓒ		SCREWS M4 x 30	26