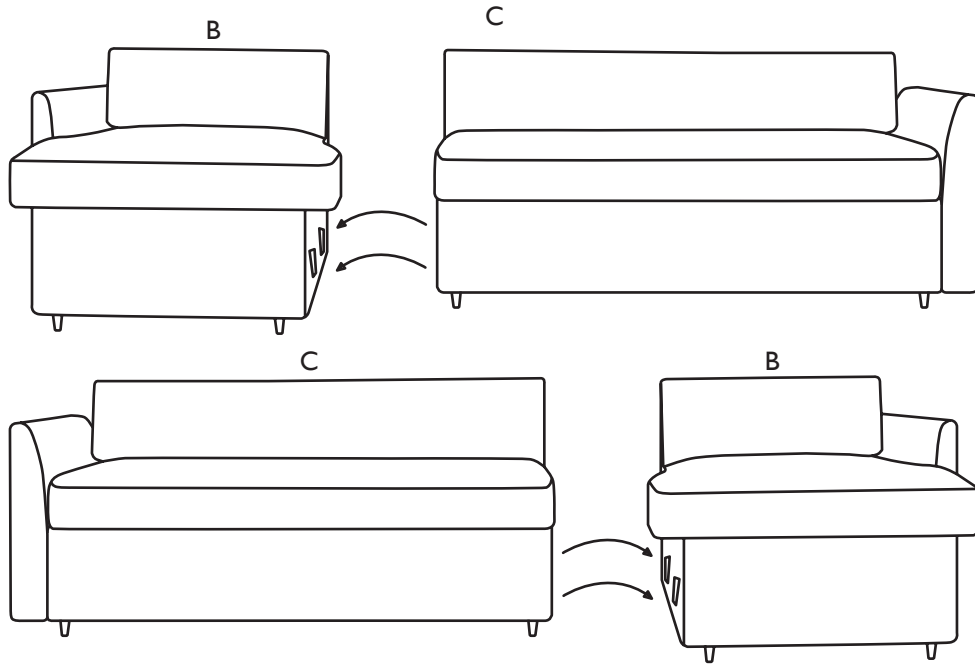


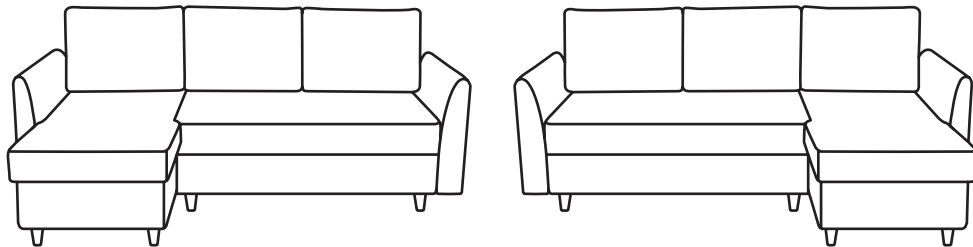
STEP 3

Once you have the arms in place, use the slides to join parts B and C together. Lift part C onto the metal slides on part B and push down firmly, as shown below.

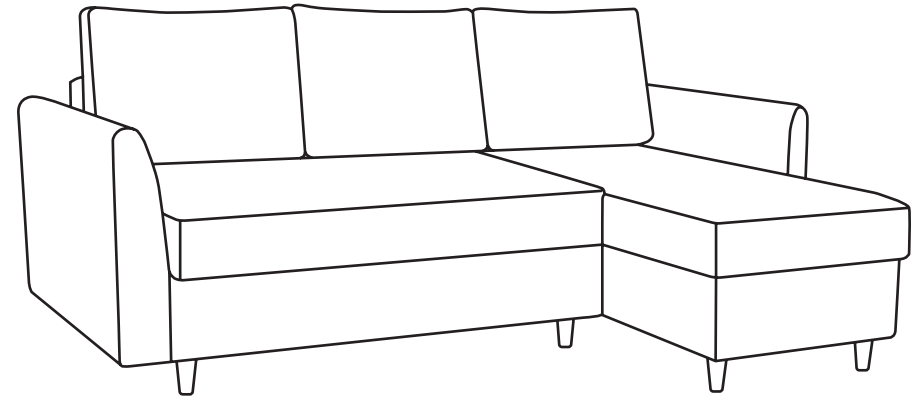


STEP 4

After all pieces are assembled securely, place the three back cushions (E) onto your sofa bed.



FABRIC CONTENT
MAIN FABRIC 100% POLYESTER
OTHER FABRIC (VISIBLE)
NON-WOVEN FABRIC 100% POLYESTER



KY42I SOFA BED

Thank you for your purchase. The following care instructions will allow you to make the most of your sofa bed; helping to prolong the look and life of it by preventing wear and damage.

IMPORTANT INFORMATION

PLEASE ENSURE YOU READ THIS LEAFLET BEFORE USING YOUR SOFA BED. DO NOT DISCARD OF ANY PACKAGING UNTIL YOU HAVE CHECKED THE PRODUCT THOROUGHLY.

CARING FOR YOUR SOFA BED

- Pre-brush fabric with a soft brush and then gently vacuum.
- Plump any accent/removable cushions regularly to prevent them becoming mis-shaped or flat.
- Use a microfibre cloth to remove dust from wooden surfaces.
- In the event of a spill or stain, use specialist upholstery cleaner or cleaning services.

SUNLIGHT AND HEAT DAMAGE

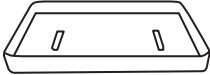
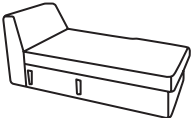


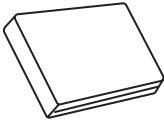
- Avoid contact with direct sunlight. If needed, move items or change their position to avoid the same area being exposed to repeated sunlight/heat.
- Do not place your sofa bed close to fire places and/or radiators.
- Hot objects such as mugs/plates can permanently mark the fabric and wood, avoid placing these on the sofa bed.

- Do not allow children or pets to climb or jump on the sofa bed.
- Avoid contact with sharp objects such as buckles, toys and jewellery as these can easily snag, tear and/or pull the fabric.

ENTRAPMENT WARNING

- Avoid the risk of entrapment by using the sofa bed as intended; sitting facing forward on the seat.
- Do not allow children to operate the sofa bed mechanism.
- Storage compartment is for storing items ONLY. Do not climb in or allow children to climb in.

PARTS LIST

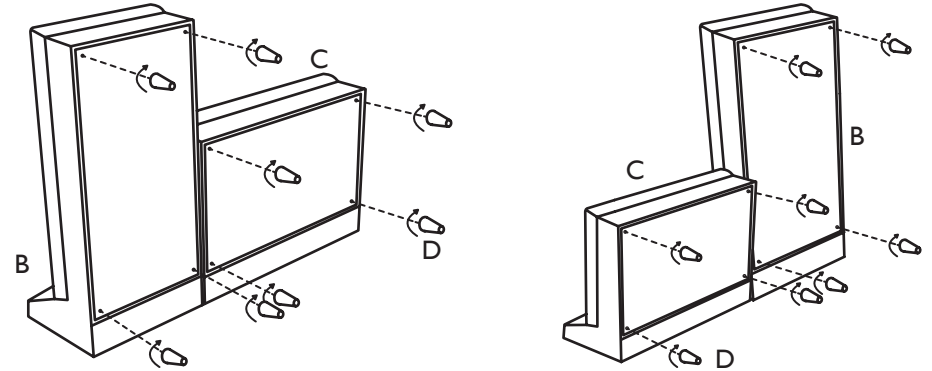
IMAGE	DESCRIPTION	PART NO.	QTY
	Arms	A	2
	Chaise	B	1
	Seating	C	1
	Legs	D	8
	Back Cushions	E	3

ASSEMBLY INSTRUCTIONS

Unpack your sofa bed and check that all the parts on the Parts List are present. If any are missing, please contact the retailer from whom you purchased the product.

STEP 1

Assemble your sofa bed on a flat and soft surface to prevent any damage. Choose which side you would like your chaise on (left hand or right hand facing), then safely position the Chaise (B) and Seating (C) sections in a way that allows you to attach the legs (D), as shown below.



STEP 2

Place the sofa bed pieces on their legs. Connect the Arms (A) with each piece, using the metal slides, pushing down firmly.

