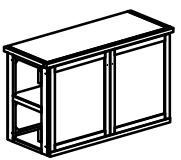
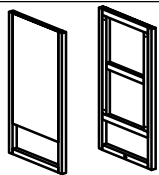

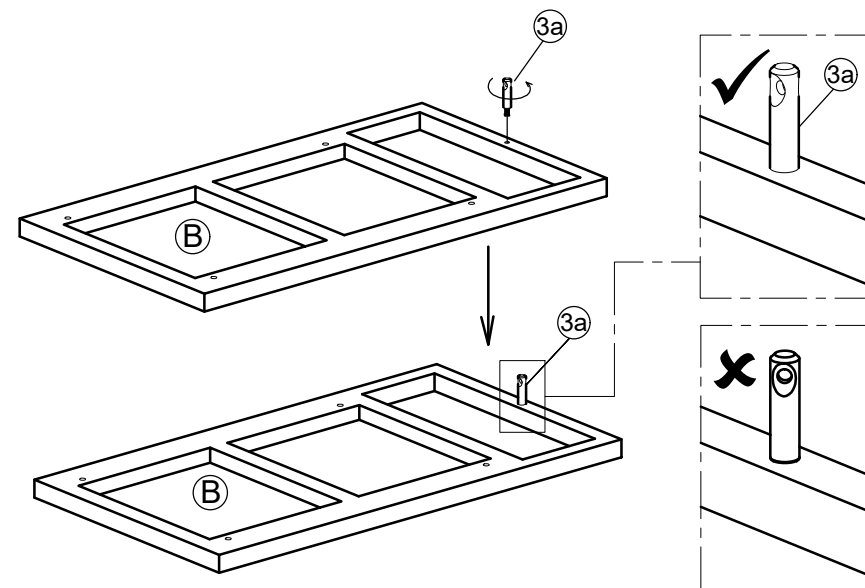





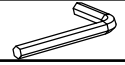




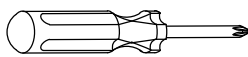


ASSEMBLY INSTRUCTION CUPBOARD

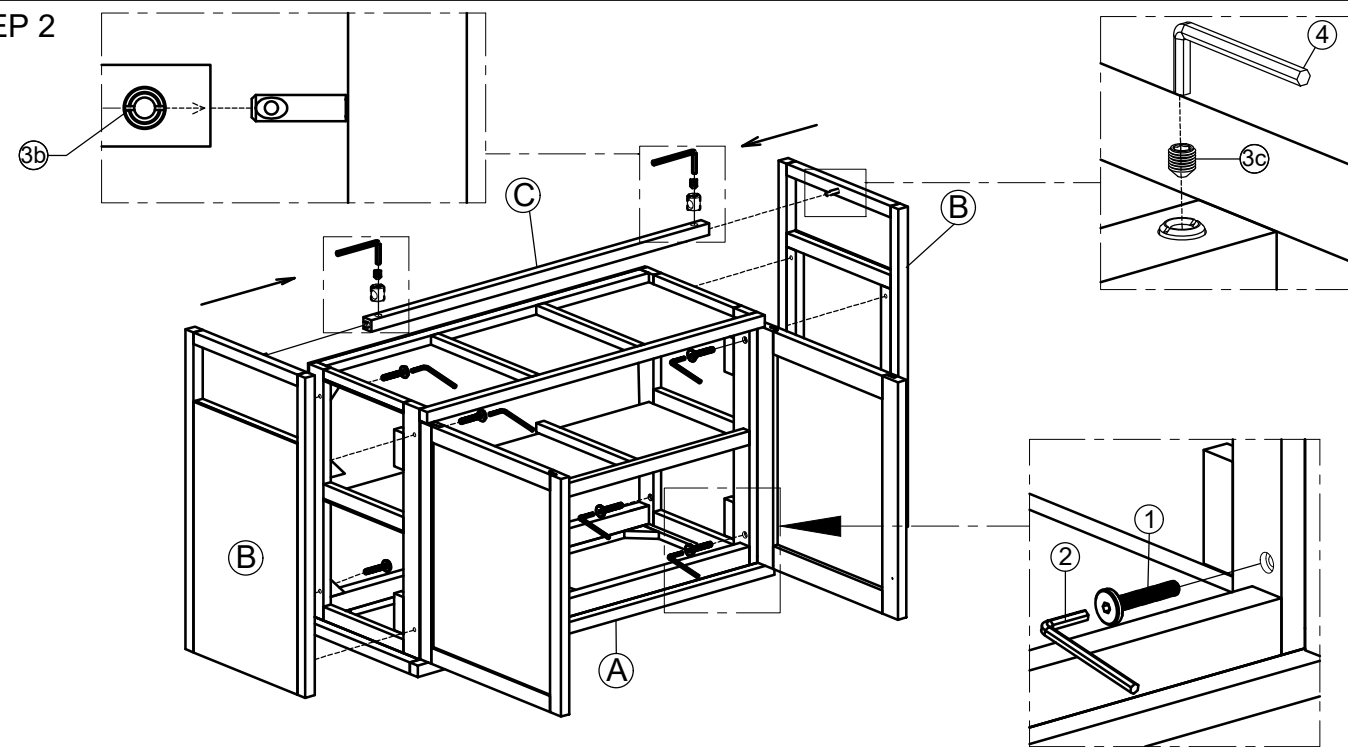
No	PARTS NAME	Q.ty (pcs)
(A)	 Cabinet	1
(B)	 Side Frame(Left - Right)	2
(C)	 Stretcher	1

STEP 1



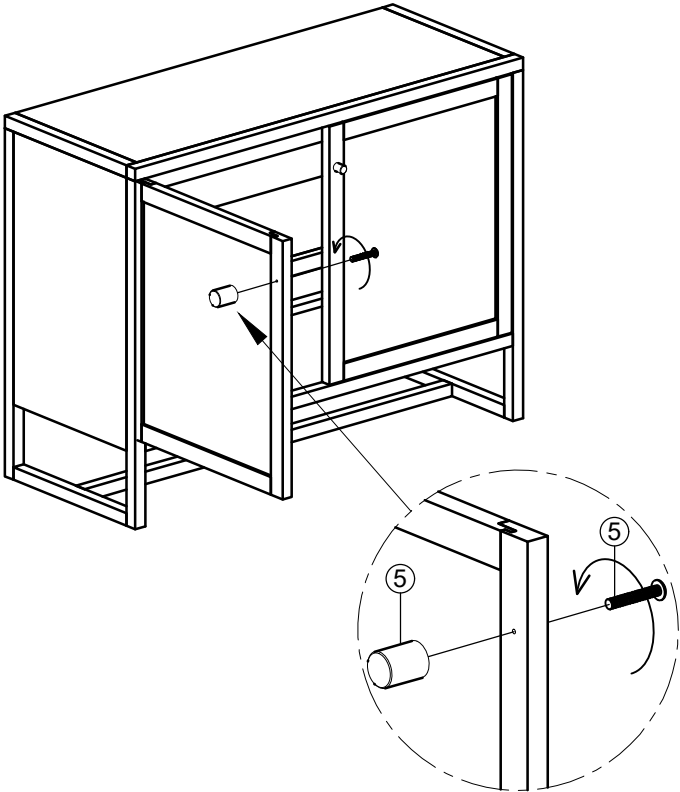
No	LIST OF HARDWARE	FIG	Q.ty (pcs)
(1)	Bolts M6x35		8
(2)	Allen key K4		1
(3)	Connecting system	 3a  3b  3c	2sets
(4)	Allen key K5		1
(5)	Handle with bolt		2 sets
(6)	Screws Ø4x20		2
(7)	Brackets		2
(8)	Ties		1
Screwdriver (not included)			

STEP 2

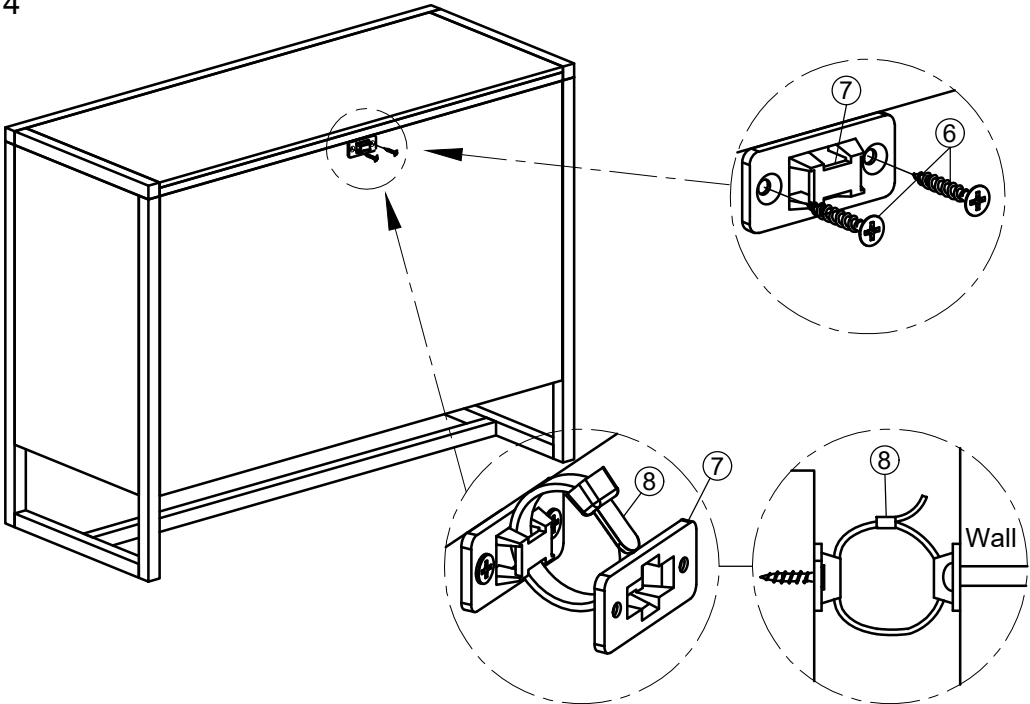


ASSEMBLY INSTRUCTION CUPBOARD

STEP 3



STEP 4



FINAL

