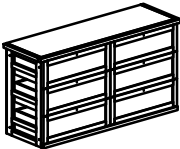
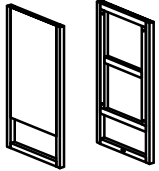

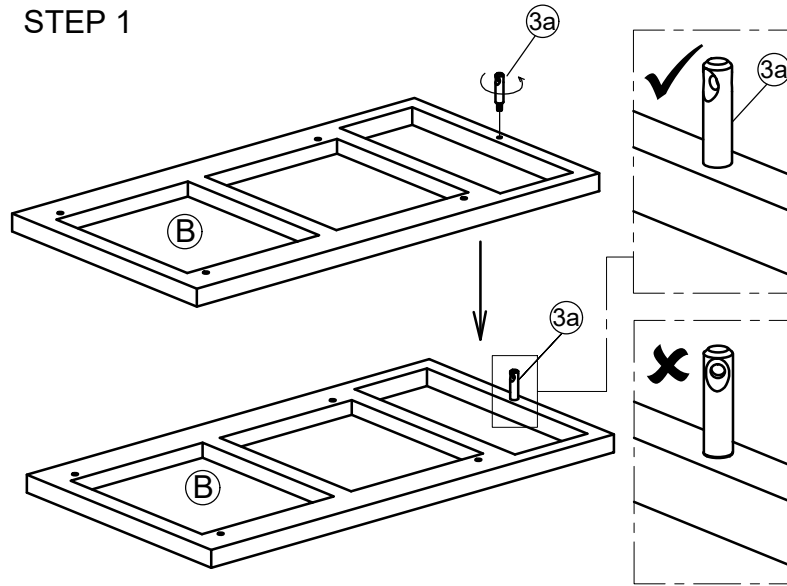


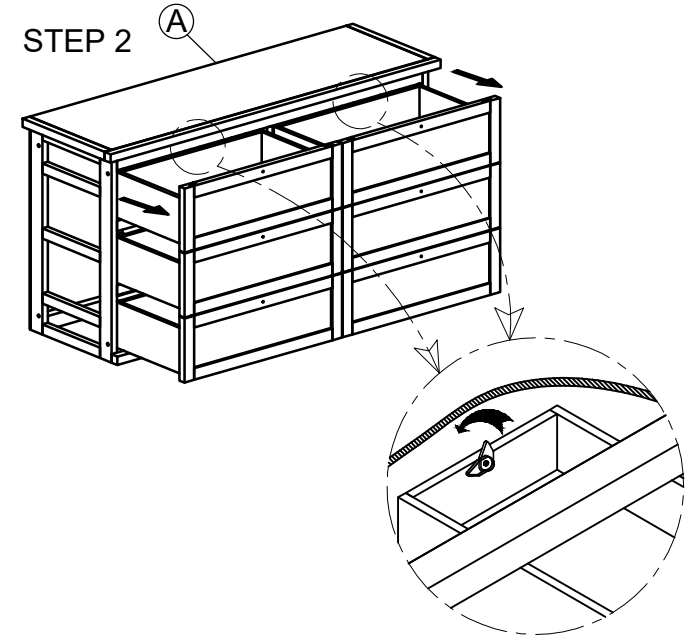
ASSEMBLY INSTRUCTION 6 DRAWERS CHEST


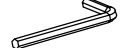



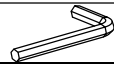




No	PARTS NAME	Q.ty (pcs)
(A)	Cabinet 	1
(B)	Side Frame(Left - Right) 	2
(C)	Stretcher 	1

STEP 1

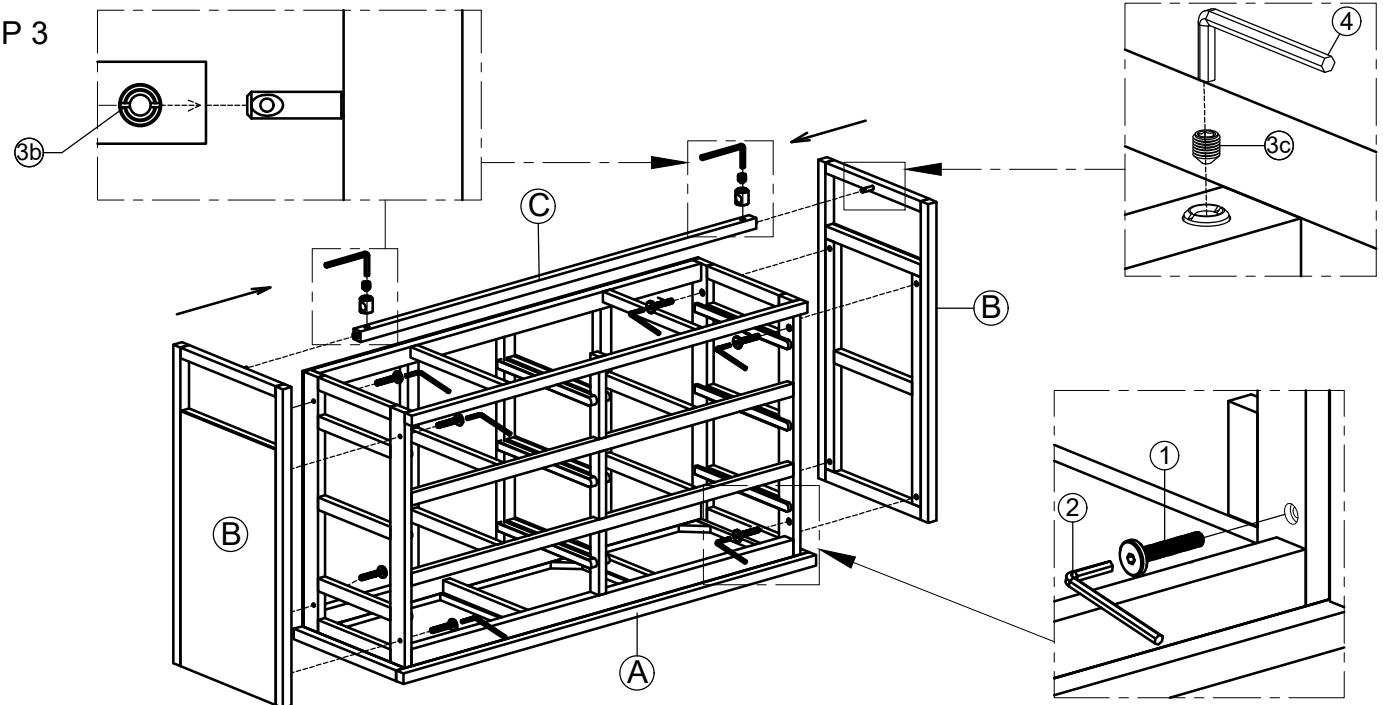



STEP 2



No	LIST OF HARDWARE	FIG	Q.ty (pcs)
(1)	Bolts M6x35 		8
(2)	Allen key K4 		1
(3)	Connecting system	 3a	2sets
		 3b	
		 3c	
(4)	Allen key K5 		1
(5)	Handle with bolt 		6 sets
(6)	Screws Ø4x20 		2
(7)	Brackets 		2
(8)	Ties 		1

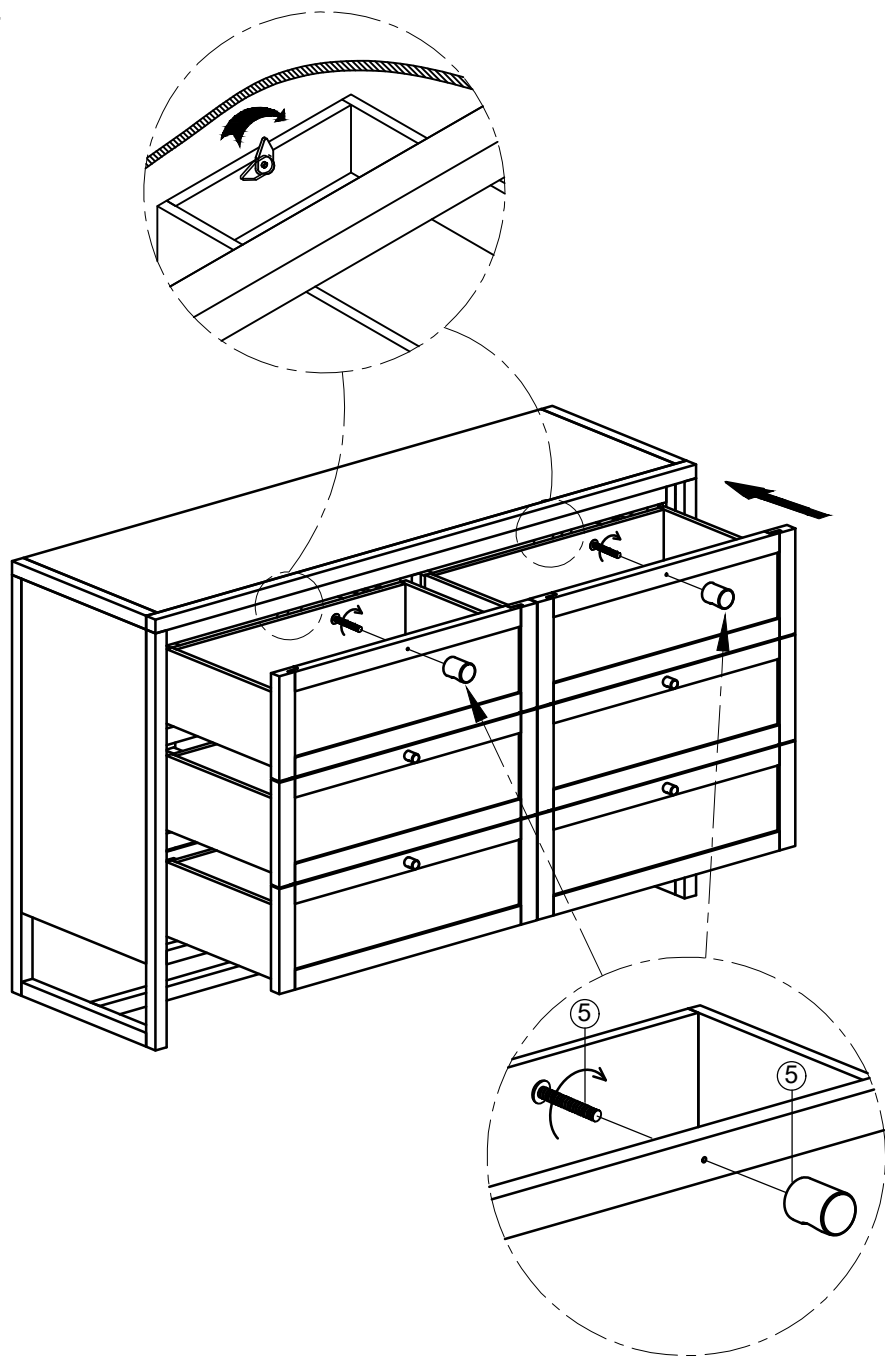
STEP 3



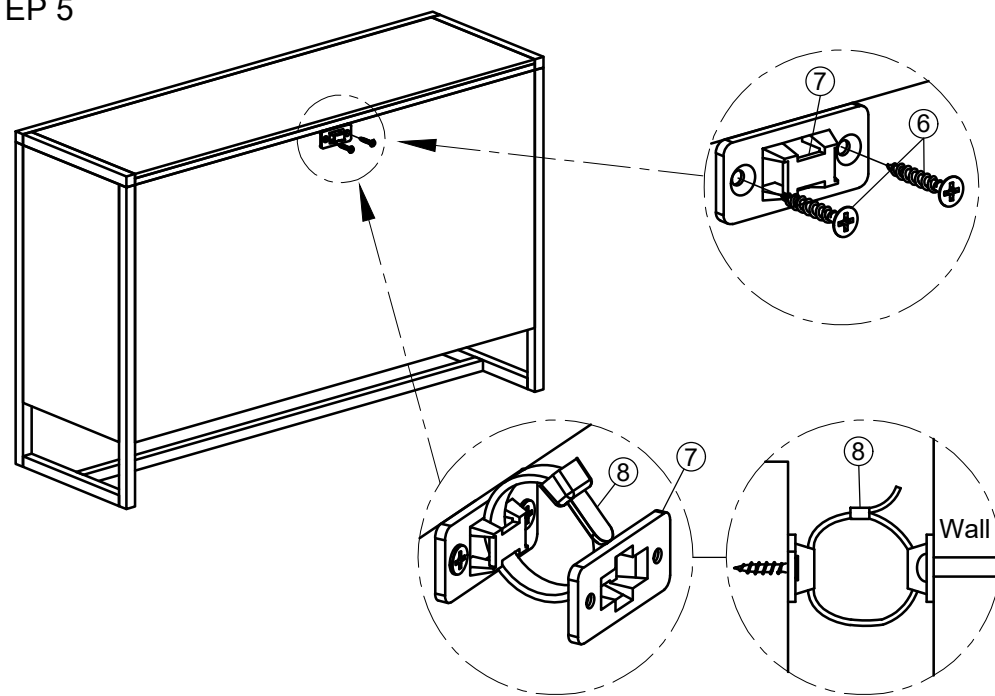
Screwdriver (not included) 
--

ASSEMBLY INSTRUCTION 6 DRAWERS CHEST

STEP 4



STEP 5



FINAL

