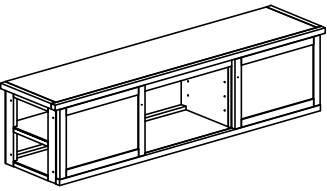
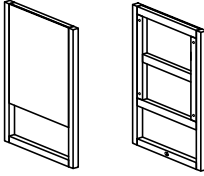

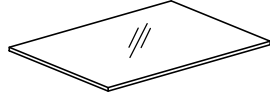








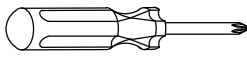
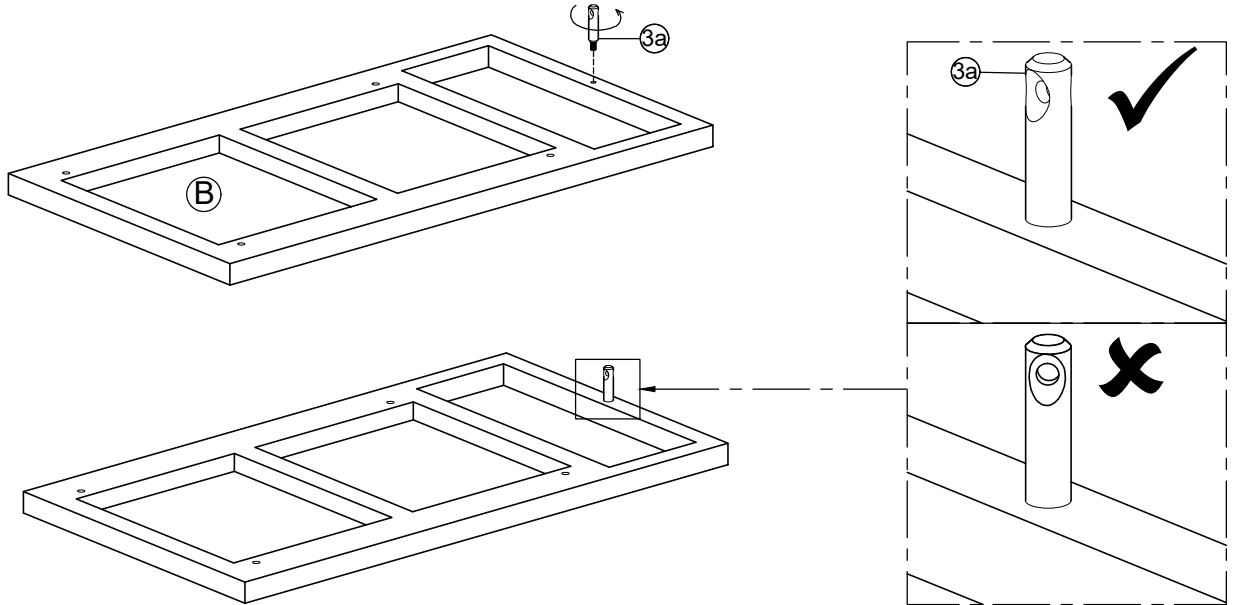


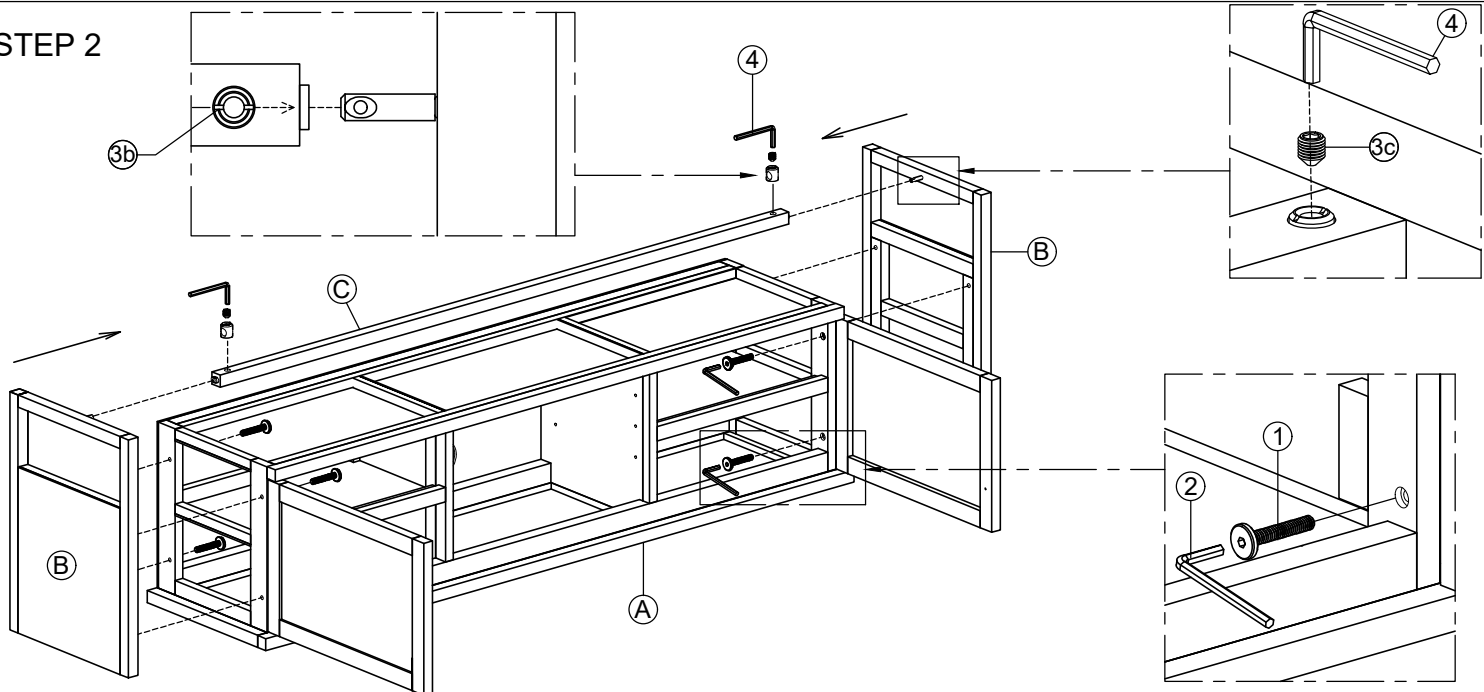
# ASSEMBLY INSTRUCTION SMALL TV UNIT

No	PARTS NAME	Q.ty (pcs)
(A)	 Cabinet	1
(B)	 Side frame (Left - Right):	2
(C)	 Stretcher	1
(D)	 Glass Shelf	1
No	LIST OF HARDWARE	Q.ty (pcs)
①	Bolts M6x35 	8
②	Allen key K4 	1
③	Connecting system   	2 Sets
④	Allen key K5 	1
⑤	Shelve support 	4
⑥	Handle with bolt 	2 Sets
Screwdriver (not included) 		

## STEP 1

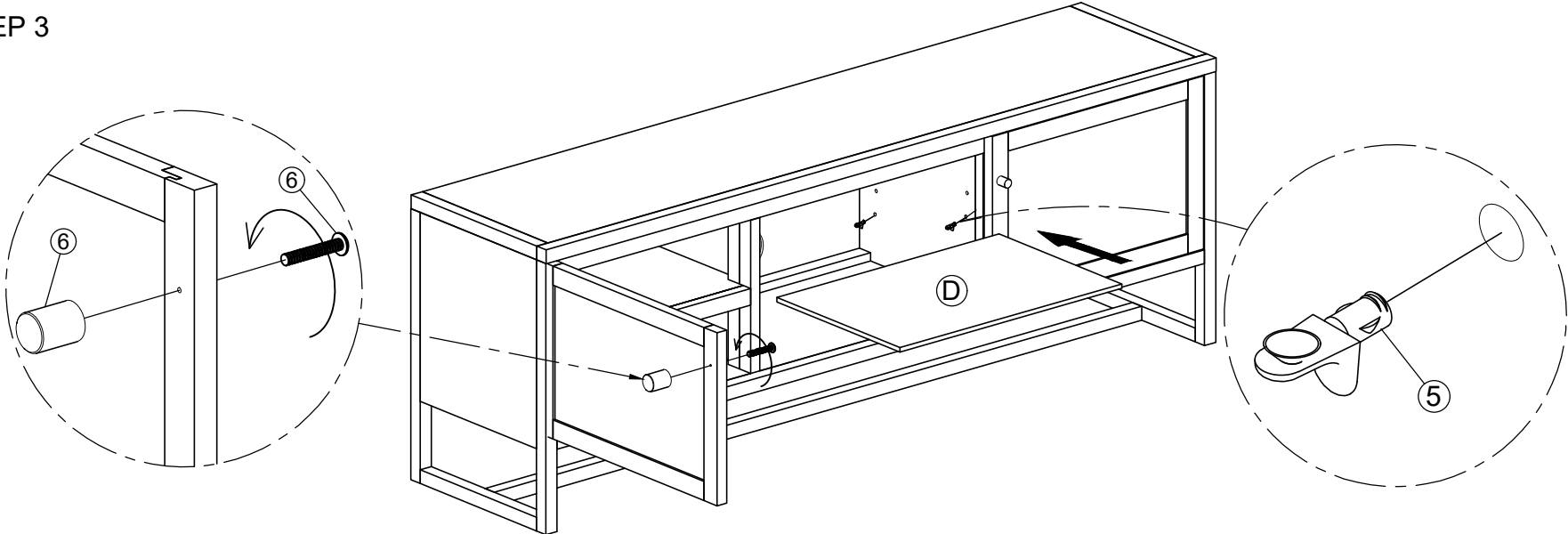


## STEP 2



# ASSEMBLY INSTRUCTION SMALL TV UNIT

## STEP 3



## FINAL

