














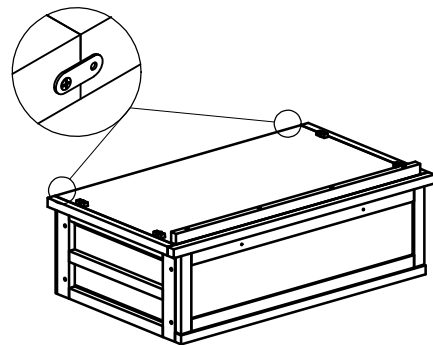


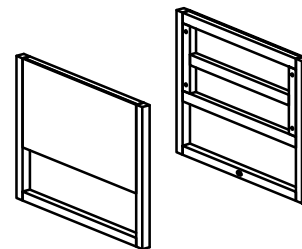
ASSEMBLY INSTRUCTION GENTS WARDROBE

No	LIST OF HARDWARE	FIG	Q.ty (pcs)
①	Bolts M6x35		8
②	Allen key K4		1
③	Connecting system	 3a	2 sets
		 3b	
		 3c	
④	Allen key K5		1
⑤	Handle with bolt		4 sets
⑥	Hinge sets	 6a	6 sets
		 6b	
⑦	Flats head screw Ø3.5x15		12
⑧	Scew 5x18		8
⑨	Screws Ø4x35		14
⑩	Screws Ø4x20		4
⑪	Brackets		2
⑫	Ties		1

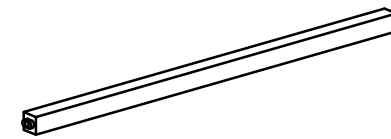
Screwdriver (not included) 



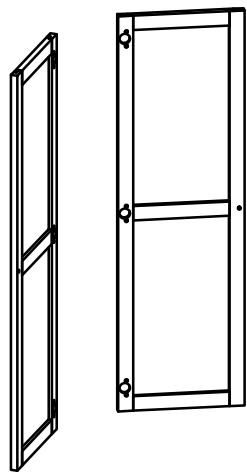
A Base: x 1



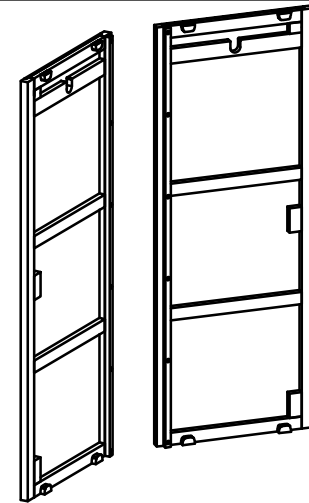
B Side frame base (Left - Right): x 2



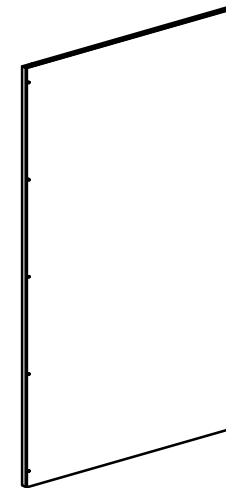
C Stretcher : x 1



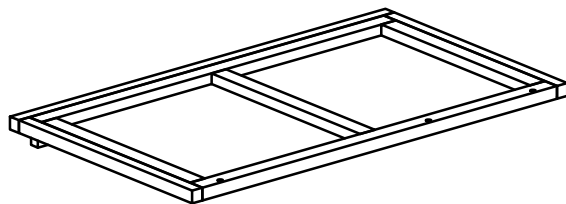
D Door (Left - Right): x 2



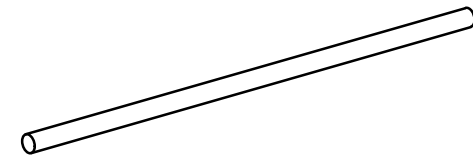
E Side frame top (Left - Right): x 2



F Back Frame: x 1



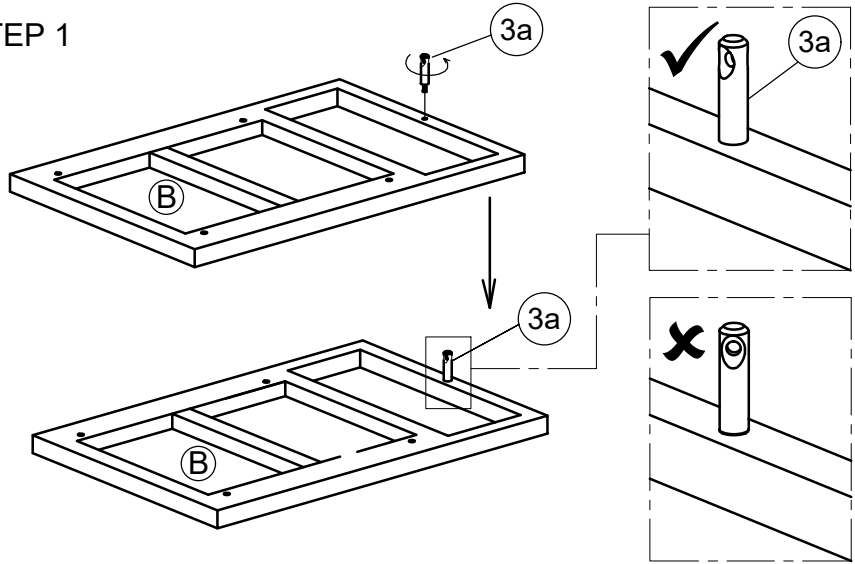
G Top frame: x 1



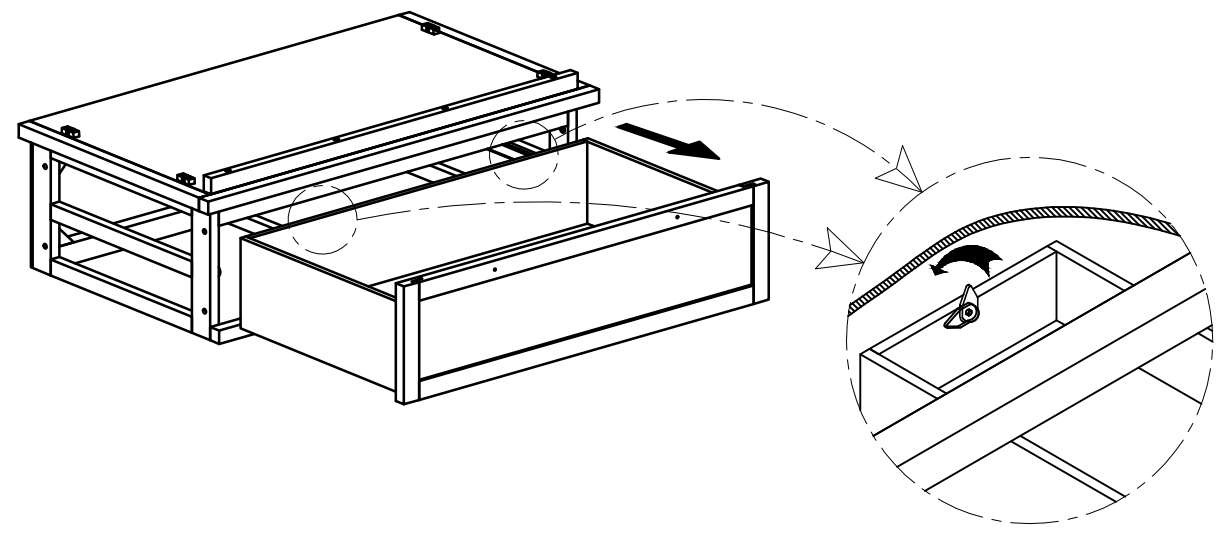
H Hanging rail: x 1

ASSEMBLY INSTRUCTION GENTS WARDROBE

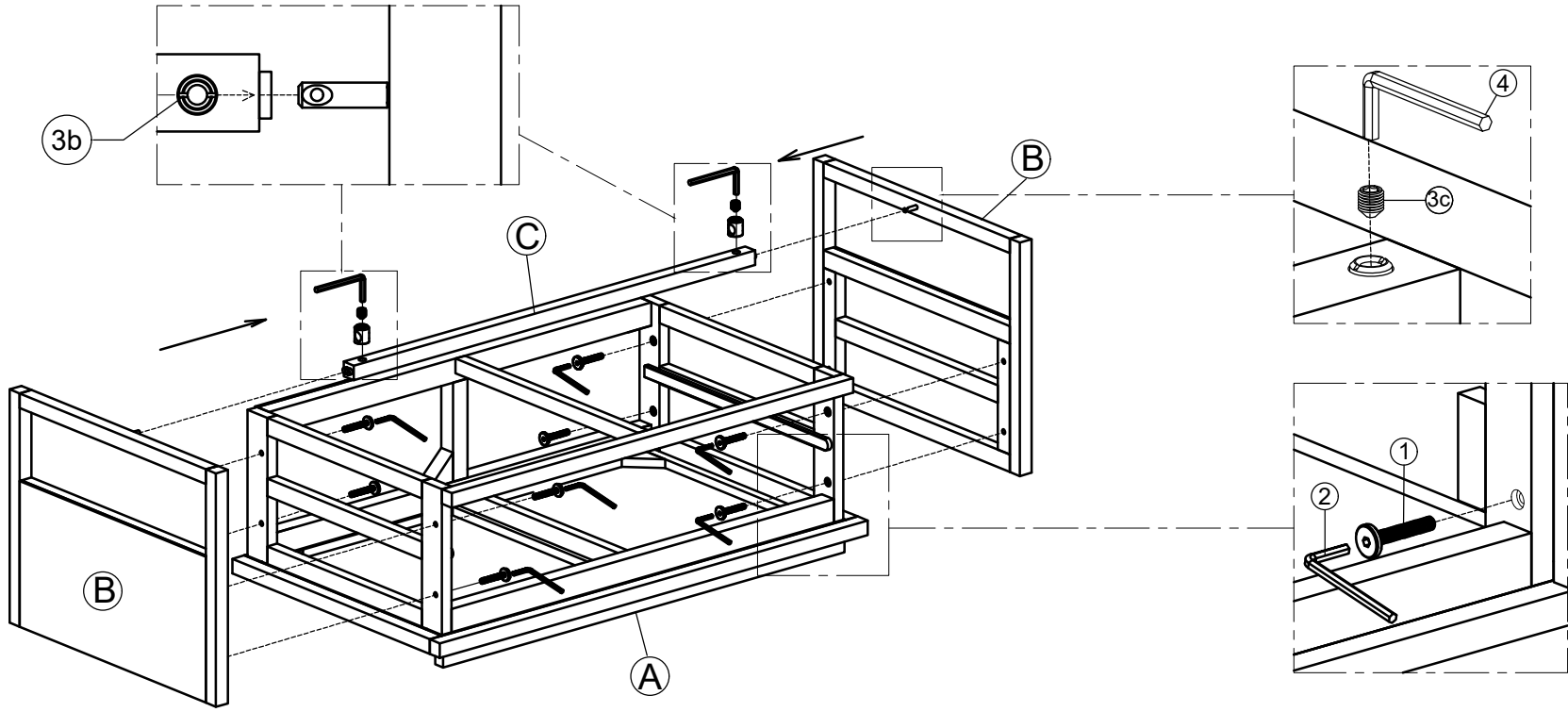
STEP 1



STEP 2

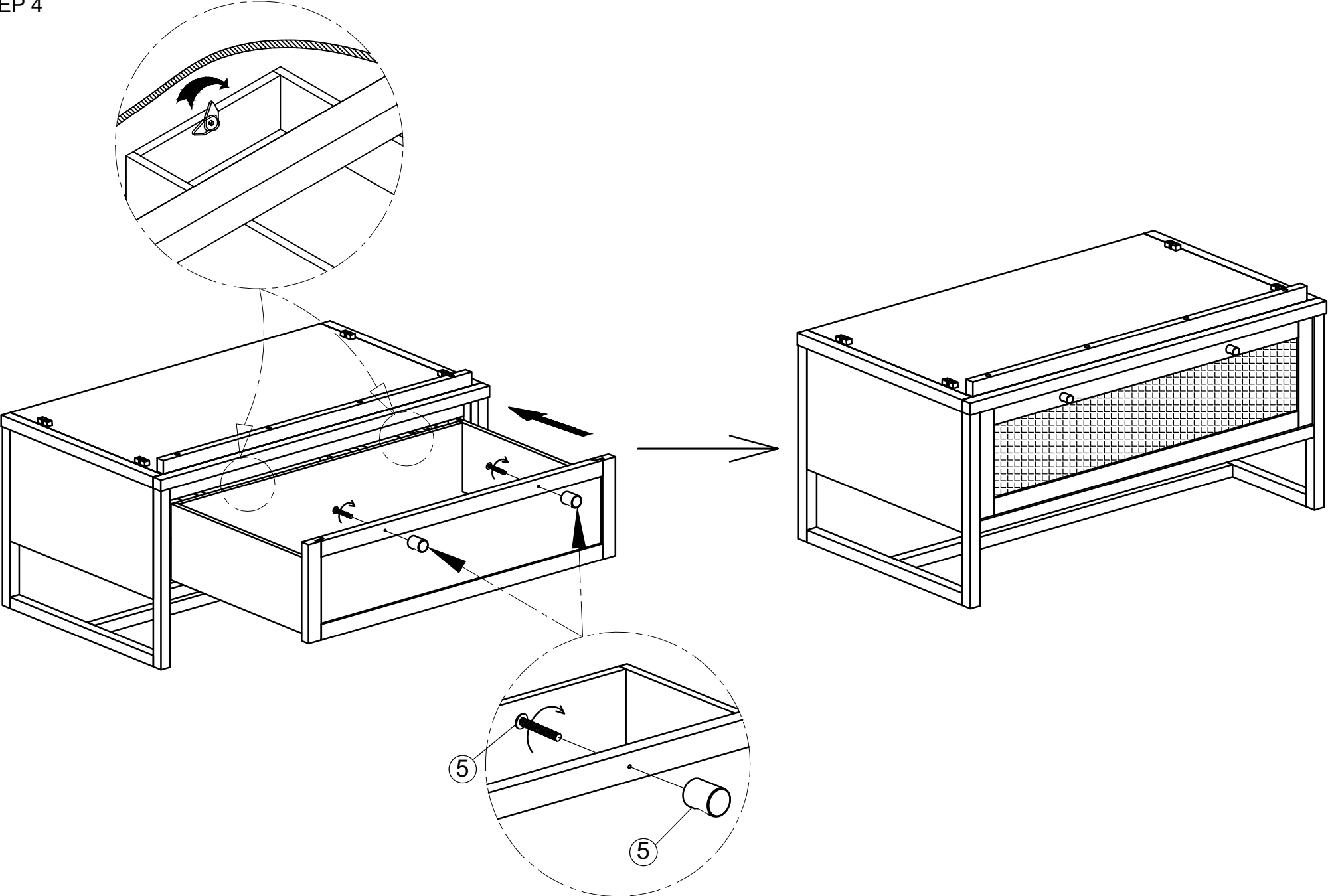


STEP 3



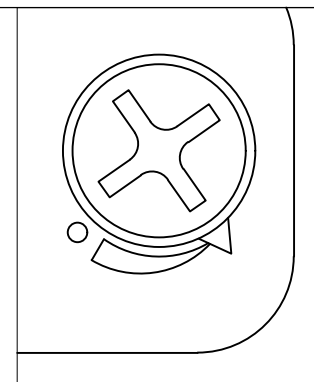
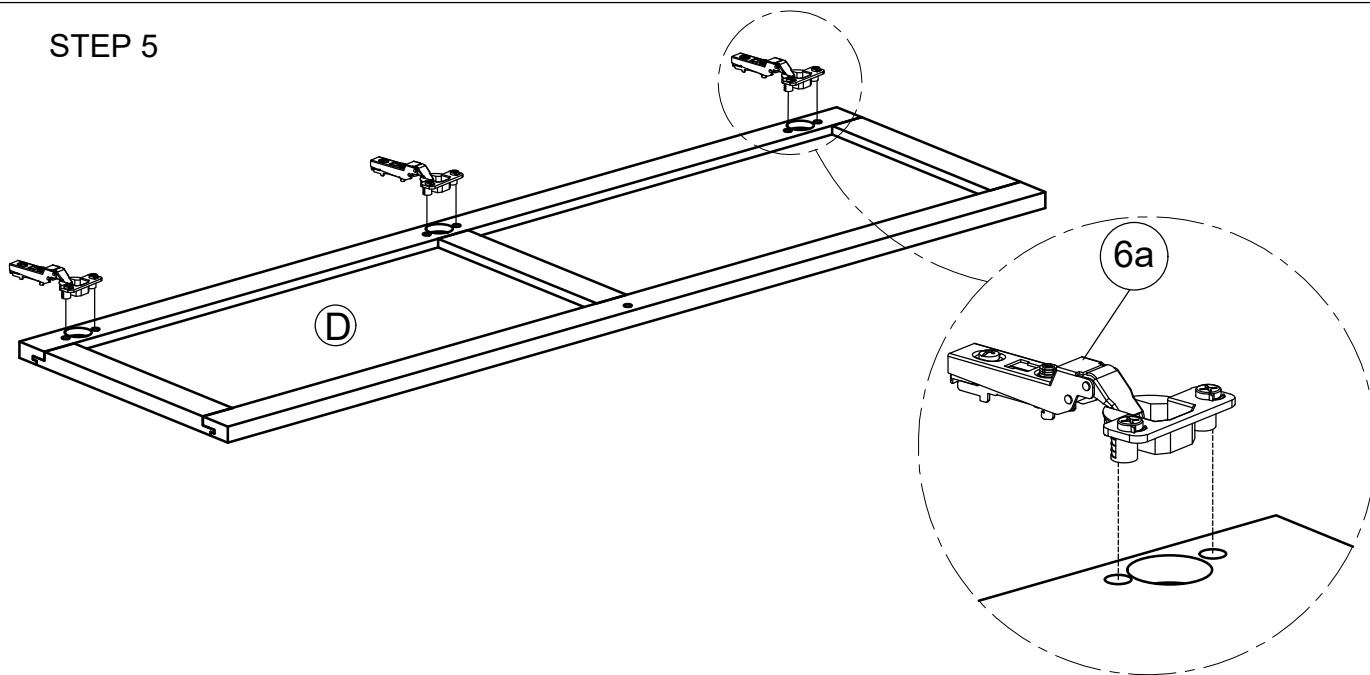
ASSEMBLY INSTRUCTION
GENTS WARDROBE

STEP 4

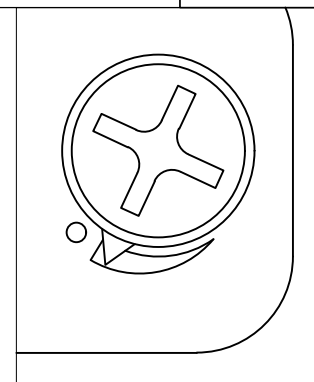


ASSEMBLY INSTRUCTION GENTS WARDROBE

STEP 5

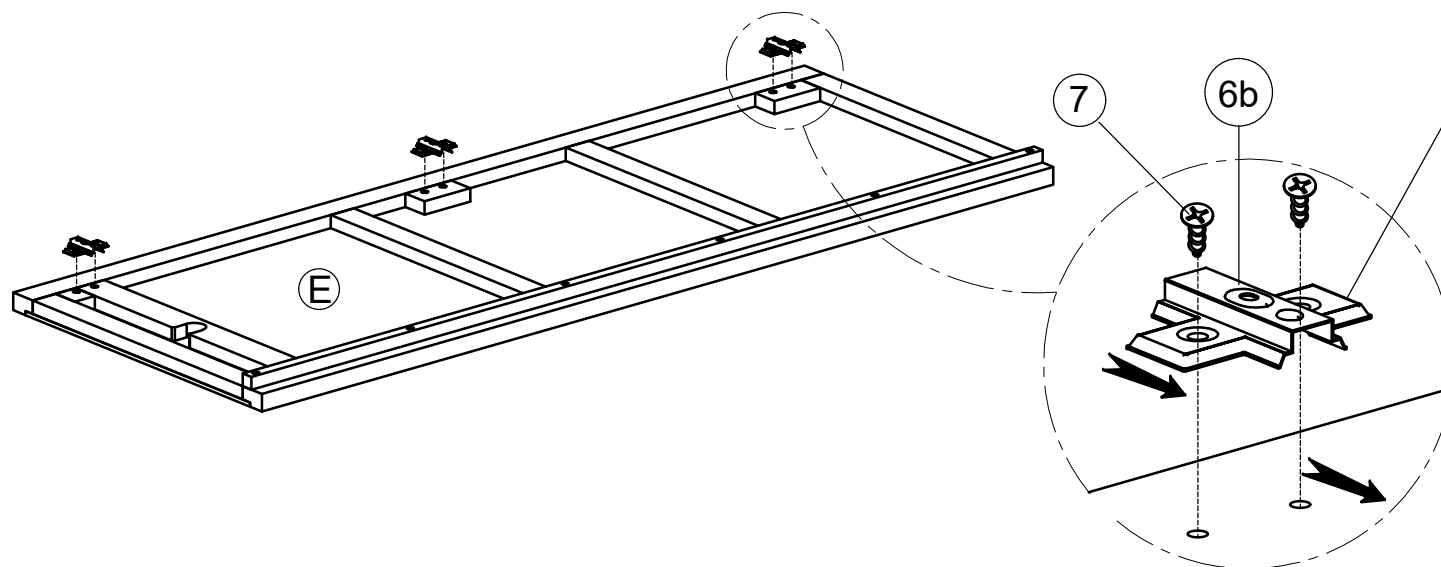


Unlock



Lock

NOTE:
Turn screws in a clockwise motion
to secure the hinges in place



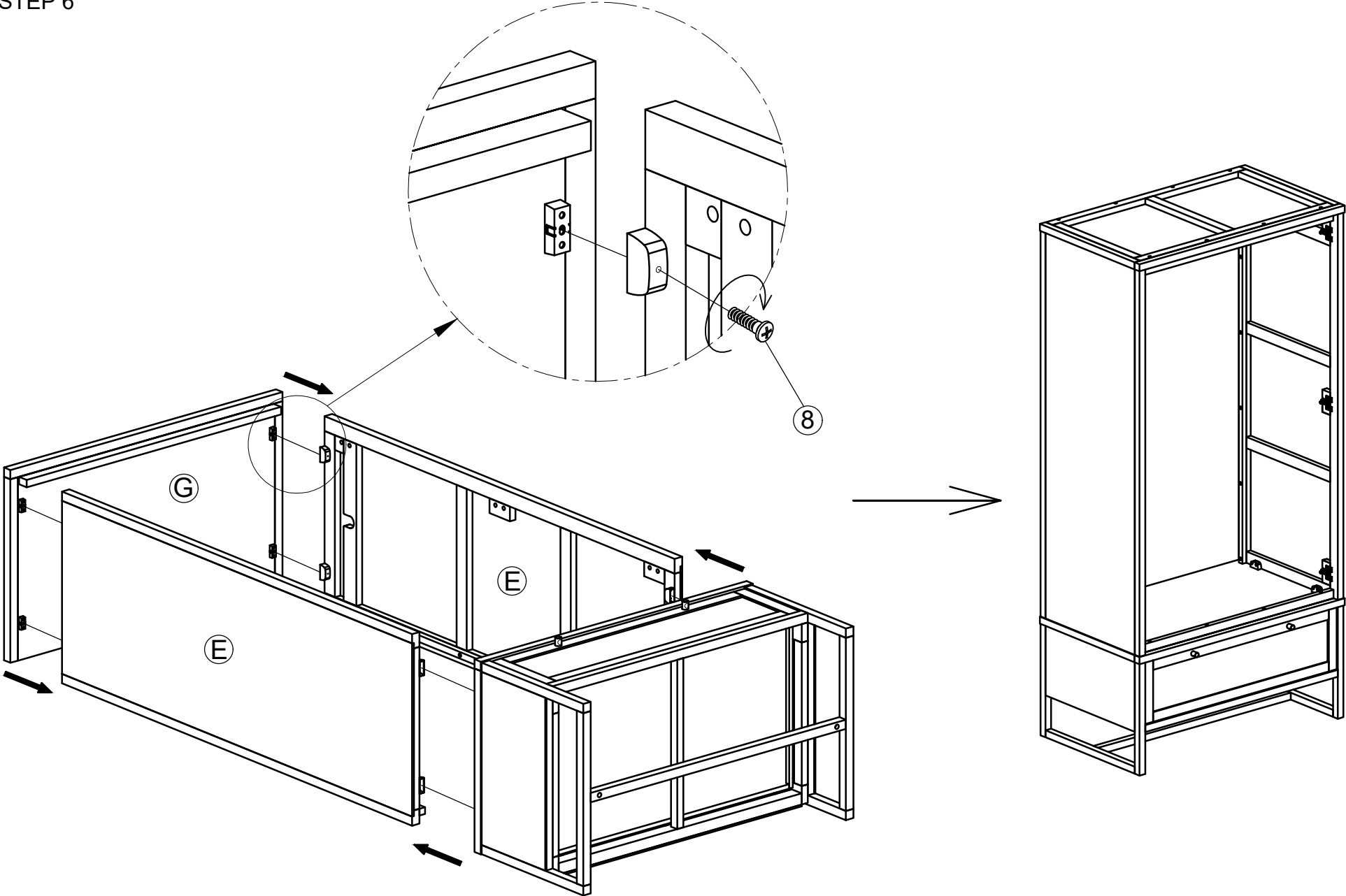
This way

Wrong way



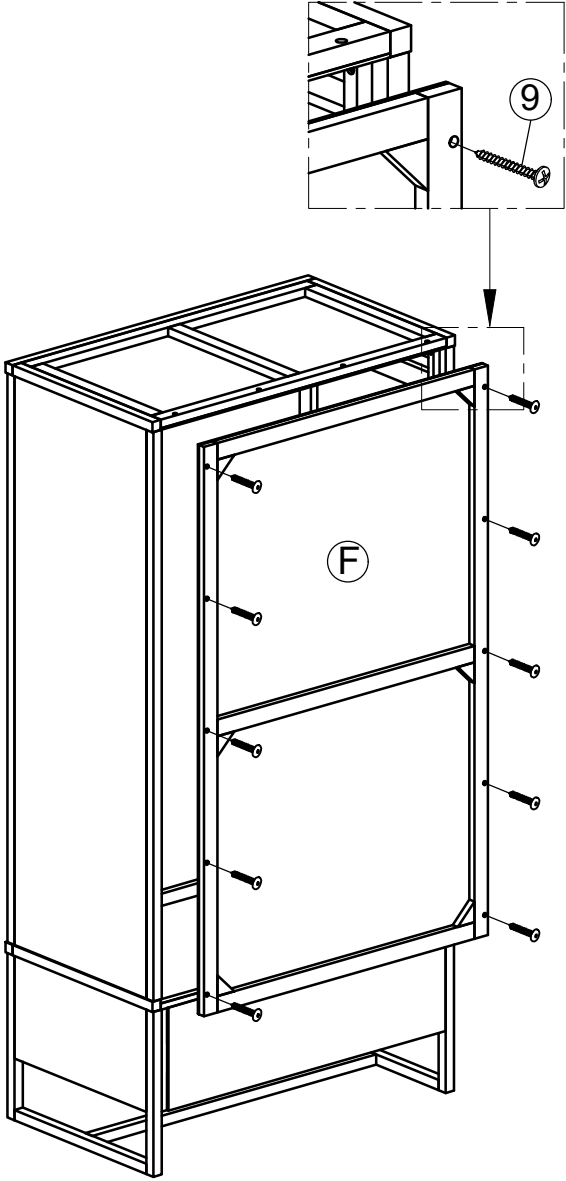
ASSEMBLY INSTRUCTION GENTS WARDROBE

STEP 6

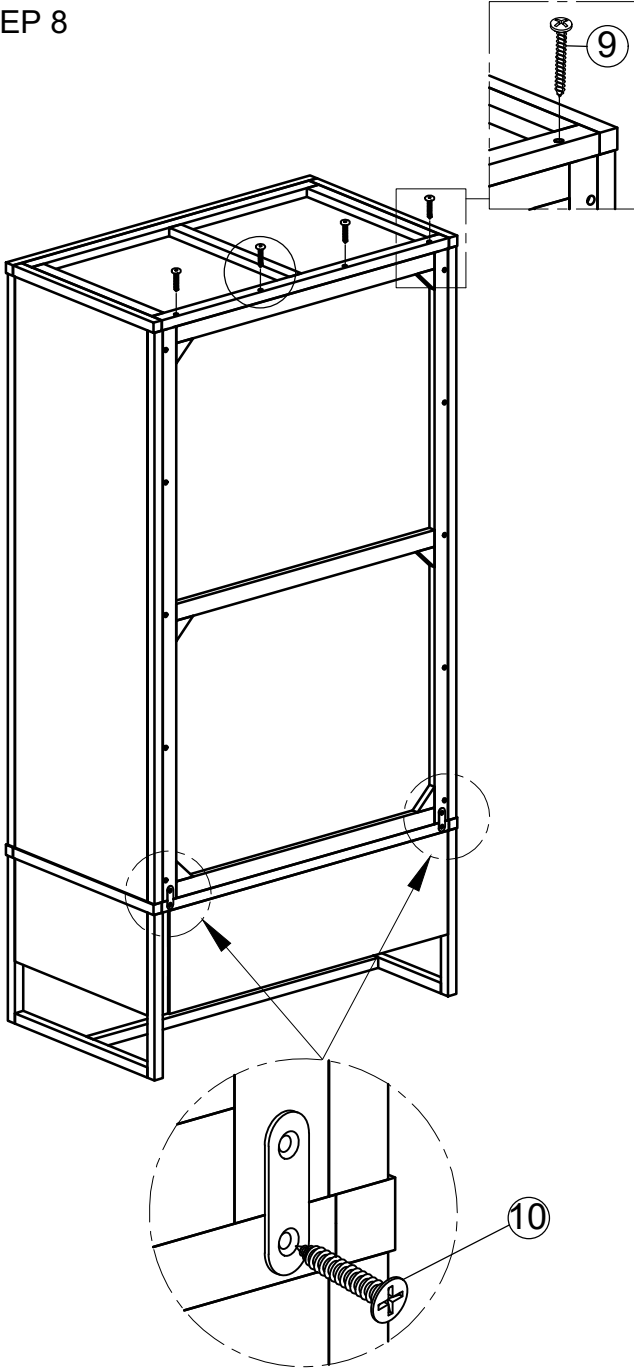


ASSEMBLY INSTRUCTION GENTS WARDROBE

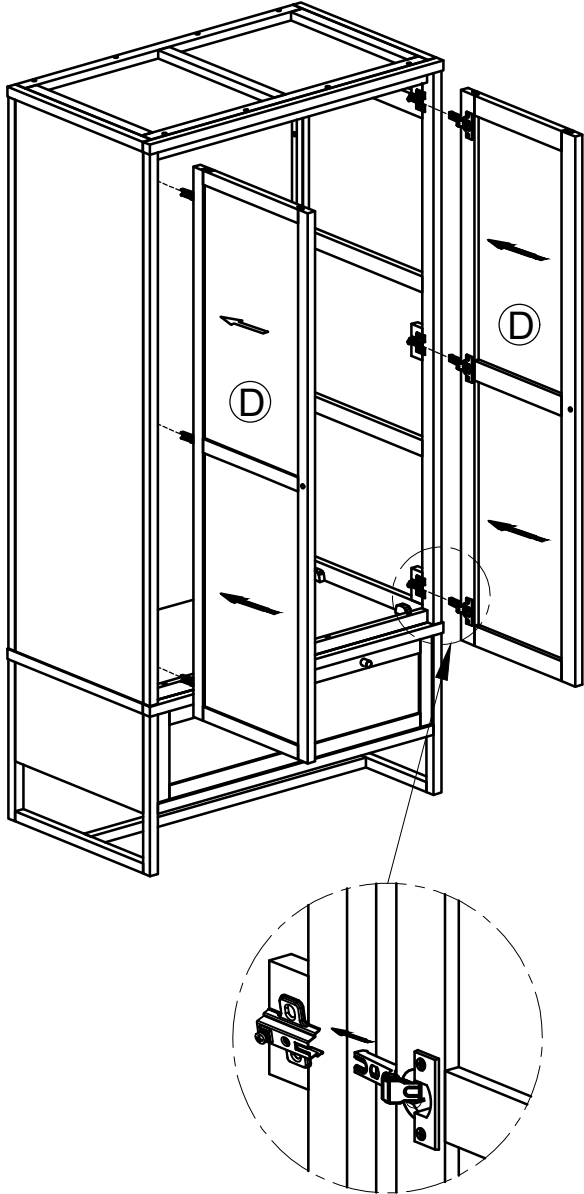
STEP 7



STEP 8

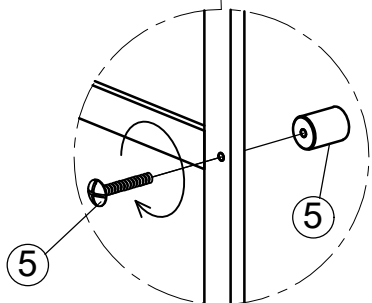
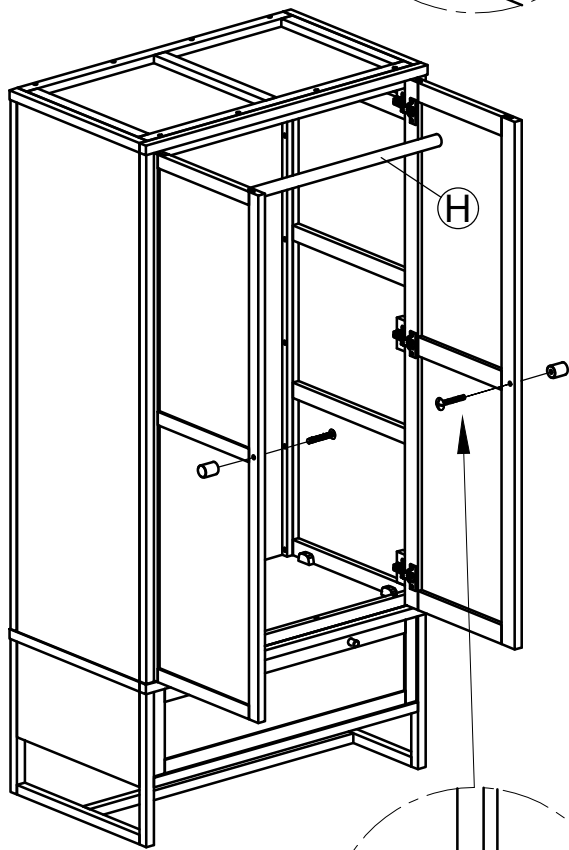
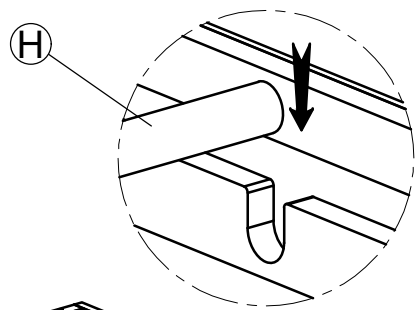


STEP 9

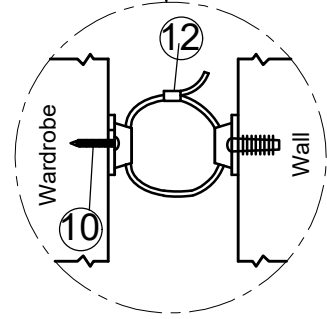
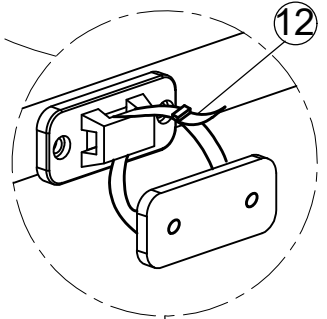
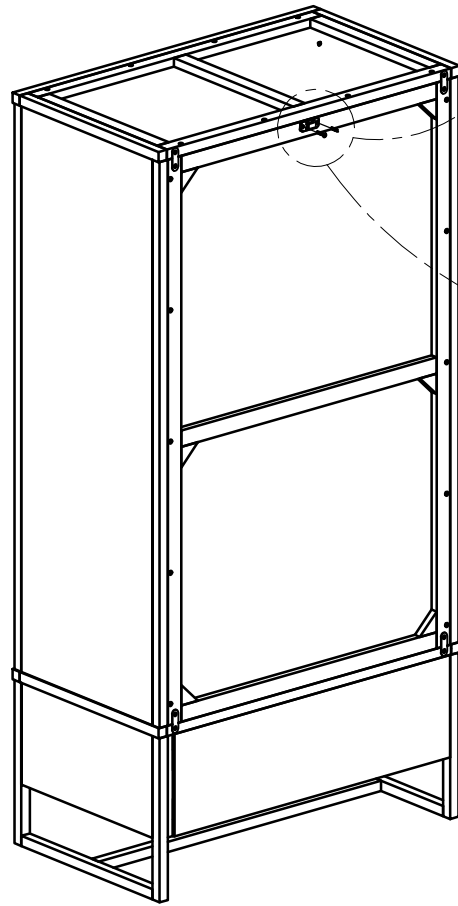
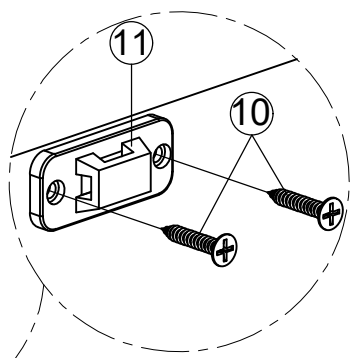


ASSEMBLY INSTRUCTION GENTS WARDROBE

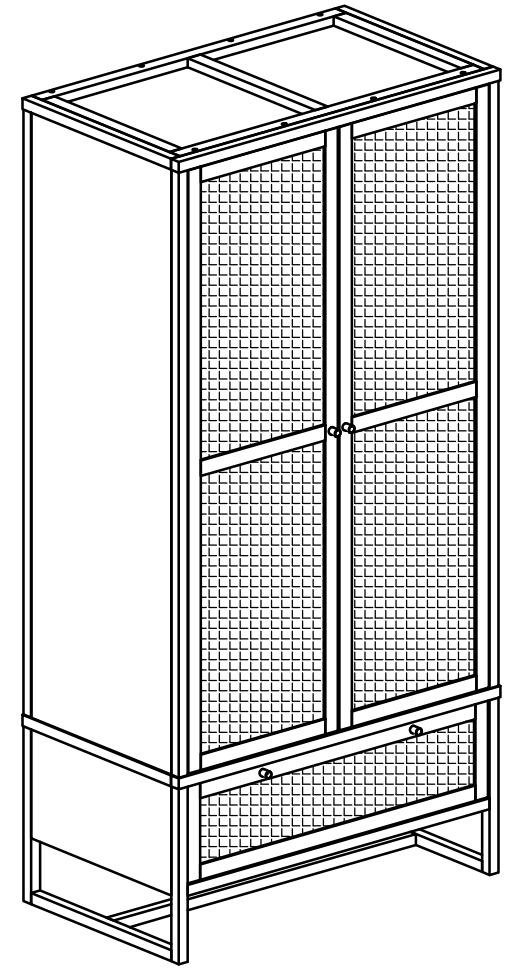
STEP 10



STEP 11



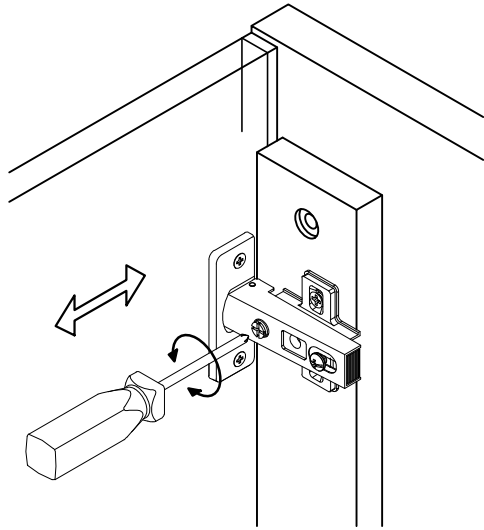
FINAL



HINGE ADJUSTMENT INSTRUCTIONS

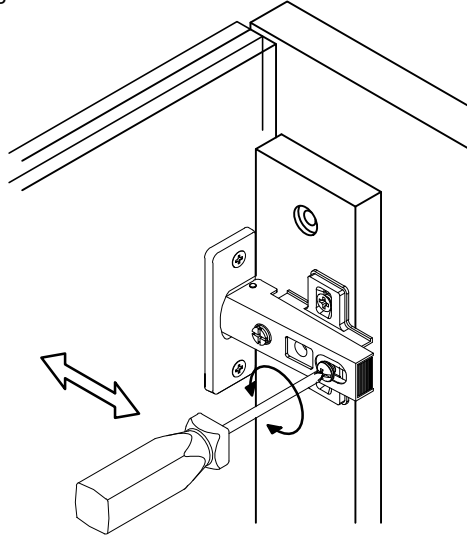
LATERAL ADJUSTMENT

by screw adjustment.



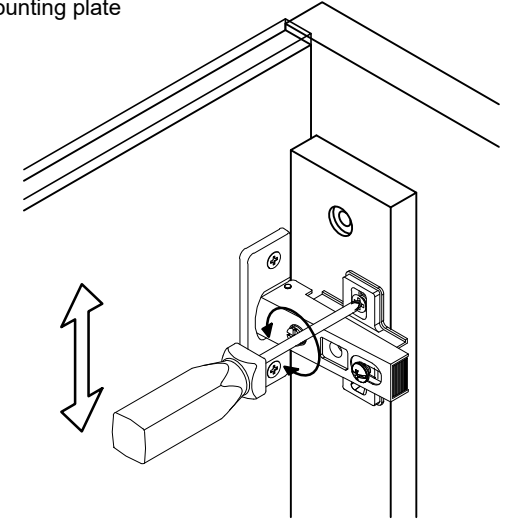
FRONT-TO-BACK

by slackening and retightening the hinge-arm mounting screw.

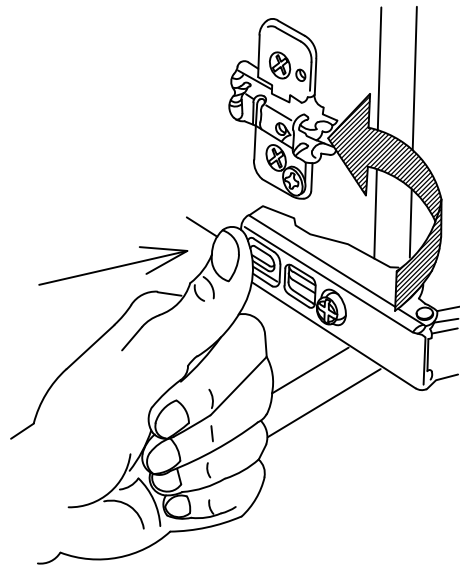


VERTICAL ADJUSTMENT

via slots on mounting plate by slackening and retightening the screws on mounting plate



ASSEMBLY



DISASSEMBLY

