

# Assembly Instructions








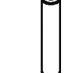
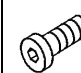

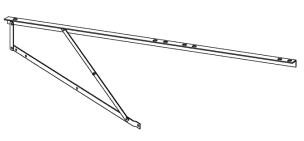
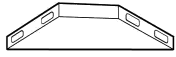
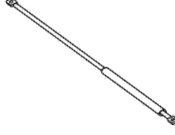
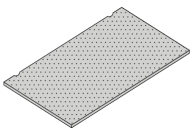
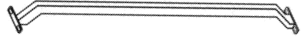
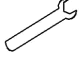

Hand Crafted Furniture

Code: MD005

Hardware list includes factory installed bolts and washers for side rails attachment.

(\* bolts are fixed to the Headboard/ footboard/ side rails)

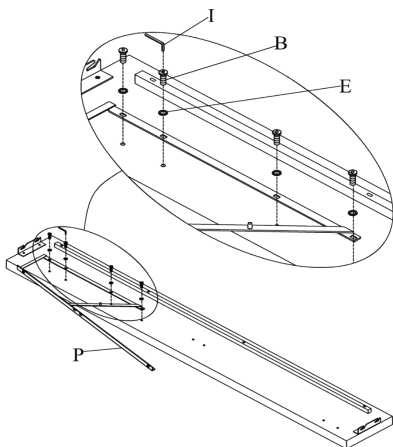
Note: please find fittings in the carton fastened behind the headboard.

B	C	D	E	E2	F	I	J	M	O	P
										
Bolt	Bolt	Washer	Washer	Spring	Plastic Leg	Allen Wrench	Center support leg	Bolt		
Φ8*30MM	Φ8*40MM	Φ6MM	Φ8MM	Φ8MM	H=2.5CM	Φ8MM	H=5CM	Φ6*40MM	Center support rail	Lift up frame
32 PCS	10 PCS	1 PC	42 PCS	42 PCS	4 PCS	1 PC	1 PC	1 PC	1 PC	2 PCS
Q	R	S		U			Y	Z		
										
Bracket	Lift up support	Storage-board		Slat system support			Wrench	Nut		
2 PCS	2 PCS	2 PCS		1 PC			1 PC	4 PCS		

## Assembly Steps:

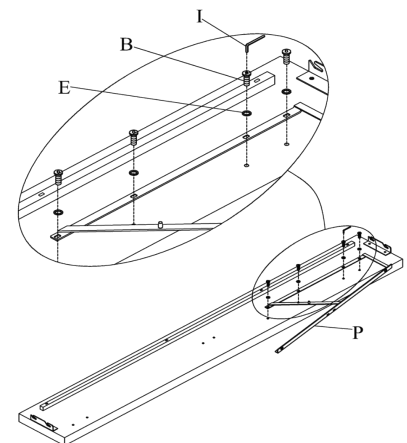
### Step#1

Attach lift up Arms (P) to the side rails using Wrench (I), Bolt (B) and Washer (E).



Left Side Rails

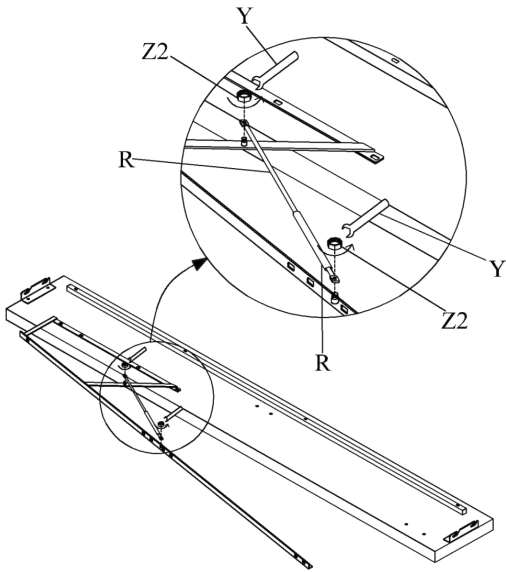
\* Bolt(B) and Washer(E) are fixed to the Side rails, Please remove them before you install. \*



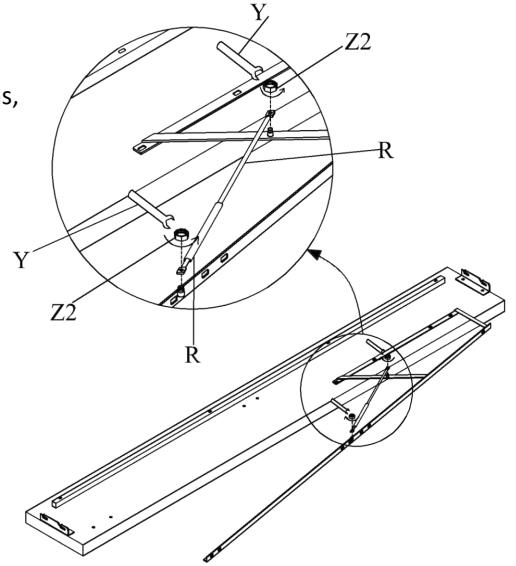
Right Side Rails

## Step#2

Attach hydraulic rod (R) to connect the lift up Arms. Tighten/secure Nut (Z) using Wrench (Y) until snug.

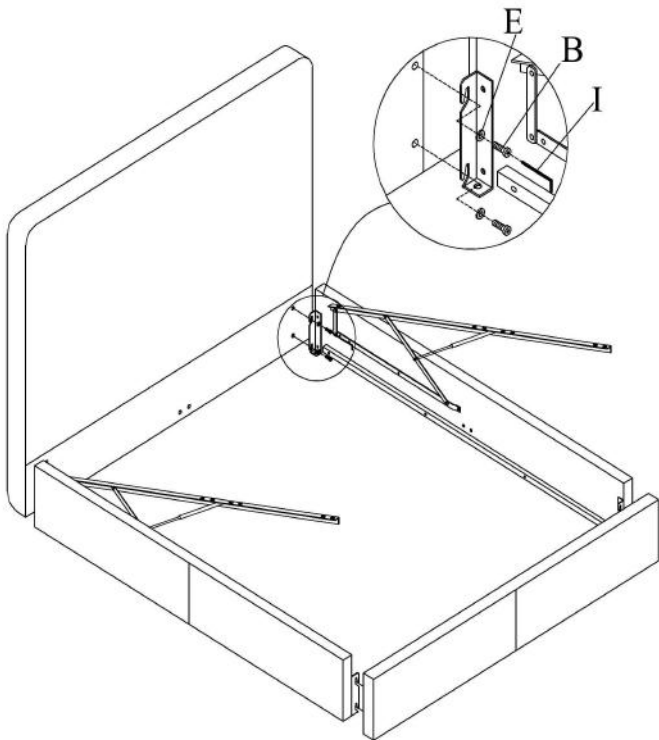


\* Nut(Z<sub>2</sub>)are fixed to the Arms,  
Please remove them before  
you install.\*



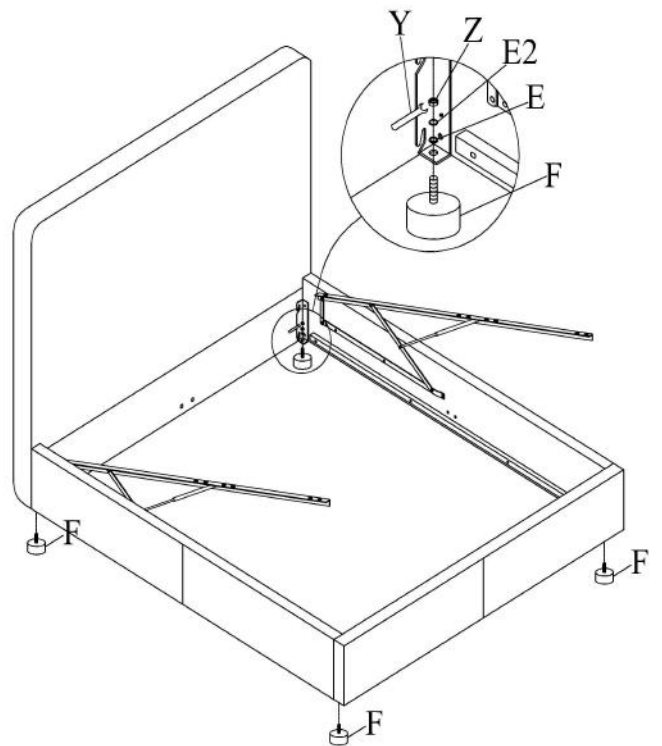
## Step#3

Loosen Bolt (B) & Washer (E), attach side Rails to headboard and footboard using Wrench (I), Bolt (B) and Washer (E).



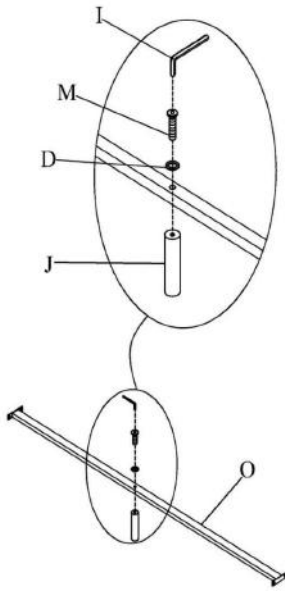
## Step#4

Attach bed legs (F) to the Bracket, Tighten/secure Nut (Z) using Wrench (Y) until snug.



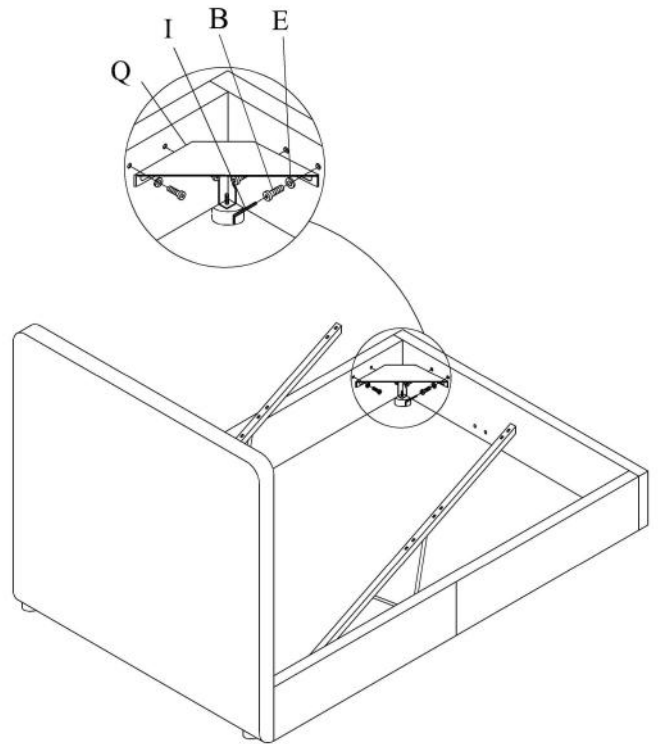
### Step#5

Attach center support legs (J) to the Center Support (O) using Wrench (I), Bolt (M) and Washer (D).



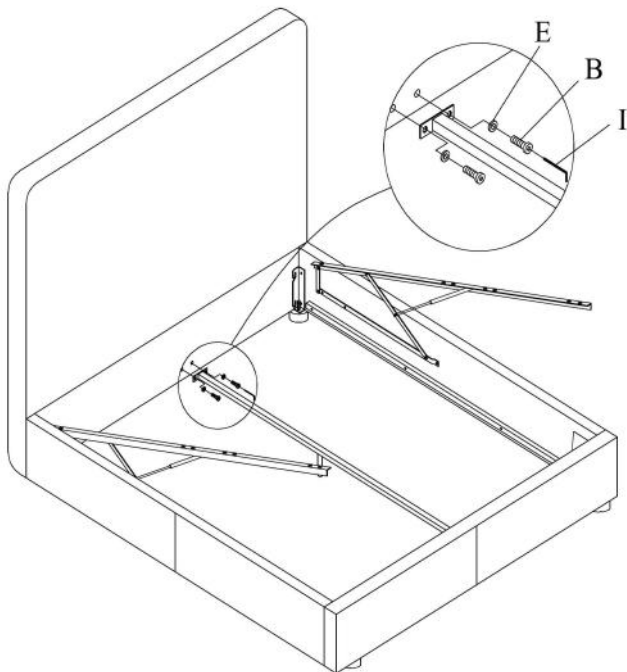
### Step#6

Loosen Bolt (B) & Washer (E), attach angle bracket to rails & footboard using Wrench (I), Bolt (B) and Washer (E).



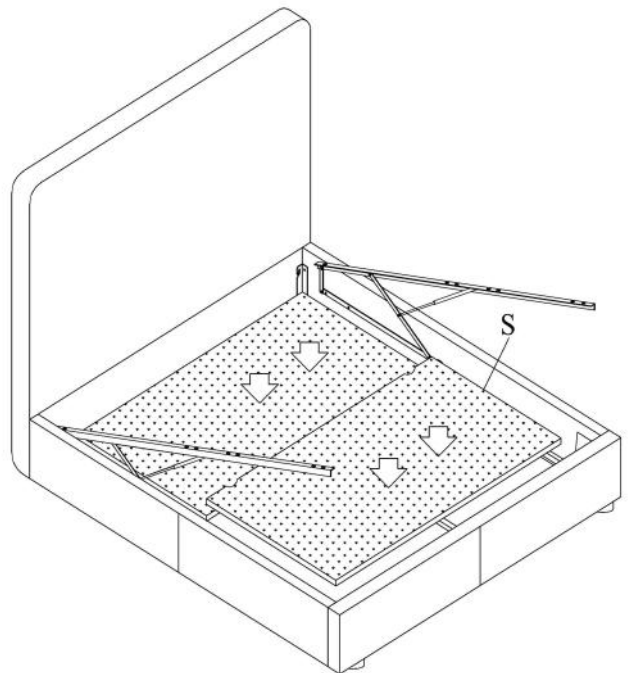
### Step#7

Remove Bolt (B) & Washer (E) on the middle of headboard & footboard, attach steel center support (O) to the headboard and footboard using Bolt (B) and washer (E).



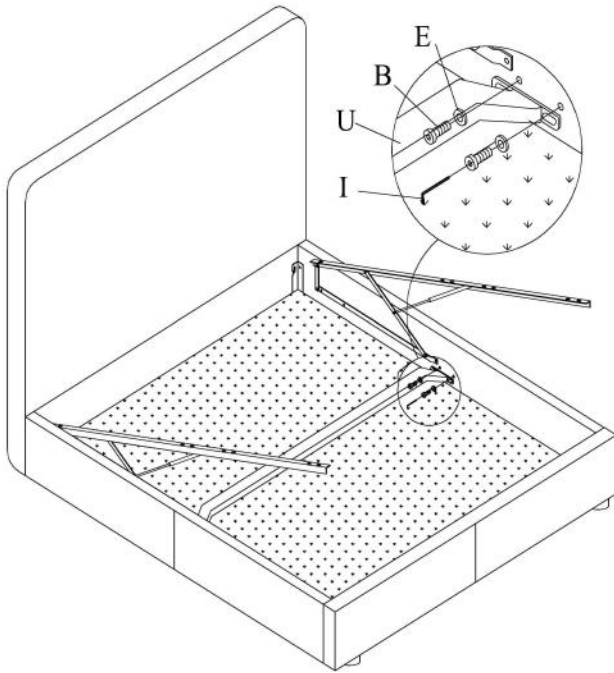
### Step#8

Put storage board (S) on the support rails.



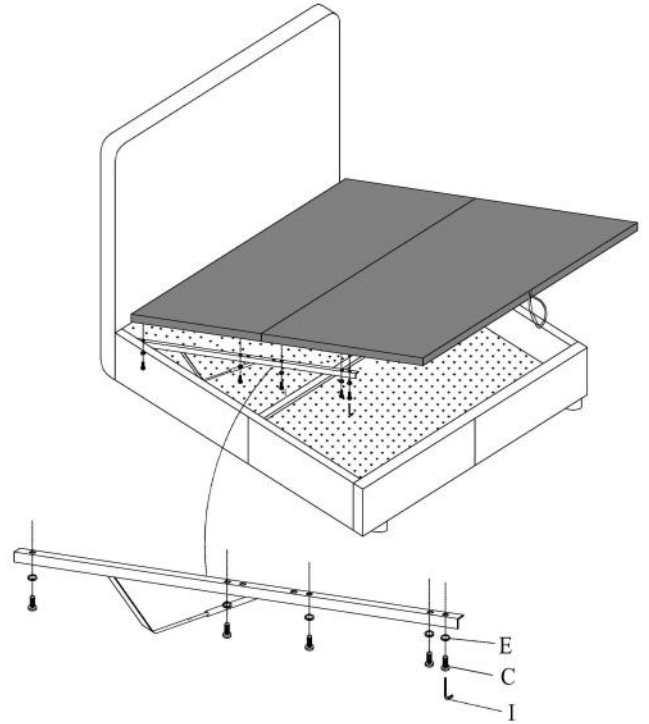
### Step#9

Remove Bolt (B) & Washer (E) on the middle of side rails, Attach center support Rails (U) to the side rails using Wrench (I), Bolt (B) and Washer (E).



### Step#10

Put Base-board on the lift arms, attach Base-board and arms using Wrench (I), Bolt (C) and Washer (E). Please align the hole position of the support arms before locking the base-board.



Move/place bed into final position in bedroom.  
Verify the board base are inserted properly into lift up frame

### Overall View

