

# Assembly Instructions




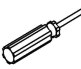





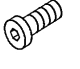
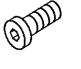



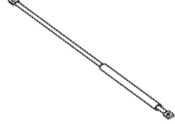
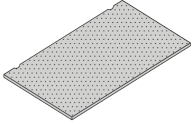
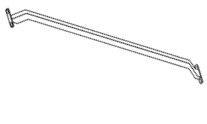


Hand Crafted Furniture

Code: MD003

Hardware list includes factory installed bolts and washers for side rails attachment.

(\* bolts are fixed to the Headboard/ footboard/ side rails)

Note: please find fittings in the carton fastened behind the headboard.

A	B	C	D	E2	E	F	I	J	L	M	O	
												
Bolt	Bolt	Metal Plate	Screwdriver	Washer	Washer	Wooden Leg	Allen Wrench	Center support leg	Bolt	Bolt	Center support	
Φ7*35MM	Φ8*30MM			Φ6MM	Φ8MM	H=6CM	Φ8MM	H=15.5 CM	Φ8*50MM	Φ6*40MM	Center support	
12 PCS	40 PCS	4PCS	1PC	1 PC	50 PCS	4 PCS	1 PC	1 PC	10 PCS	1 PC	1 PC	
P			Q		R		S		U		Y	Z-2
												
Lift up Arms			Bracket		Lift up support		Storage-board		Slat system support		Wrench	Nut
2 PCS			2 PCS		2 PCS		2 PCS		1 PC		1 PC	4 PCS

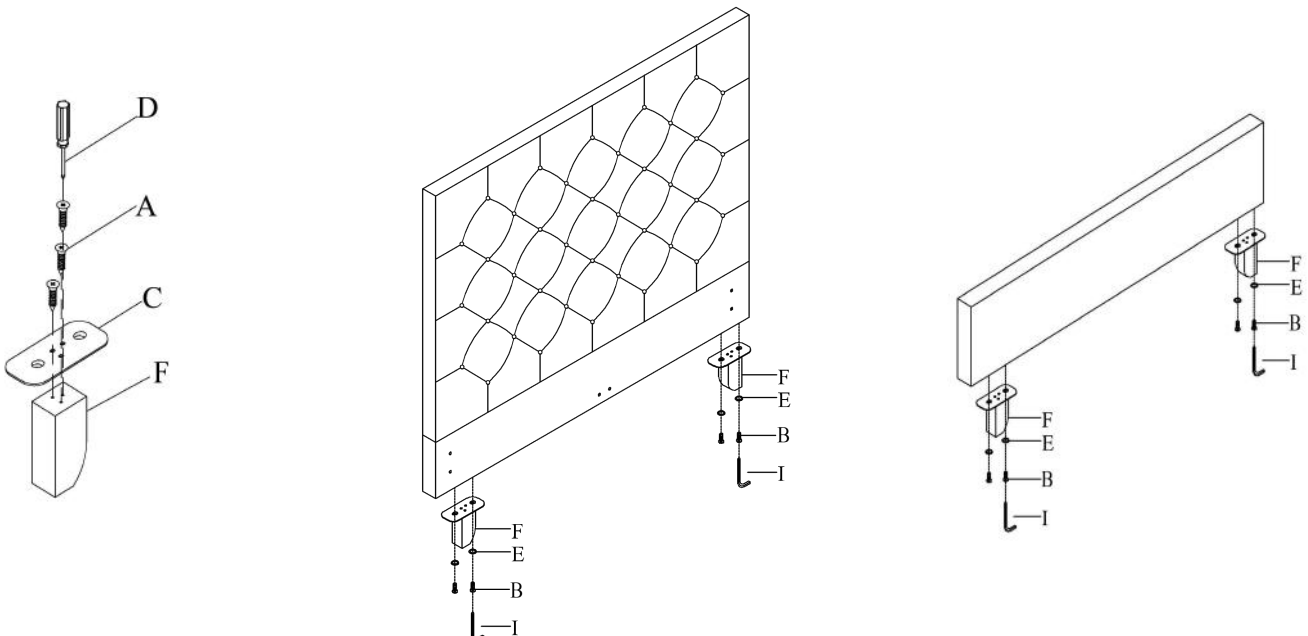
## Assembly Steps:

### Step#1

Retrieve bed feet from carton fastened behind the headboard.

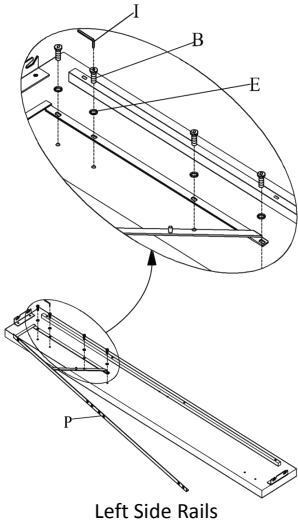
Attach Metal plate (C) to the wooden legs (F) using Screwdriver (D), Screw (A). Please make sure to tighten the screws.

Attach bed feet (F) to the headboard / Footboard use Wrench (I), Bolt (L) and Washer (E).

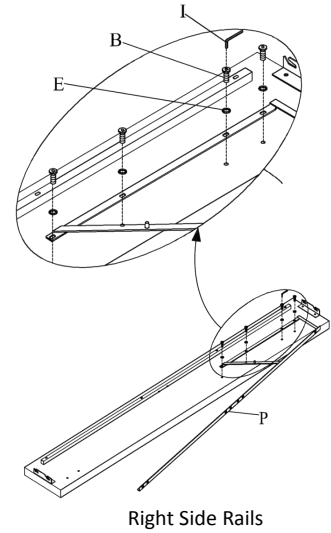


## Step#2

Attach lift up Arms (P) to the side rails.

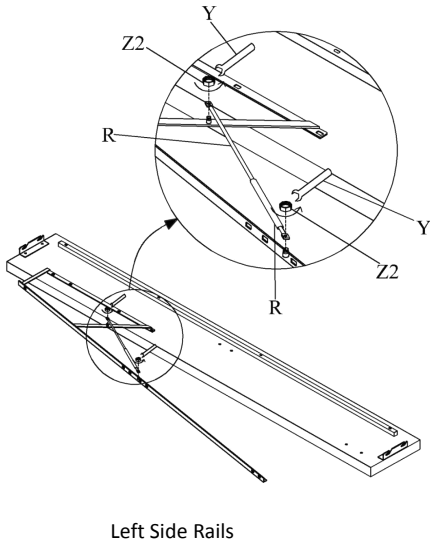


\* Bolt(B) and Washer(E) are fixed to the Side rails, Please remove them before you install.\*

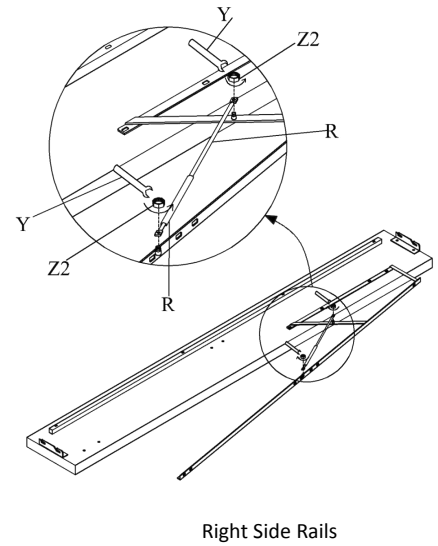


## Step#3

Attach hydraulic rod (R) to connect the lift up Arms. Tighten/secure Nut (Z) using Wrench (Y) until snug.

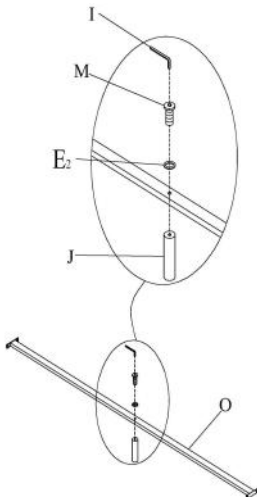


\* Nut(Z<sub>2</sub>) are fixed to the Arms, Please remove them before you install.\*



## Step#4

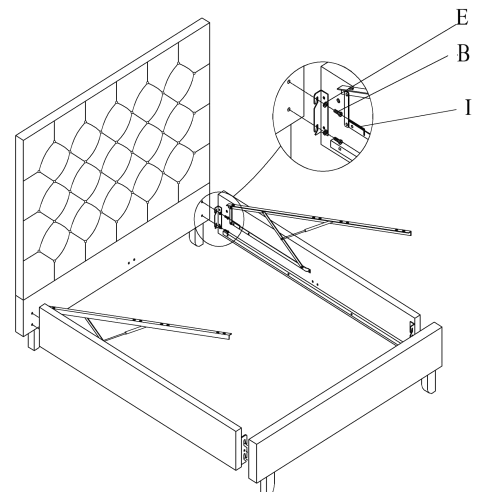
Attach center support legs (J) to the Center Support (O) using Wrench (I), Bolt (M) and Washer (E<sub>2</sub>).



## Step#5

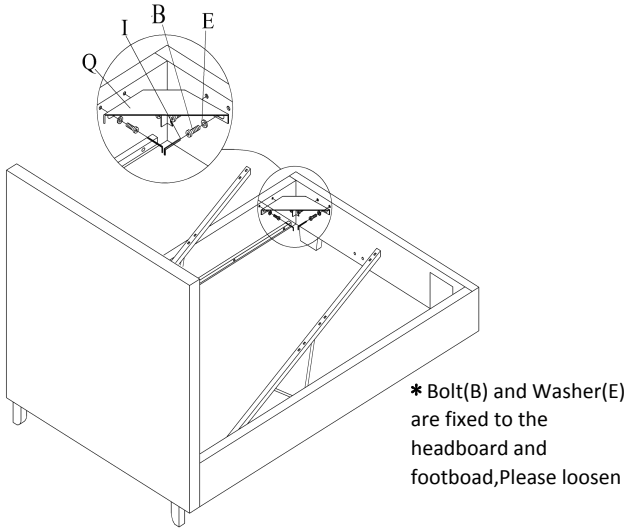
Loosen Bolt (B) & Washer (E), attach side Rails to headboard and footboard using Wrench (I), Bolt (B) and Washer (E).

\* Bolt(B) and Washer(E) are fixed to the headboard and footboard, Please loosen them before use.\*



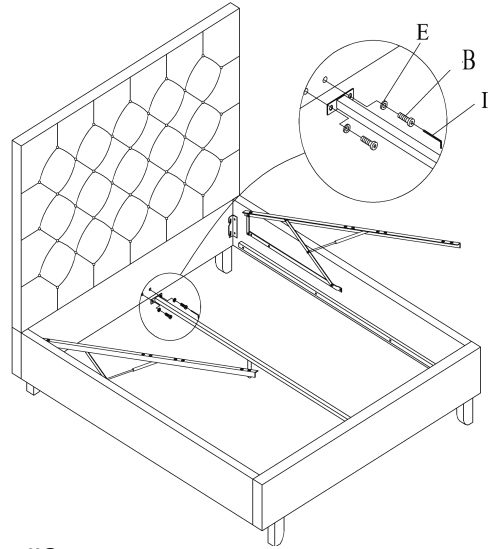
### Step#6

Loosen Bolt (B) & Washer (E) ,attach angle bracket to rails & footboard using Wrench (I), Bolt (B) and Washer (E).



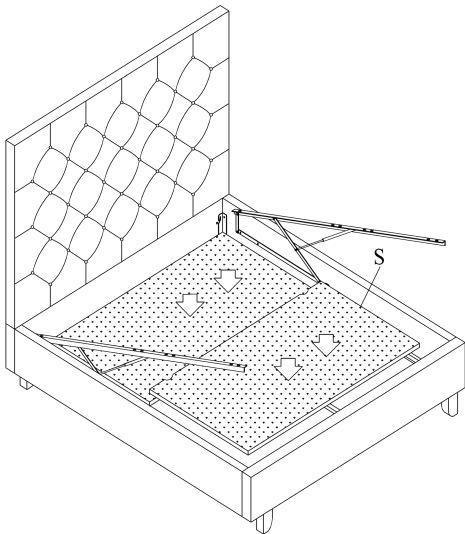
### Step#7

Remove Bolt (B) & Washer (E), attach steel center support (O) to the headboard and footboard using Bolt (B) and washer (E).



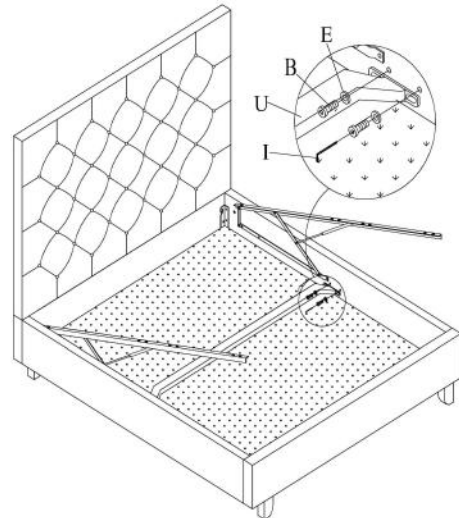
### Step#8

Put storage board (S) on the support rails.



### Step#9

Remove Bolt (B) & Washer (E) on the middle of side rails, Attach center support Rails (U) to the side rails using Wrench (I), Bolt (B) and Washer (E)

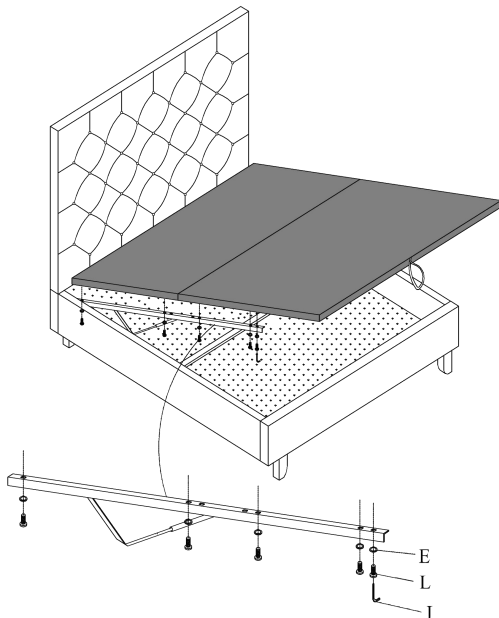


### Step#10

Move/place bed into final position in bedroom.

Put Base-board on the lift arms, attach Base-board and arms using Wrench (I), Bolt (L) and Washer (E).Please align the hole position of the support arms before locking the base-board.

Verify the board base are inserted properly into lift up frame



### Overall View

