

# Assembly Instructions








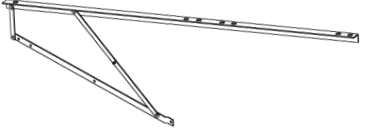
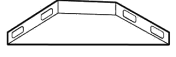
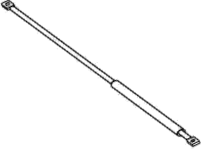
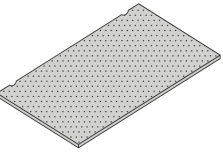
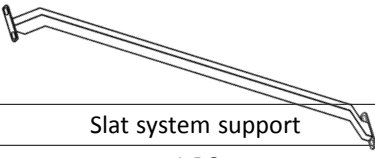

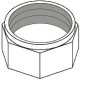
Hand Crafted Furniture

Code: MD002

Hardware list includes factory installed bolts and washers for side rails attachment.

(\* bolts are fixed to the Headboard/ footboard/ side rails)

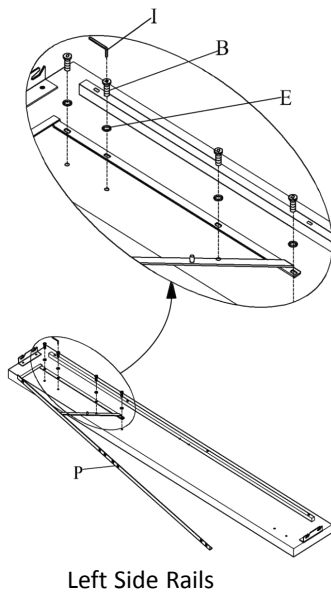
Note: please find fittings in the carton fastened behind the headboard.

B	C	E	F	I	J	O	P		
									
Bolt	Bolt	Washer	Metal Leg	Allen Wrench	Center support leg				
Φ8*30MM	Φ8*50MM	Φ8MM	H=15CM	Φ8MM	H=17.5CM	Center support	Lift up Arms		
36 PCS	18 PCS	54 PCS	4 PCS	1 PC	2 PCS	1 PC	2 PCS		
Q		R		S		U		Y	Z-2
									
Bracket		Lift up support		Storage-board		Slat system support		Wrench	Nut
2 PCS		2 PCS		2 PCS		1 PC		1 PC	4 PCS

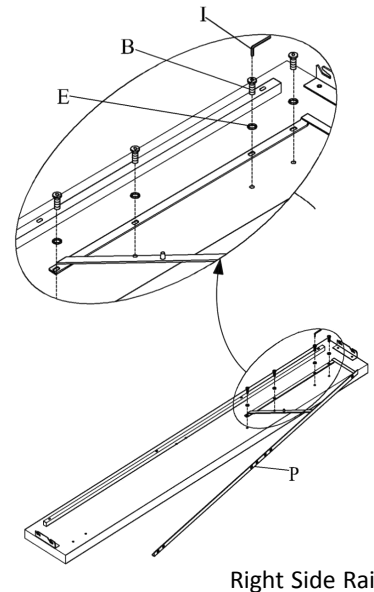
## Assembly Steps:

### Step#1

Attach lift up Arms (P) to the side rails using Wrench (I), Bolt (B) and Washer (E).

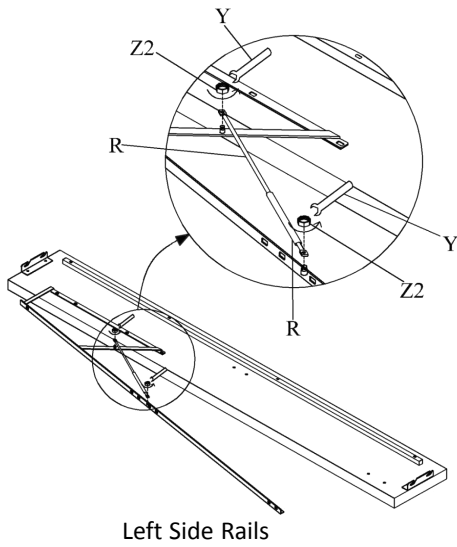


\* Bolt(B) and Washer(E) are fixed to the Side rails, Please remove them before you install.\*

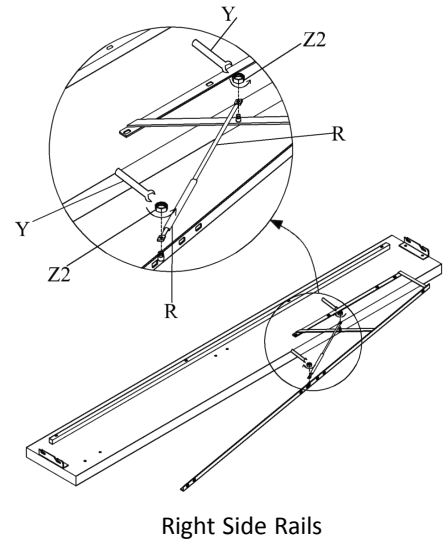


## Step#2

Attach hydraulic rod (R) to connect the lift up Arms. Tighten/secure Nut (Z) using Wrench (Y) until snug.

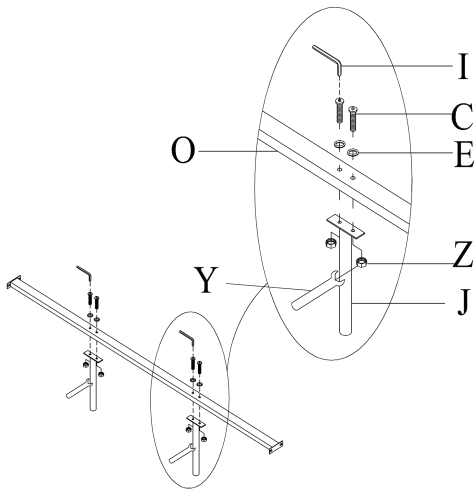


\* Nut(Z<sub>2</sub>) are fixed to the Arms, Please remove them before you install. \*



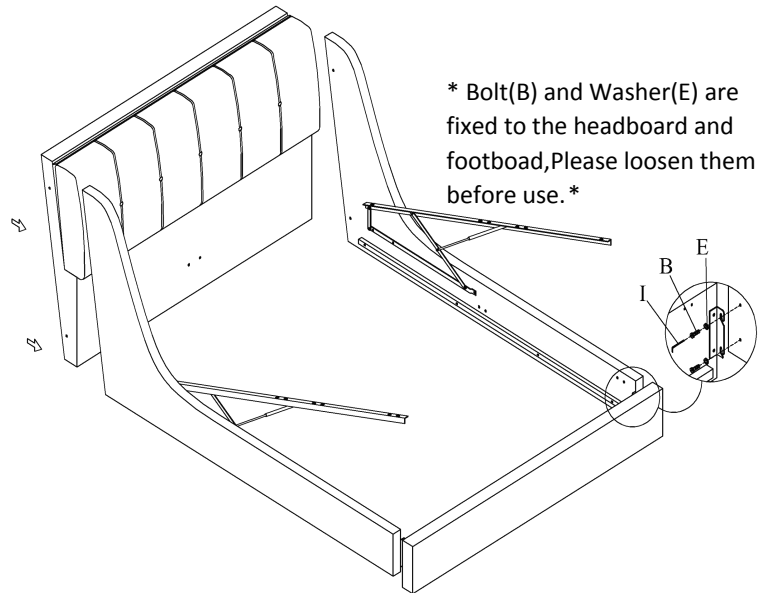
## Step#3

Attach center support legs (J) to the Center Support (O) using Wrench (I), Bolt (C) and Washer (E).



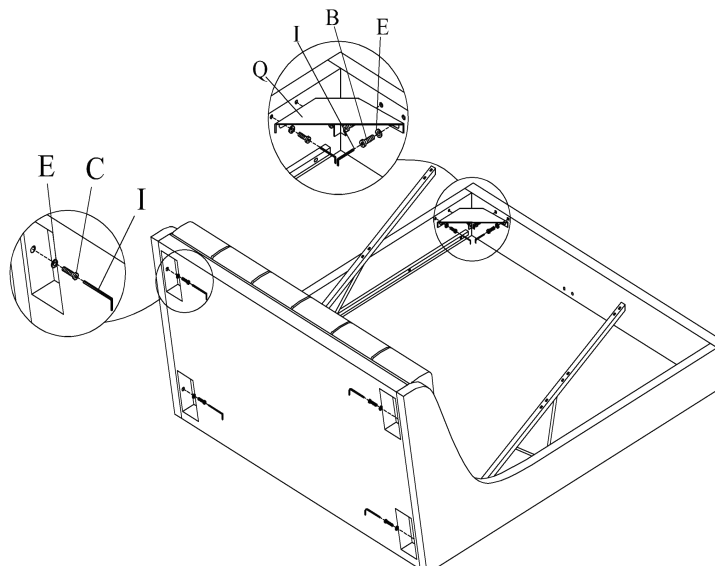
## Step#4

Loosen Bolt (B) & Washer (E), attach side Rails to footboard using Wrench (I), Bolt (B) and Washer (E).



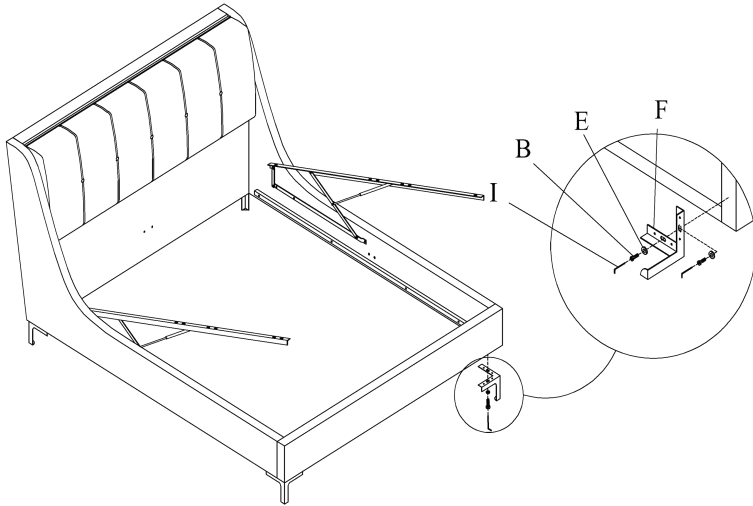
## Step#6

Attach wings through Headboard finger tight, using Wrench(I), Bolt (C) and Washer (E). Tighten secure wings (4 bolts) with Allen wrench  
Loosen Bolt (B) & Washer (E), attach angle bracket to rails & footboard using Wrench (I), Bolt (B) and Washer (E).



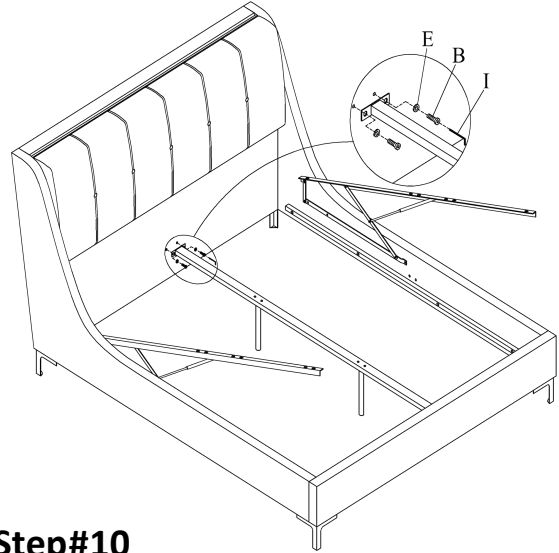
## Step#7

Attach bed feet (F) to the headboard / Footboard use Wrench (I), Bolt (B) and Washer (E).



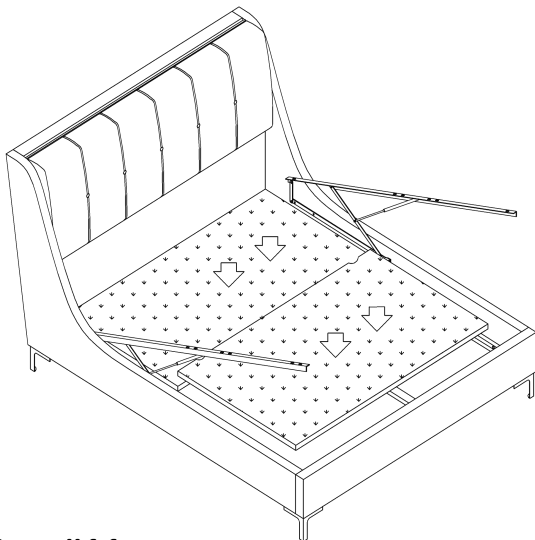
## Step#8

Remove Bolt (B) & Washer (E) on the middle of headboard & footboard, attach steel center support (O) to the headboard and footboard using Bolt (B) and washer (E).



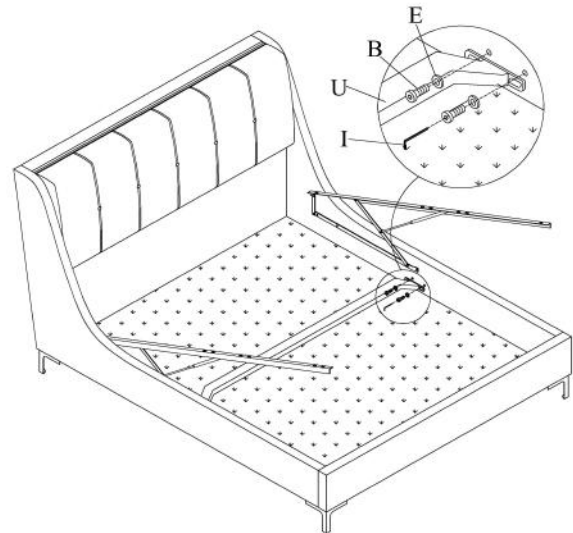
## Step#9

Put storage board (S) on the support rails.



## Step#10

Remove Bolt (B) & Washer (E) on the middle of side rails, Attach center support Rails (U) to the side rails using Wrench (I), Bolt (B) and Washer (E).



## Step#11

Move/place bed into final position in bedroom.

Put Base-board on the lift arms, attach Base-board and arms using Wrench (I), Bolt (L) and Washer (E). Please align the hole position of the support arms before locking the base-board.

Verify the board base are inserted properly into lift up frame

## Overall View

