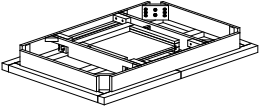




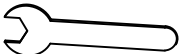


ASSEMBLY INSTRUCTION EXTENDING TABLE

No	Name of Component	Q.ty
Ⓐ	 Table top	1
Ⓑ	 Leg	4
No	Name of Hardware	Q.ty
①	Bolt M10 x 60 	8
②	Washer Ø20/Ø11 x 2 	8
③	Spring Washer M10 	8
④	Spanner 	1

