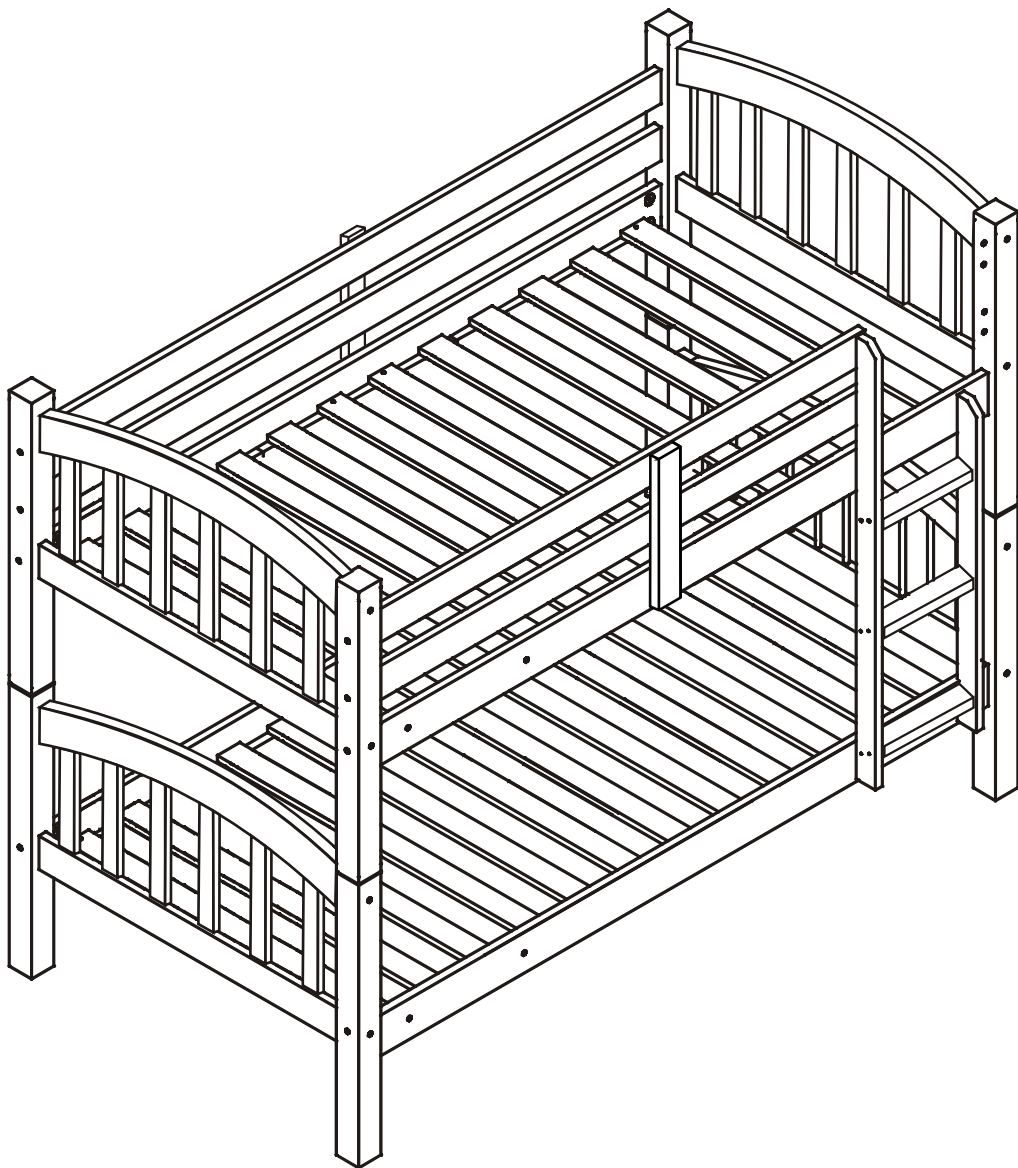


**IMPORTANT - READ CAREFULLY
RETAIN FOR FUTURE REFERENCE**

AMERICAN BUNK BED

ASSEMBLY INSTRUCTIONS



**UPGRADED LADDER FACILITY FITTING NOW
CAN BE LEFT HAND SIDE OR RIGHT HAND SIDE**

IMPORTANT INFORMATION

WARNING – High Beds and the upper bed of bunk beds are not suitable for children under six years due to risk of injury from falls.

WARNING – Bunk beds and high beds can present a serious risk of injury from strangulation if not used correctly. Never attached or hang items to any part of the bunk bed that are not designed to be used with the bed, for example, but not limited to ropes, strings, cords, hooks, belts and bags.

WARNING – Children can become trapped between the bed and the wall, a roof pitch, the ceiling, adjoining pieces of furniture (e.g. cupboards) and the like.

WARNING – Do not use the bunk bed / high bed if any structural part is broken or missing.

It is recommended that you always follow the manufacturer's instructions to assemble this product.

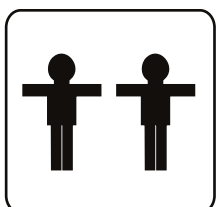
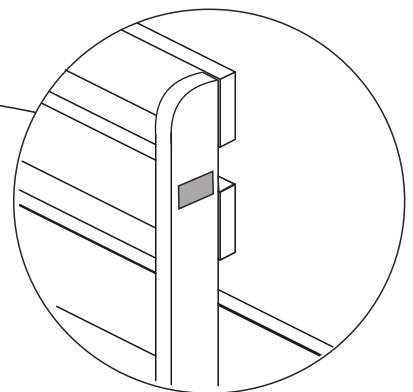
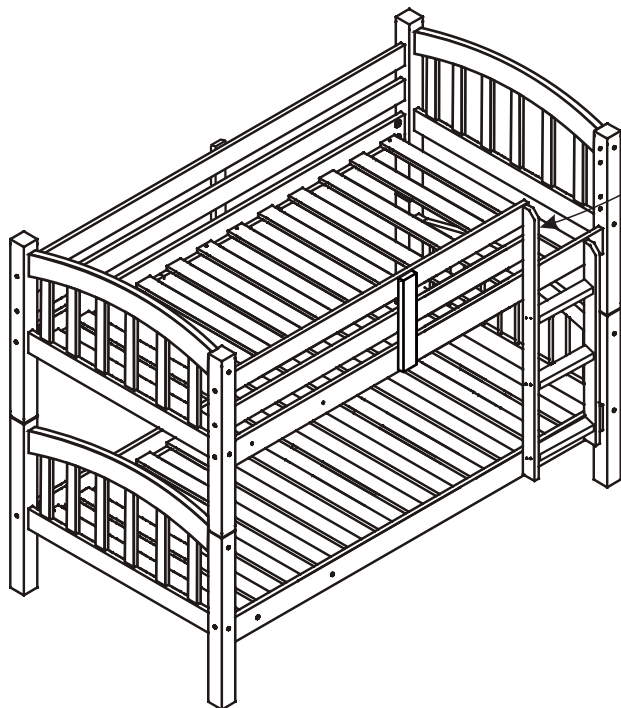
Always follow the manufacturer's recommended mattress size, as per these instructions and the bunk bed / high bed maximum mattress height marking on the item.

Width 91cm x Length 190cm with a Maximum Depth of 16cm.

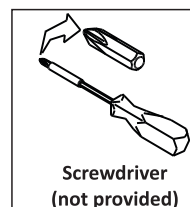
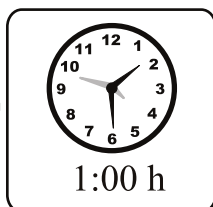
It is necessary to frequently ventilate the room in order to keep the humidity low and to prevent mould in and around the bed.

Please periodically check all the fixings of the item and re-tighten when necessary.

This item conforms to European Safety Standards - BS EN 747-1: 2012 + A1:2015



+



Safety Advice

Please take the time to carefully read through the whole of these instructions before you commence.

Keep these instructions for future reference.

Unpack, inspect and check of all of the contents.

Please dispose of all packing safely.

Small components parts could choke a child if swallowed.

We strongly recommend that you keep children well away from the work area.

It would be sensible to lay a sheet or blanket on the floor where you intend to work to avoid scratching this product and protect your floor.

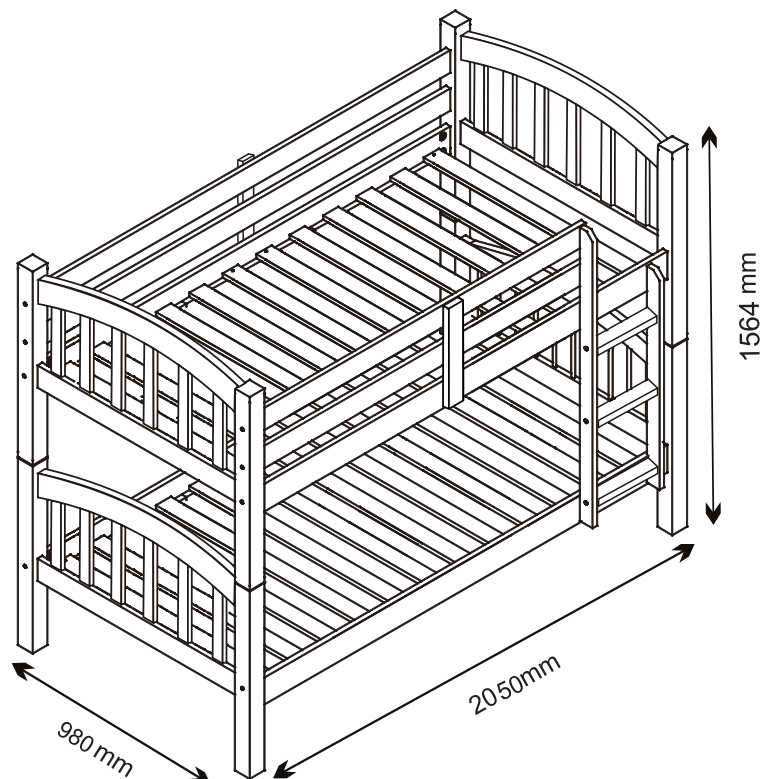
This product is heavy. Take extreme care when lifting to avoid personal injury or damage to the product.

This bed is heavy. Always lift the bed with two people.

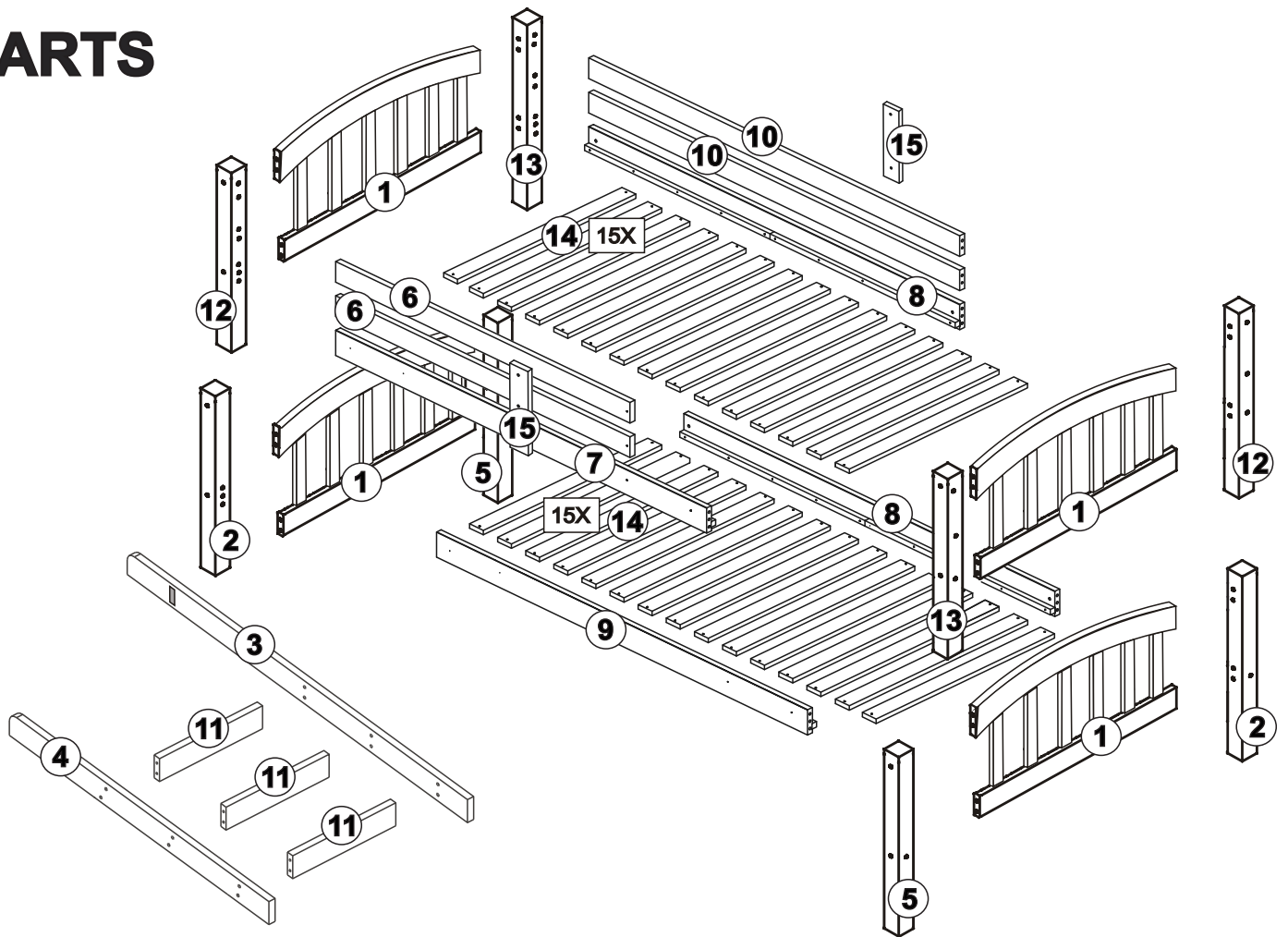
Assemble the product as close to its intended final position in the room as possible.



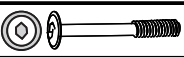
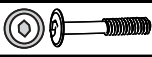









Keep any sharp objects away from the bed frame.

HANDY HINT: If you keep the hardware in a bowl during assembly you will be less likely to lose them.

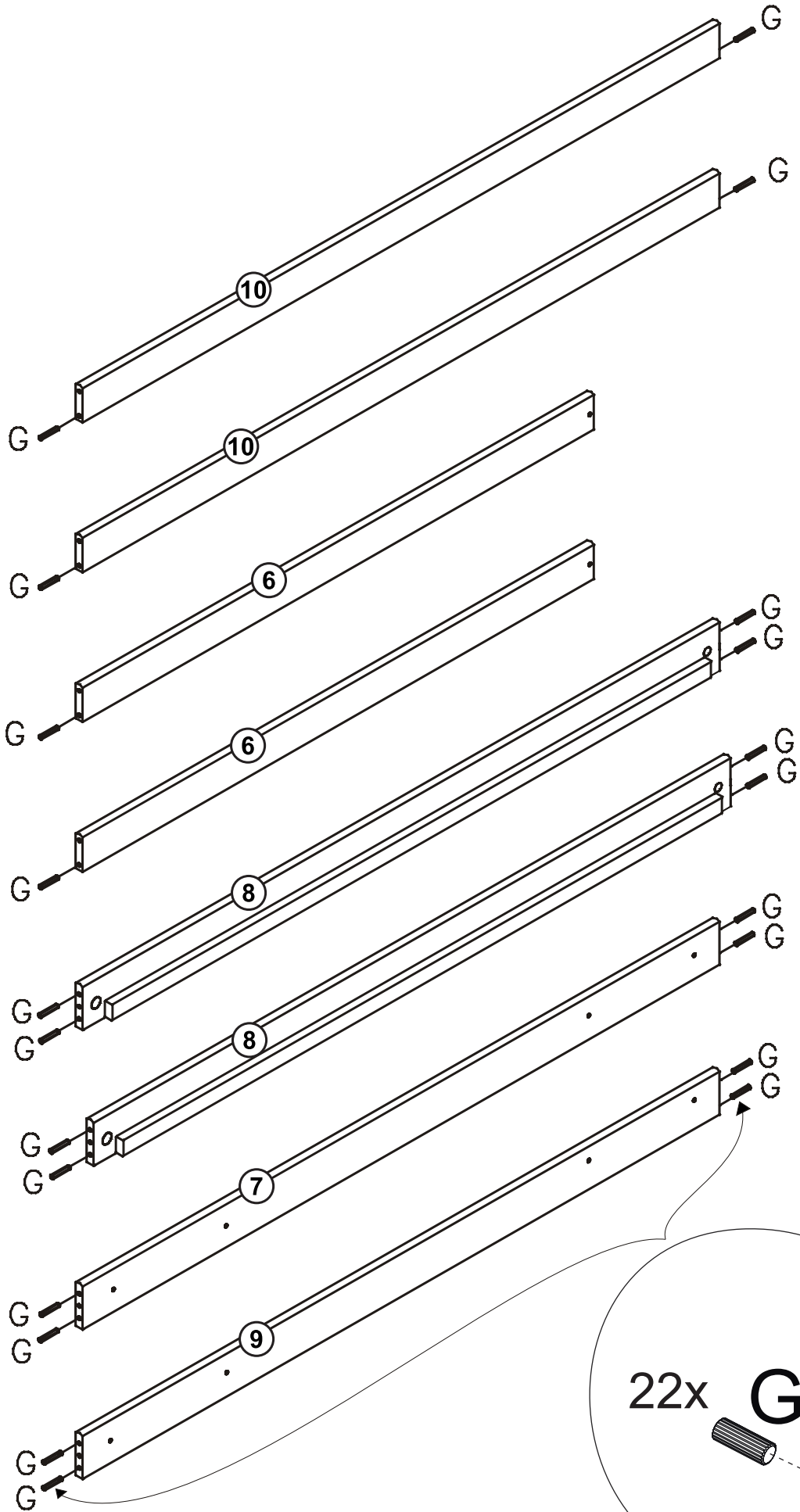


PARTS

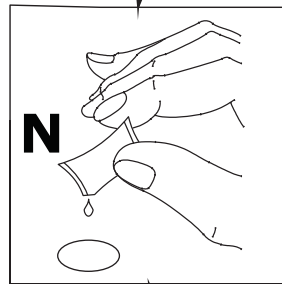
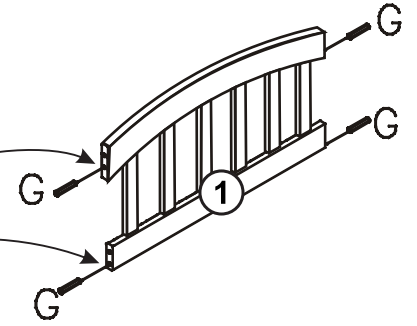
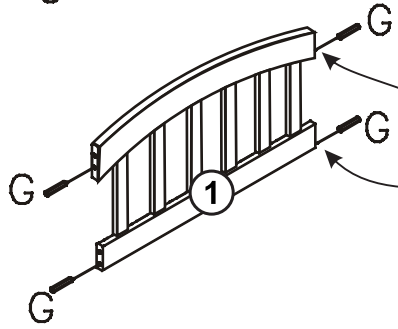
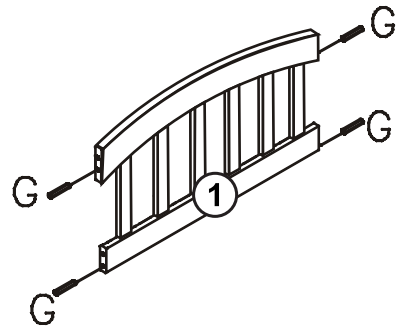
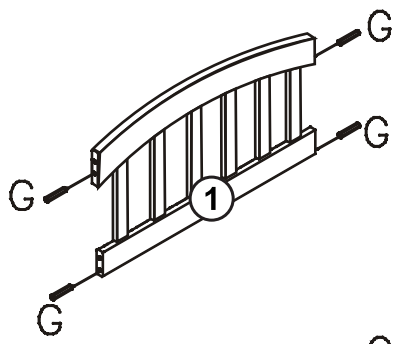


Part List				Hardware List (found in box 1)		
Part	Description	Box	Qty	Part	Description	Qty
1	Top and bottom Headend/footend	1	4	A	1/4 x110 mm Screw 	8
2	Bottom foot	2	2	B	1/4" Elliptical nut 	8
3	Left Ladder panel	3	1	C	7,0 x 100 mm Screw 	22
4	Right Ladder Panel	3	1	D	7,0 x 50 mm Screw 	18
5	Bottom foot	2	2	E	Allen key 	1
6	Front Guard Rail	3	2	F	4,0 x 35 mm CC Screw 	74
7	Top Front Side Rail	3	1	G	10 x 40 mm Wooden dowel 	38
8	Top and Bottom back Side Rail	3	2	H	15 x 90 mm Wooden dowel 	4
9	Bottom Front Side Rail	3	1	J	Wooden spacer 	2
10	Back Guard Rail	3	2	M	18 mm Plastic cap 	44
11	Step	3	3	N	Glue 	1
12	Upper Foot	2	2	O	Plastic hole cover 8mm 	4
13	Upper Foot	2	2	P	Plastic hole cover 10mm 	6
14	Slats	1	30	You wil need screwdriver and small mallet (not provided).		
15	Front and Back Side Rail Support	3	2			

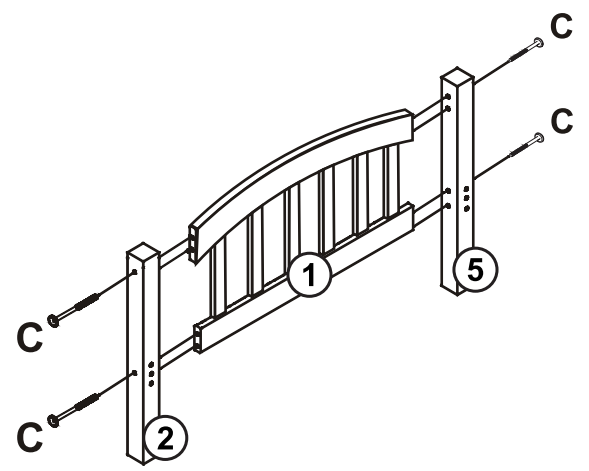
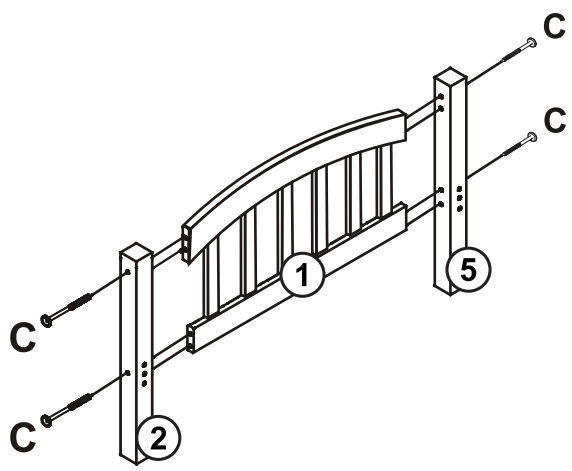
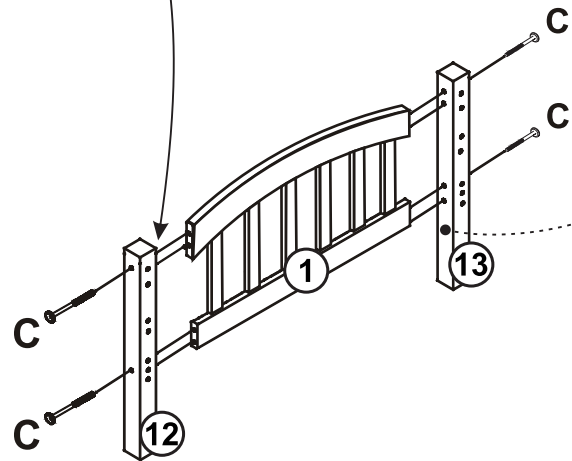
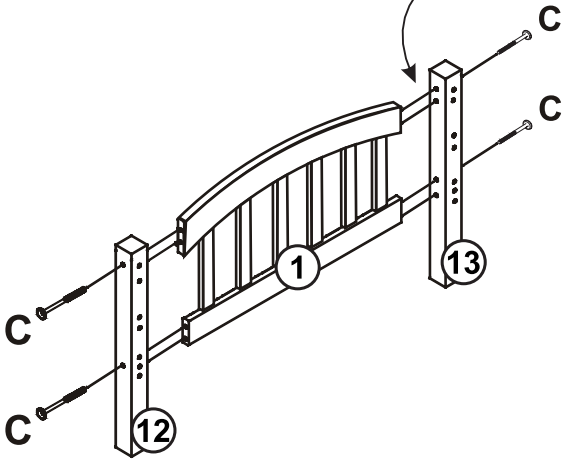
1



2

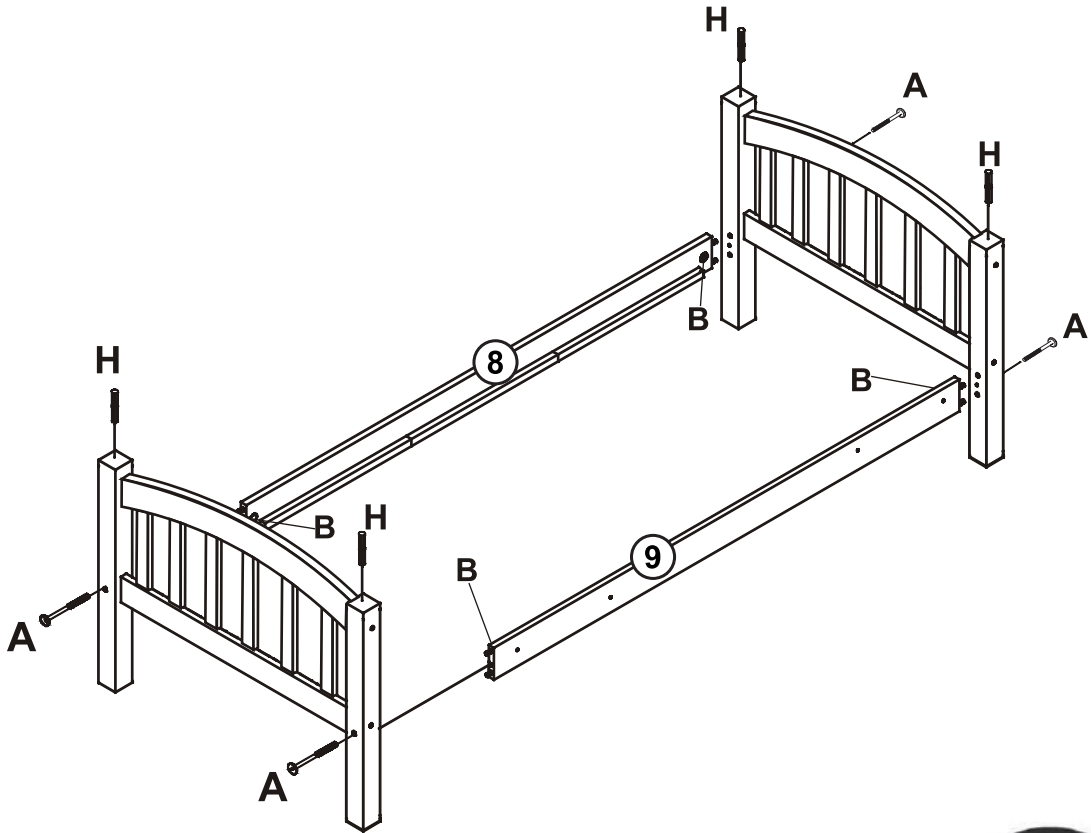


3



4

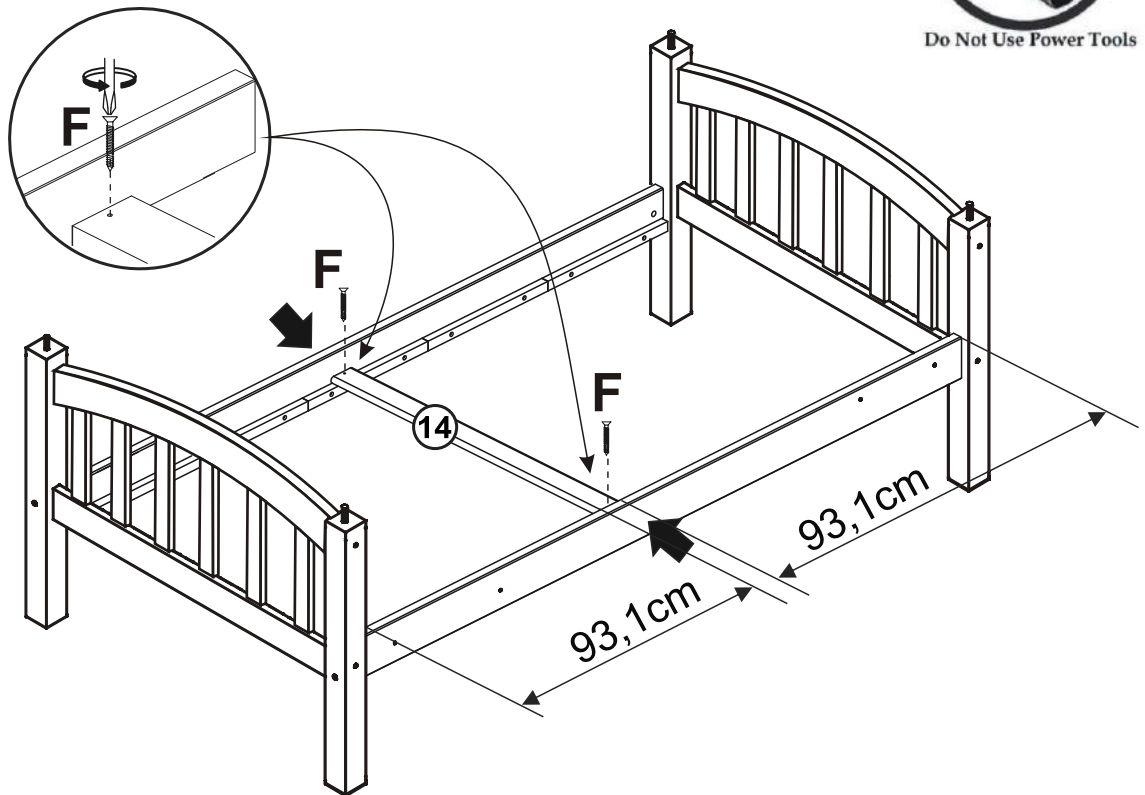
BOTTOM TIER BUNK



5

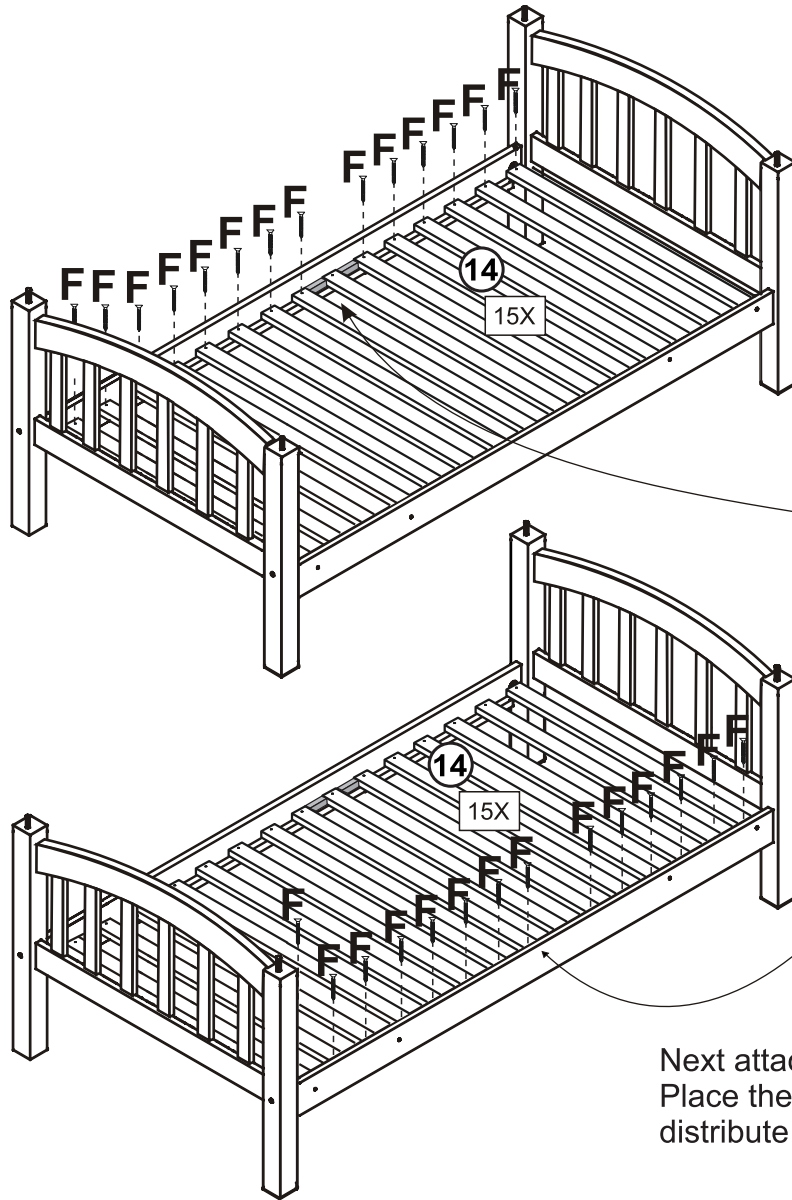


Do Not Use Power Tools



Attach the centre slat first by pushing the side rails together so that the slat is flush against the side rail, before inserting the screws.

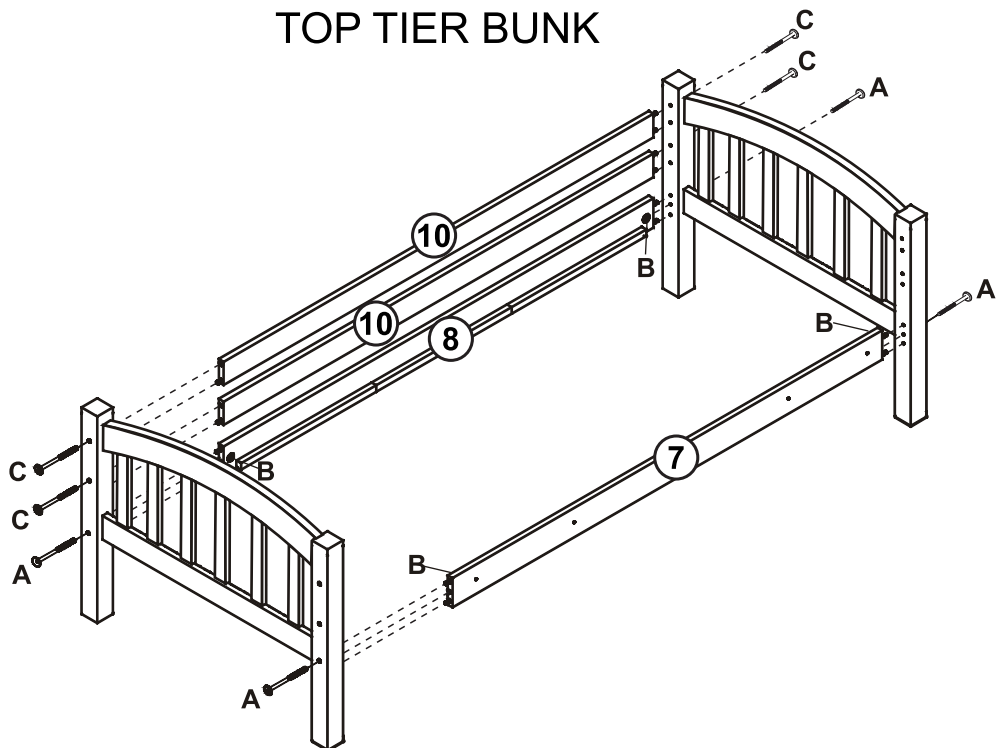
6



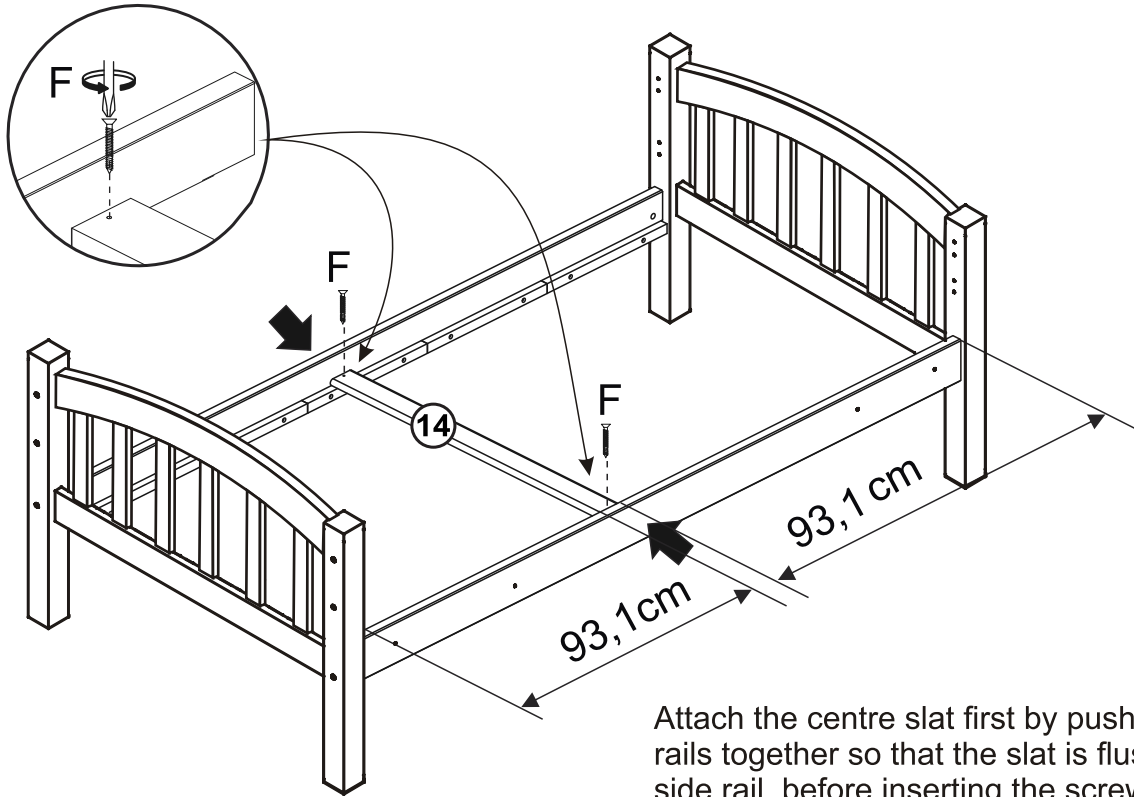
Next attach the remaining slats.
Place the slats onto the side rail supports and
distribute evenly by using the spacer provided.

7

TOP TIER BUNK

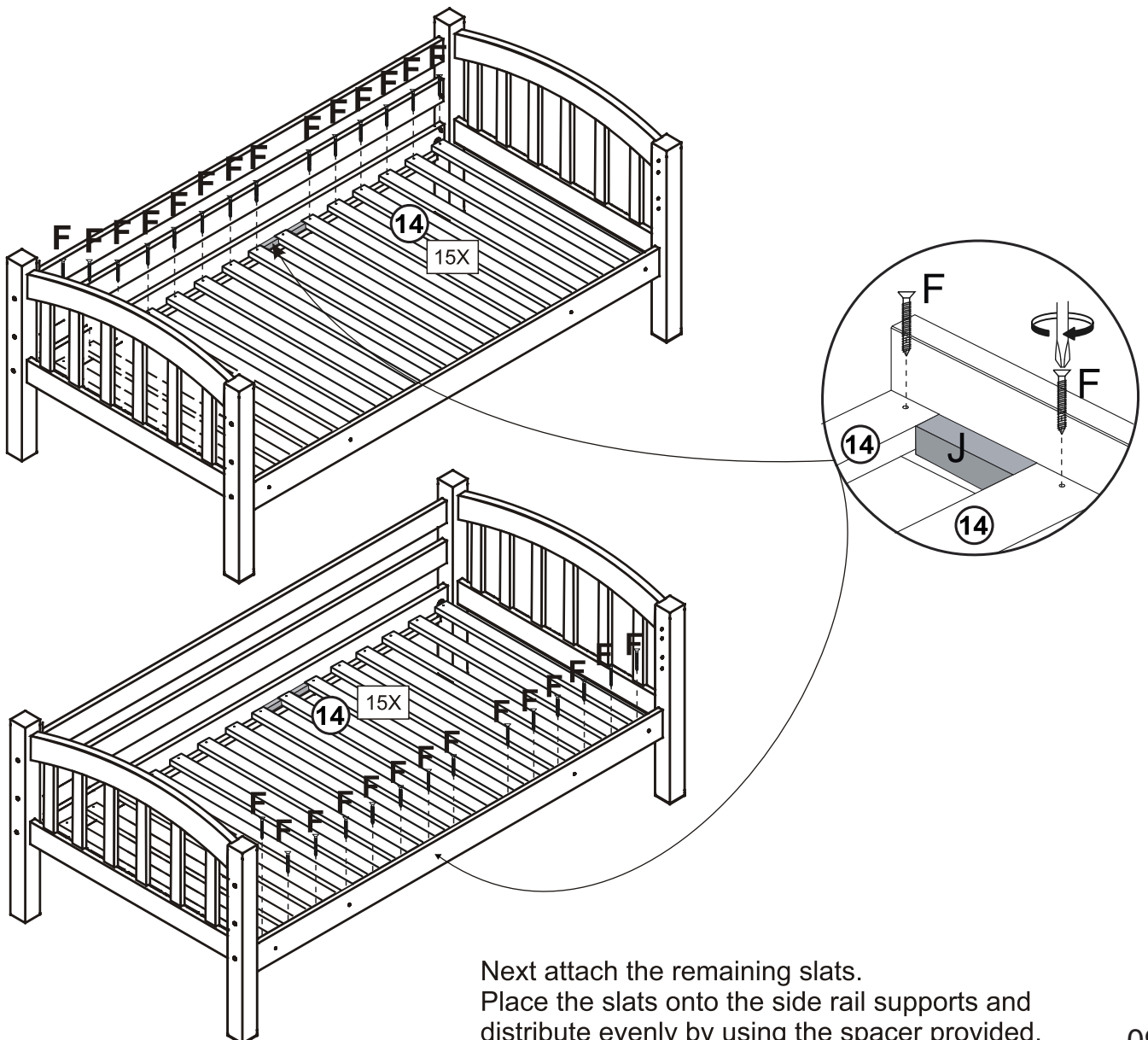


8



Attach the centre slat first by pushing the side rails together so that the slat is flush against the side rail, before inserting the screws.

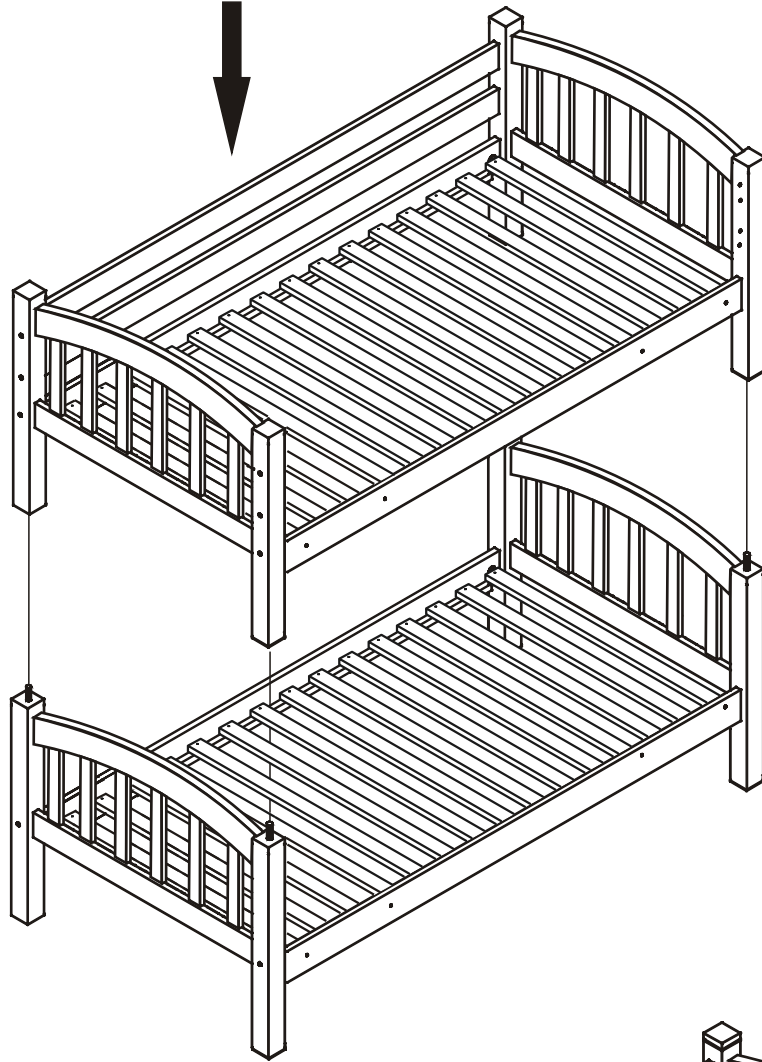
9



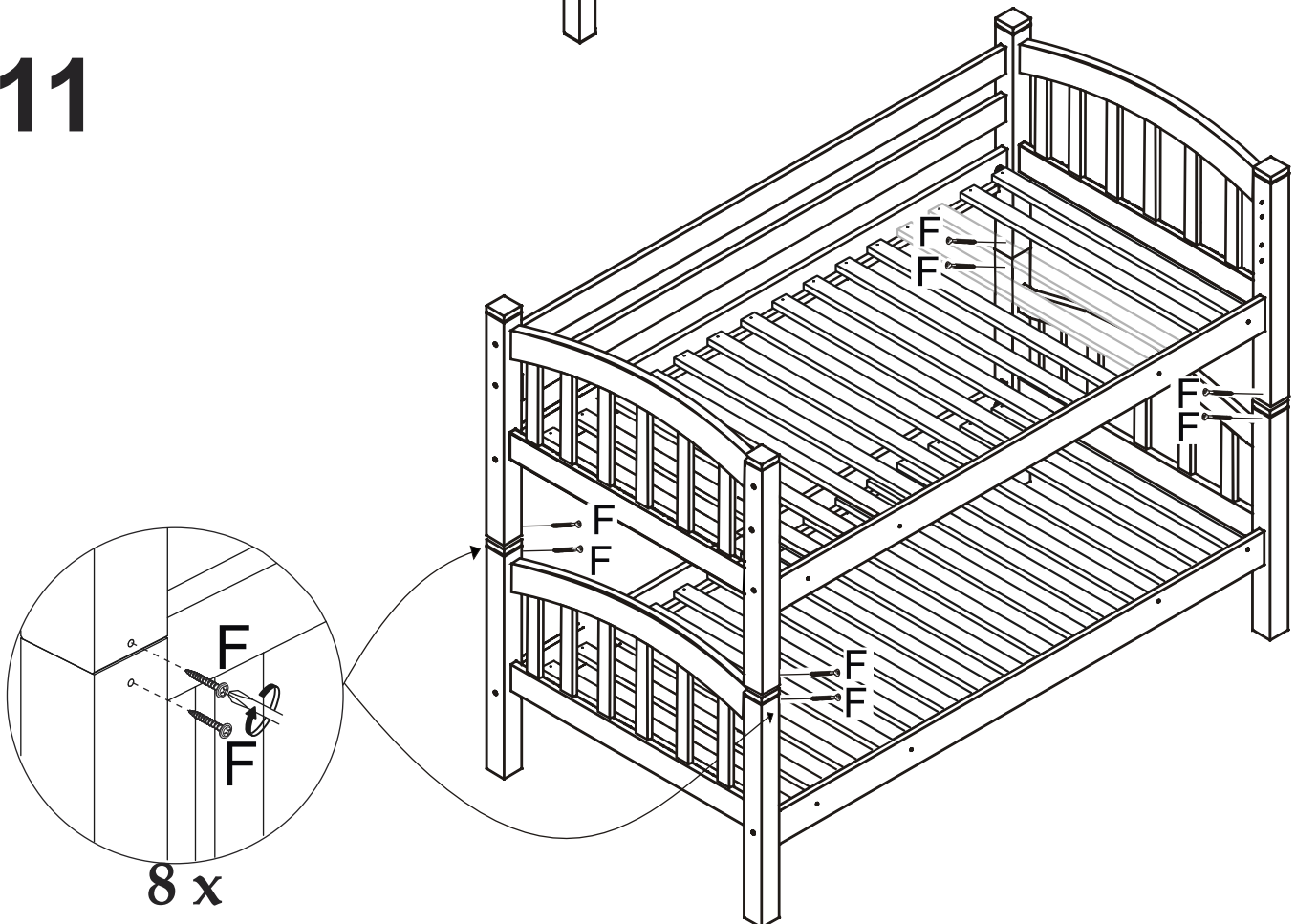
Next attach the remaining slats. Place the slats onto the side rail supports and distribute evenly by using the spacer provided.

10

ASSEMBLY OF TOP AND BOTTOM TIERS

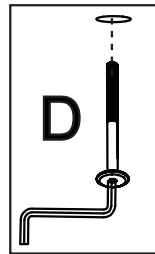
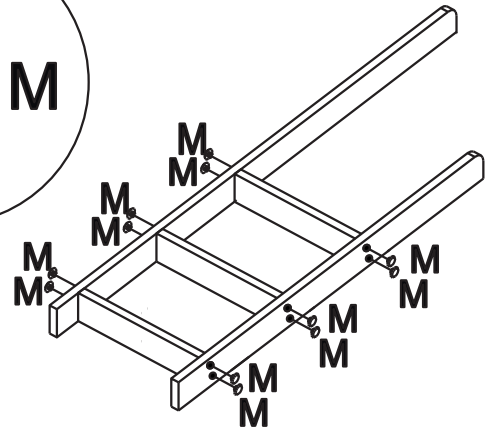
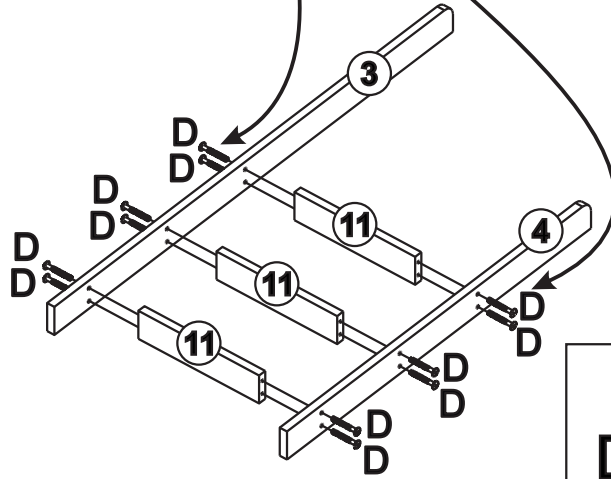
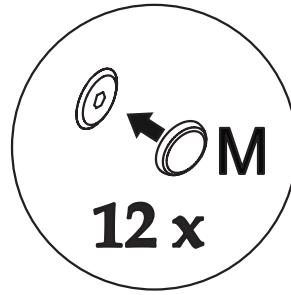
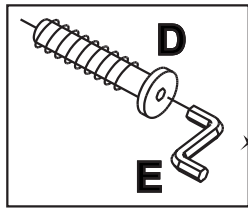


11



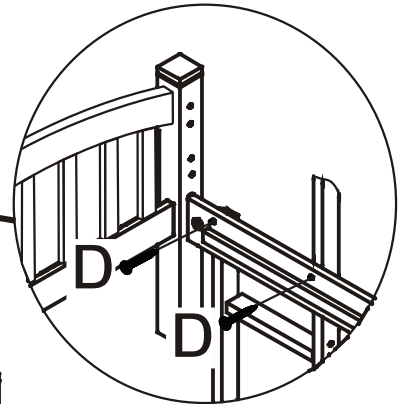
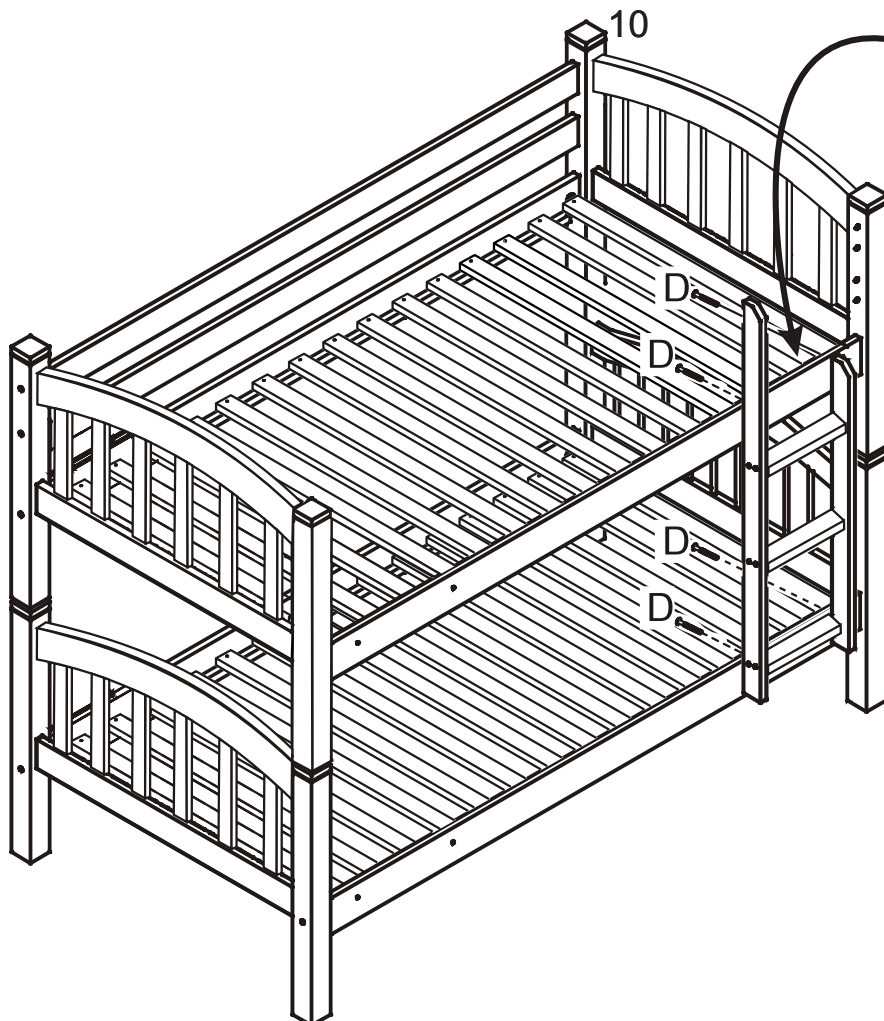
12

OPTION 1: ASSEMBLING LADDER ON RIGHT HAND SIDE

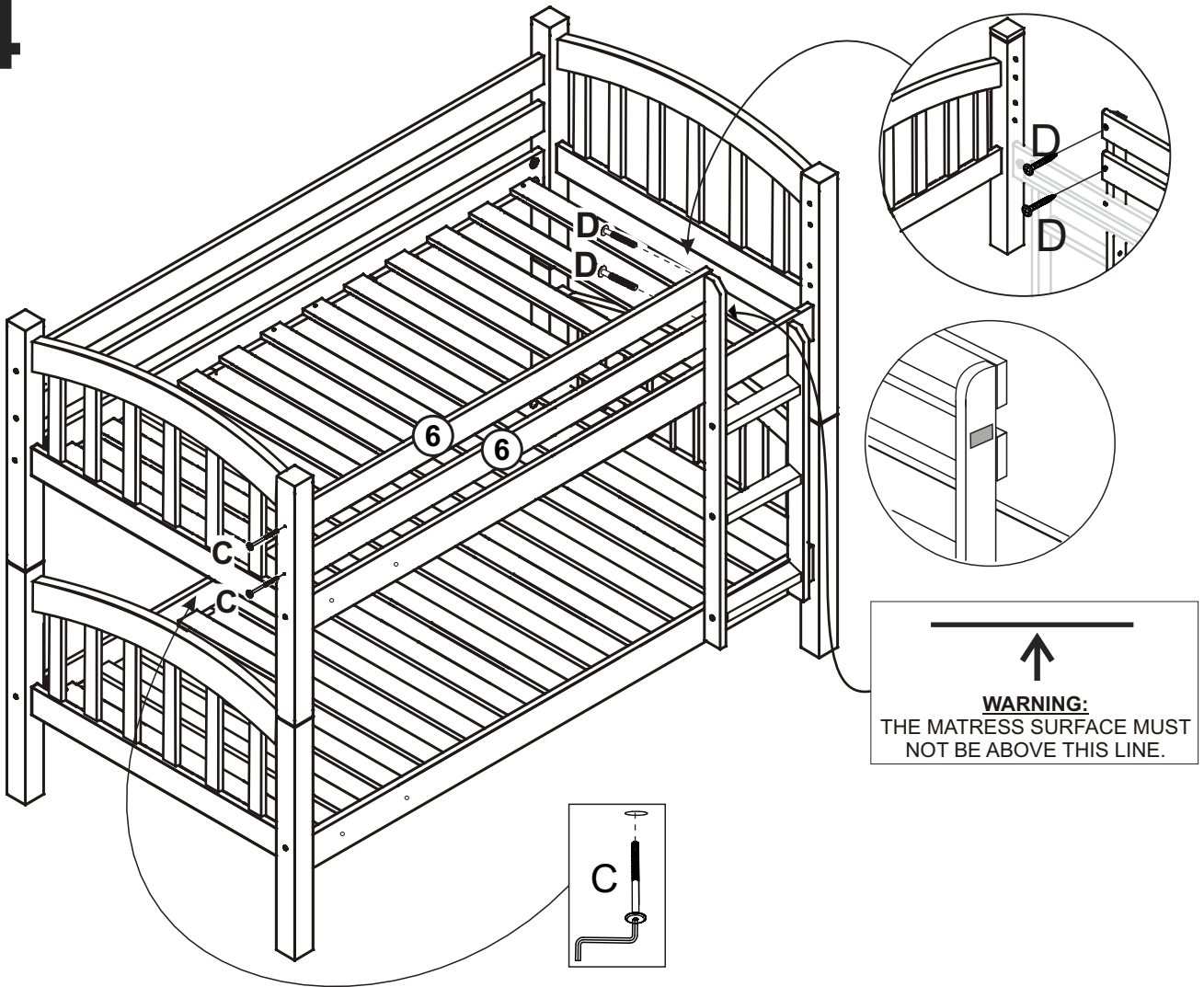


11

13

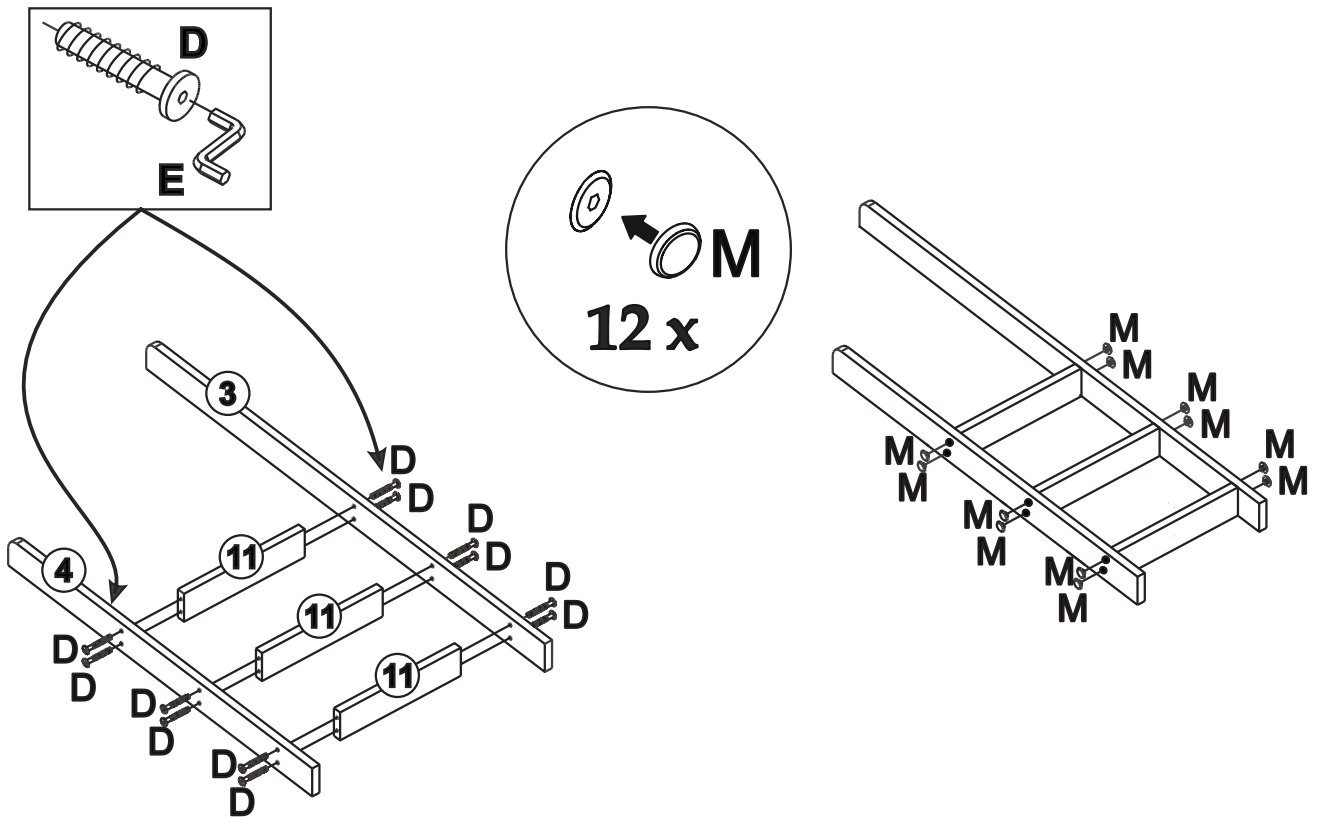


14

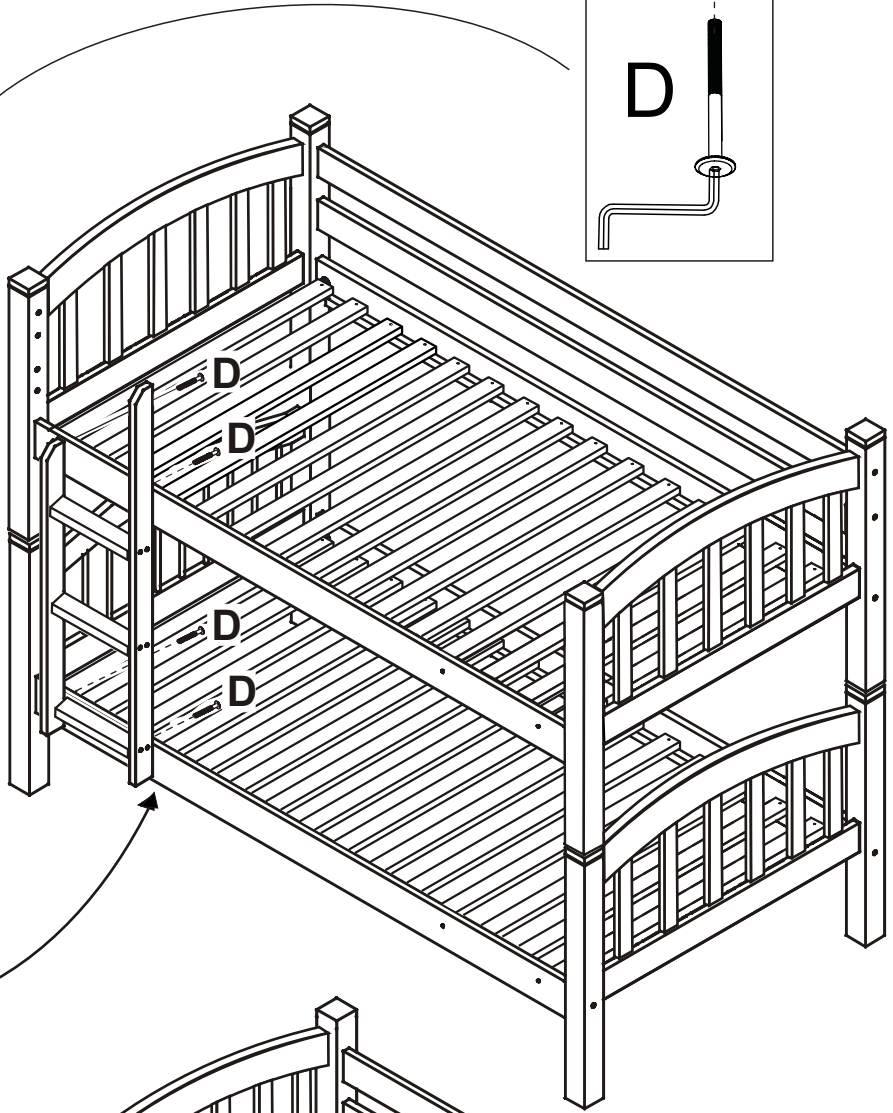
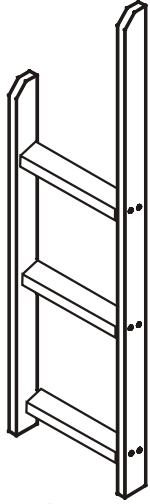
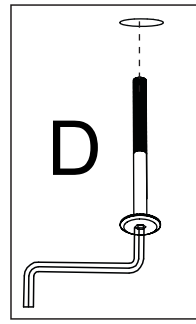
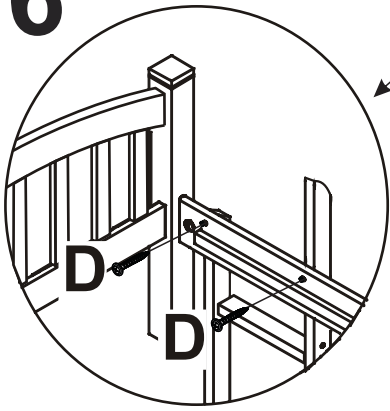


15

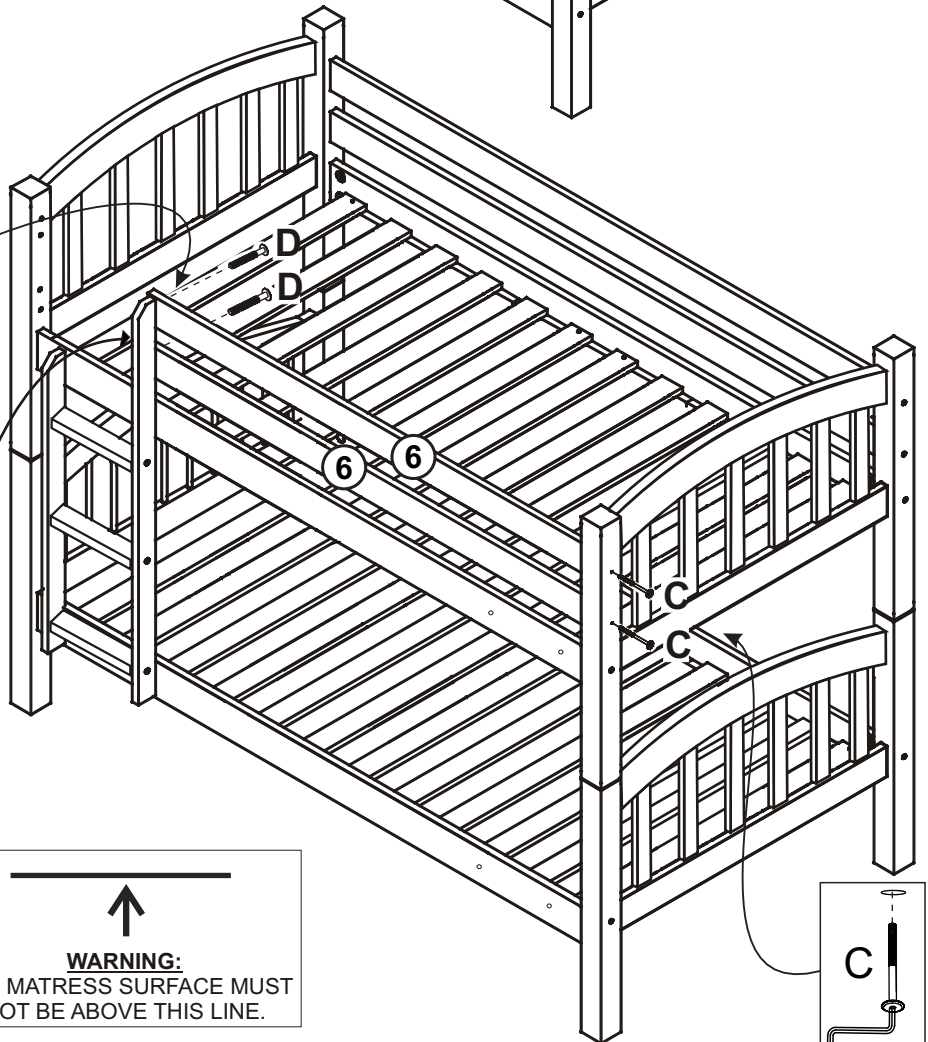
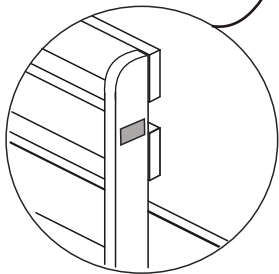
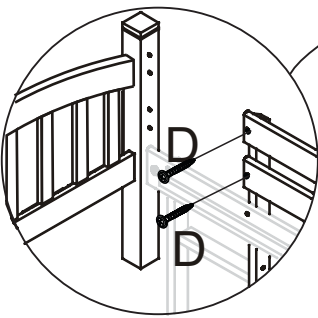
OPTION 2: ASSEMBLING LADDER ON LEFT HAND SIDE



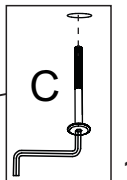
16



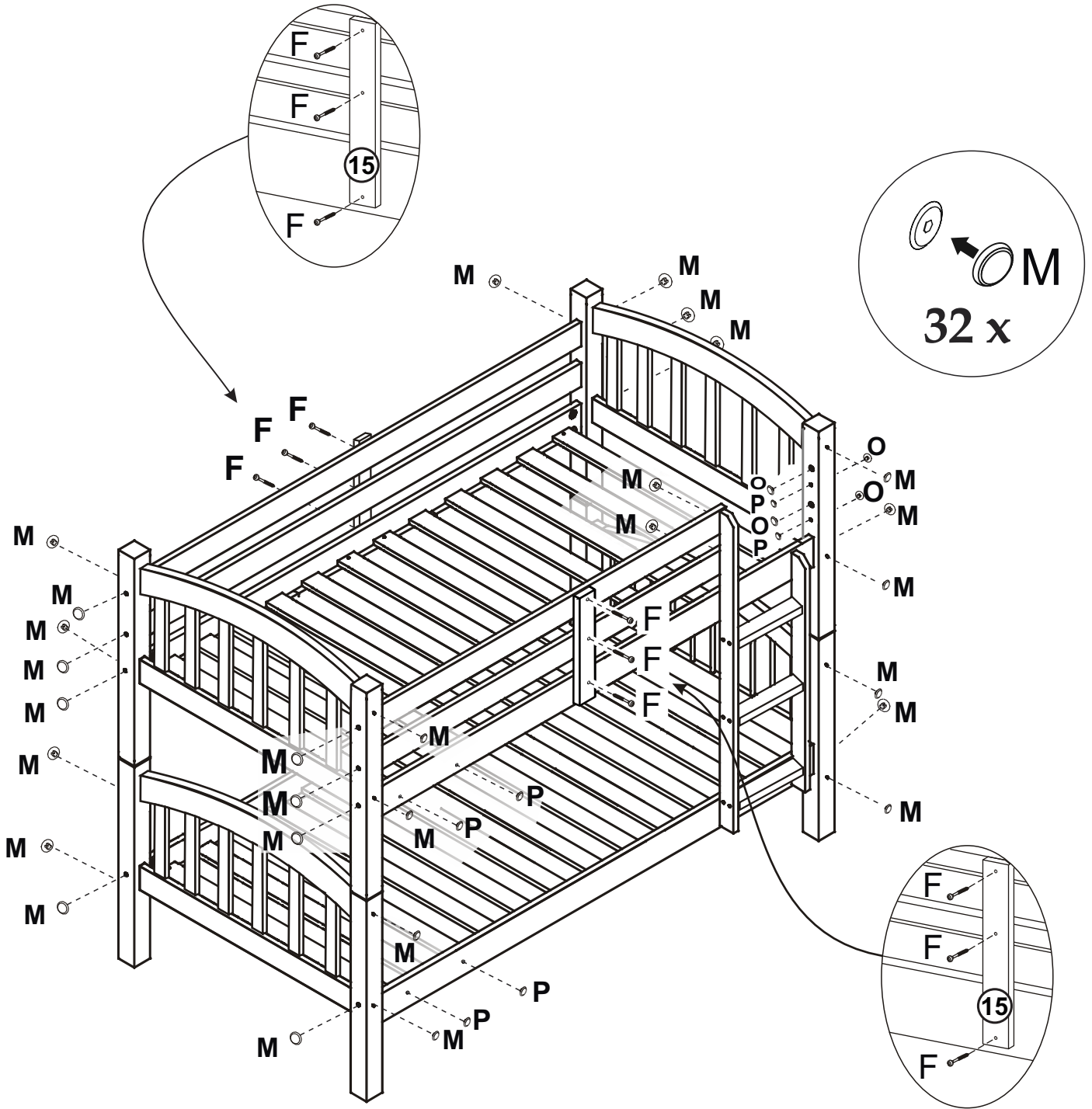
17



↑
WARNING:
THE MATTRESS SURFACE MUST
NOT BE ABOVE THIS LINE.



18



**Your Mya / American Bed Is Now
Complete And Ready To Use.**

GENERAL CARE

Wipe clean with a slightly damp soft cloth.

Avoid the use of all household cleaners and abrasives.

When moving your furniture, carefully lift into place. Never drag or push the pieces across the floor as this will cause damage to the joints and could result in failure to the product that will invalidate the warranty.

RECOMMENDATIONS

Periodical re-tightening of fixings

WARNING

This bed frame is heavy. Please use an assistant when lifting.

NOTES

We've tried to make this bed frame as easy to assemble as possible. In the unlikely event that you have problems putting it together or damaged or missing pieces, please contact your retailer directly you purchased it from who will be able to resolve any issue.