

Levan Corner Sofa Bed

Do not discard any of the packaging until you have checked the product.

Outlined below are General Care Instructions that will help prolong the look and life of your sofa bed by preventing wear and damage.

PLEASE NOTE: The Fabric on this product is Flame Retardant treated and therefore should be Specialist Upholstery cleaned only This product is intended for occasional overnight use only

CLEAN REGULARLY:

-  Remove dust by pre-brushing with a soft brush
-  Gently Vacuum all areas

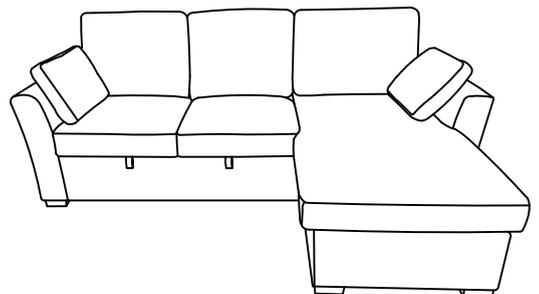
SUNLIGHT AND HEAT

-  Direct sunlight or heat can cause fabrics to deteriorate or fade. Protect them by situating your furniture out of the way of prolonged direct sunlight or by drawing curtains and blinds when applicable.
-  Avoid placing furniture too close to fires or radiators.
-  Reduce potential damage by moving items around or changing position so that the same piece or area is not always exposed.

SAFETY WARNINGS

 **ENTRAPMENT WARNING: KEEP HANDS CLEAR WHEN ADJUSTING THE RATCHET MECHANISM TO AVOID FINGER ENTRAPMENT: DO NOT ALLOW CHILDREN TO ADJUST THE MECHANISM.**

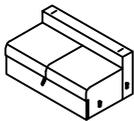
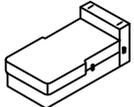
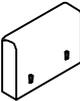
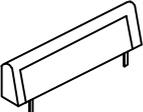
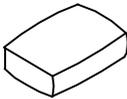
-  Never allow children to jump on the Sofa Bed.
-  Do not allow domestic pets to climb on the sofa bed or chew or claw it; oils and greases from animals will cause deterioration in the appearance of the fabric
-  Sharp objects such as buckles, toys and jewellery can easily snag on the fabric and produce tears and pulls in the fabric.
-  Hot objects such as the heat from cups and mugs can permanently disfigure upholstery.





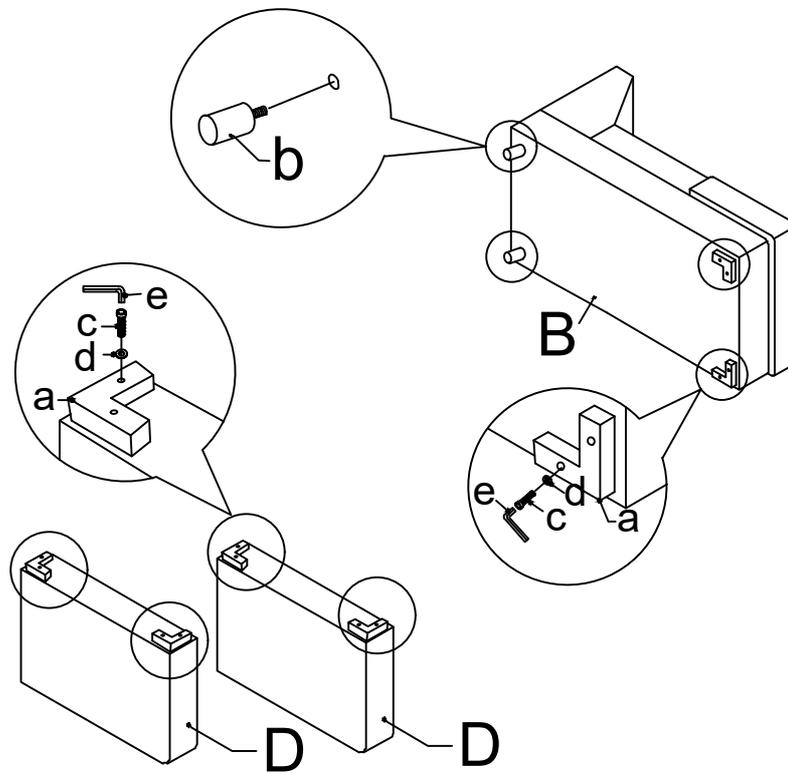
2 Person Assembly

Parts List:

A		Two seater x 1	a		Legs x 6
B		Chaise x 1	b		Chaise Back Leg x 2
C		Drawer x 1	c		Bolts x 12
D		Armrest x 2	d		Washer x 12
E		Chaise Backrest x 1	e		Allen key x 1
F		Loveseat Backrest x 1			
G		Back Cushion x 3			
H		Scatter Cushion x 2			

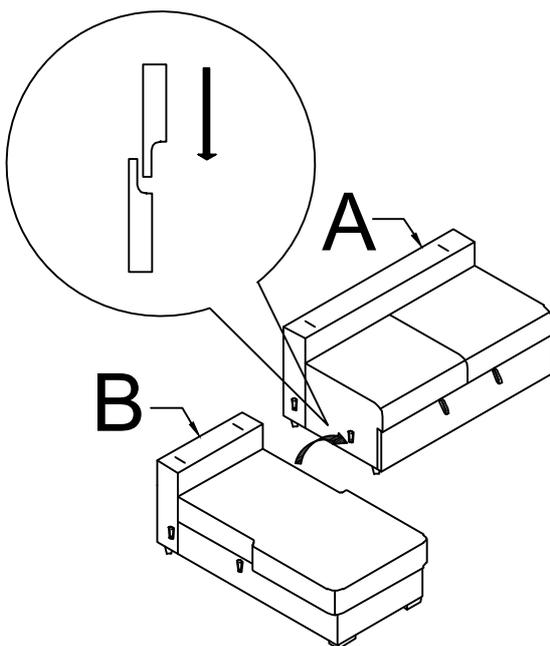
1) Unpack sofa Bed and check the above items are present.

STEP 1

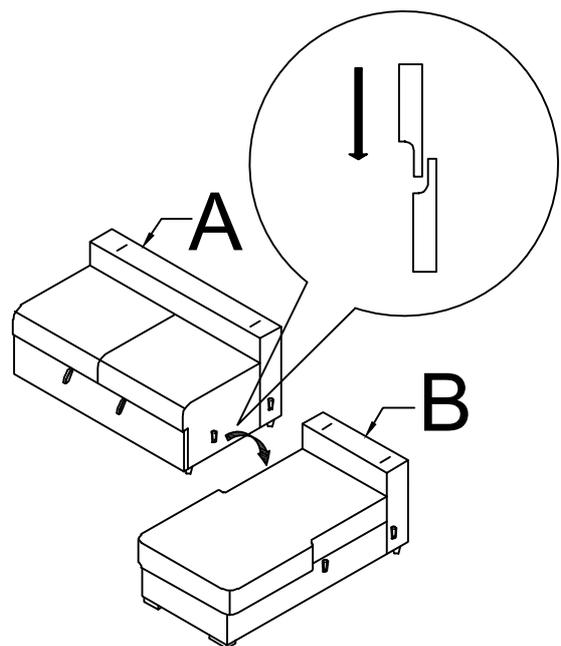


STEP 2

Sofa on the left side assembly

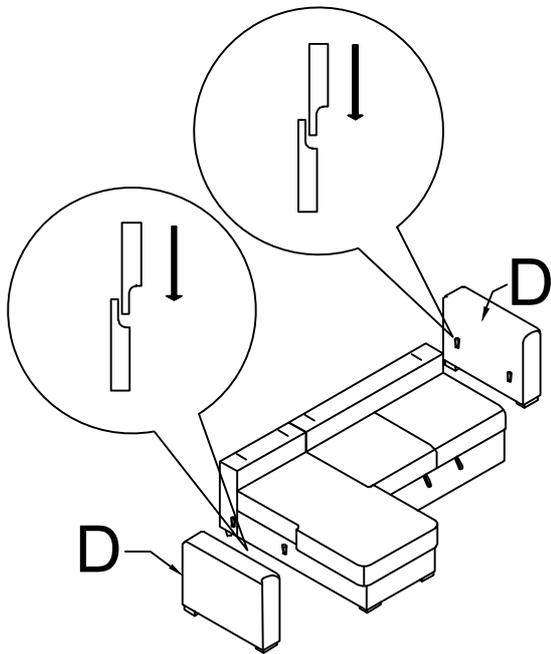


Sofa on the right side assembly

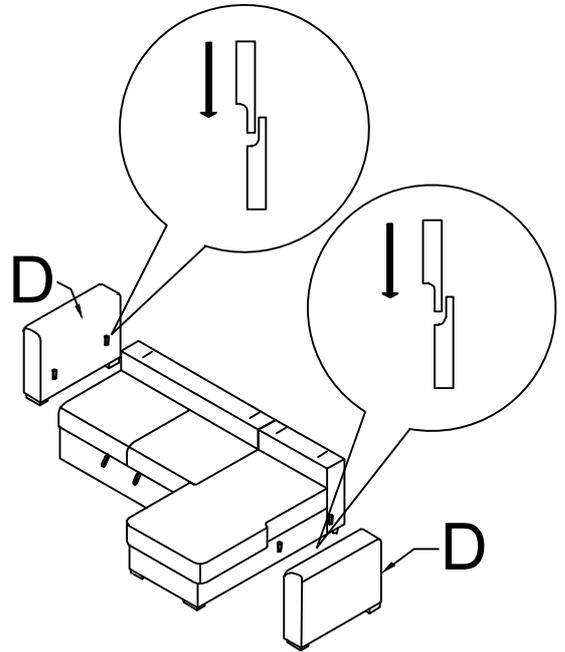


STEP 3

Sofa on the left side assembly

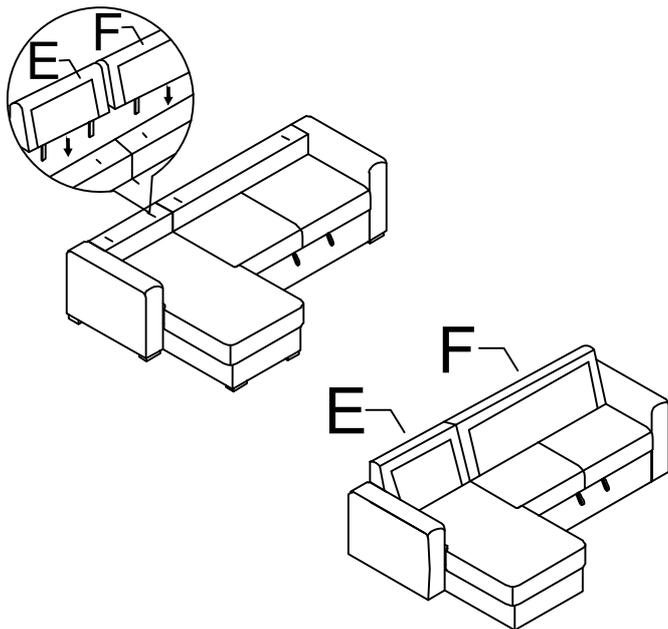


Sofa on the right side assembly

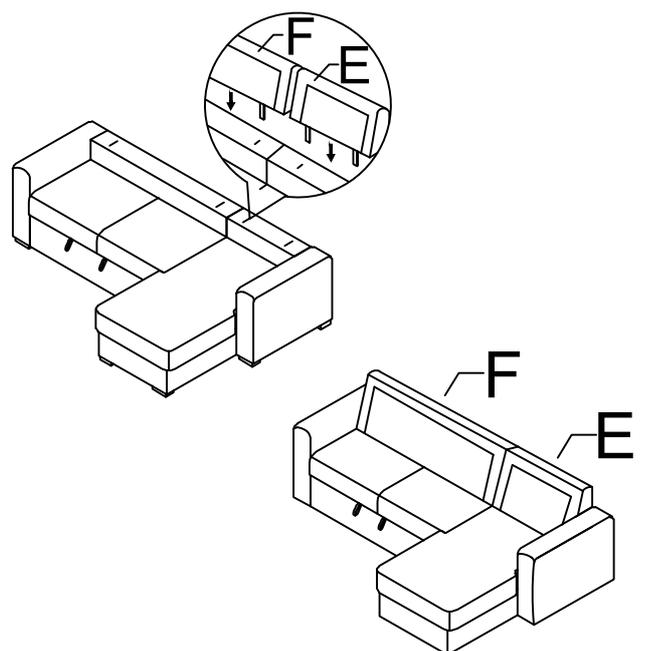


STEP 4

Sofa on the left side assembly

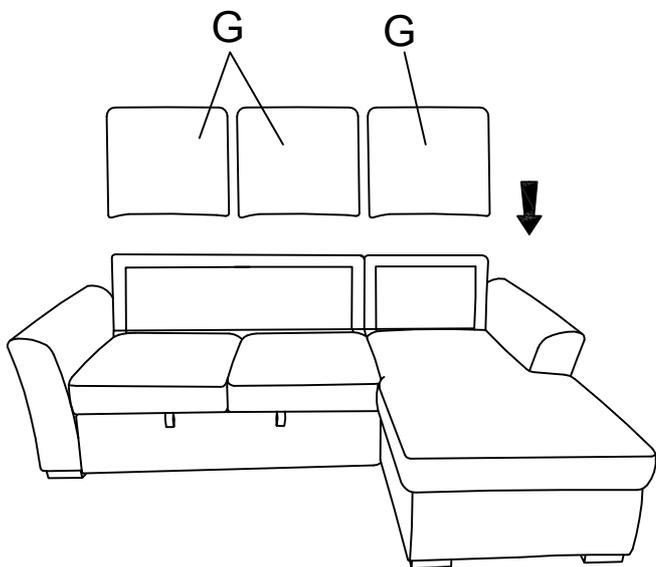


Sofa on the right side assembly

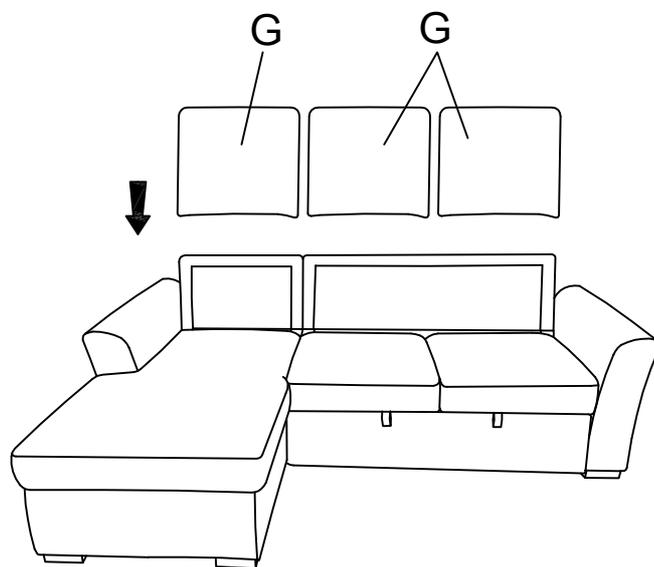


STEP 5

Sofa on the left side assembly

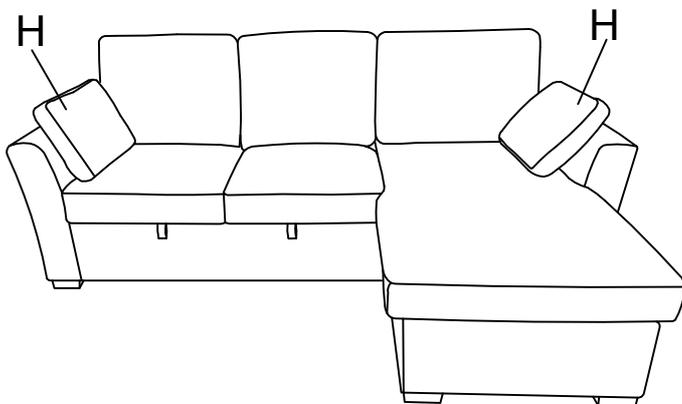


Sofa on the right side assembly

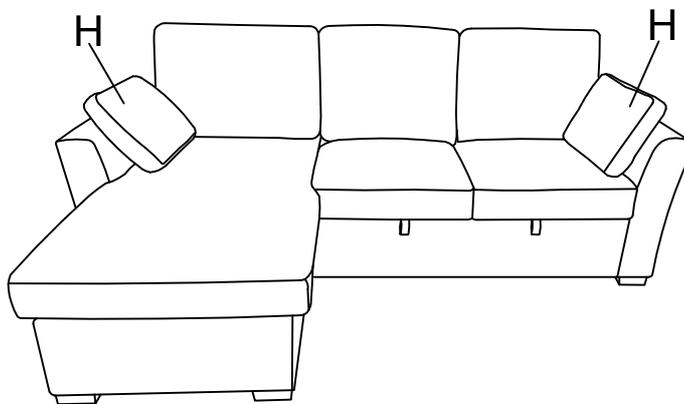


STEP 6

Sofa on the left side assembly

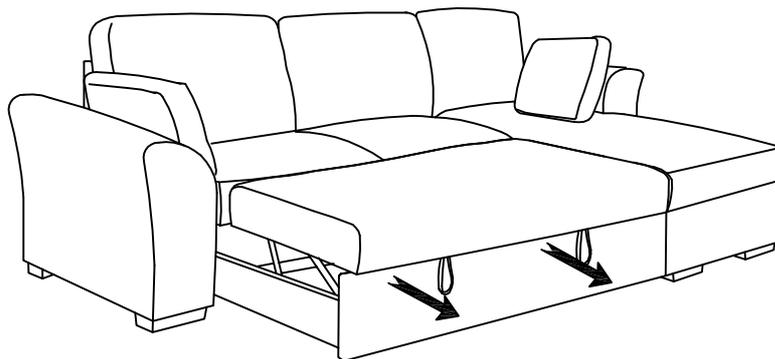
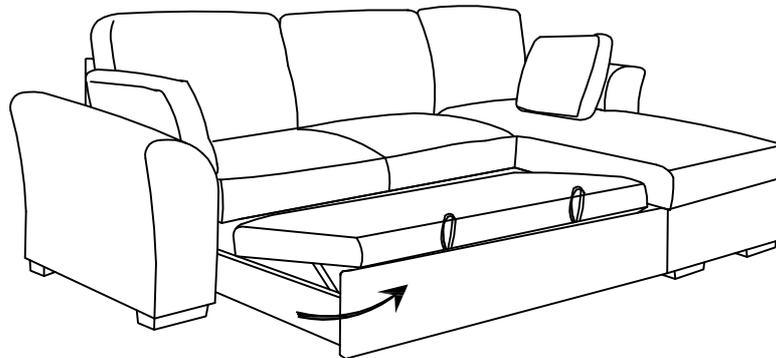
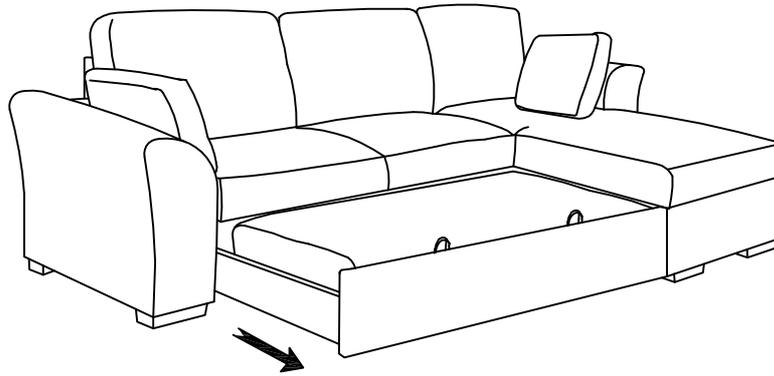


Sofa on the right side assembly



STEP 7

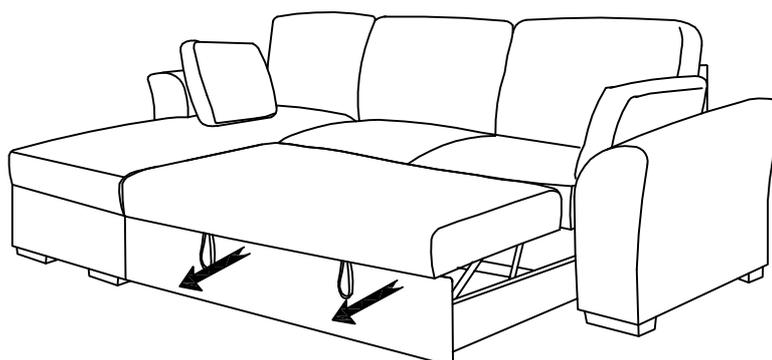
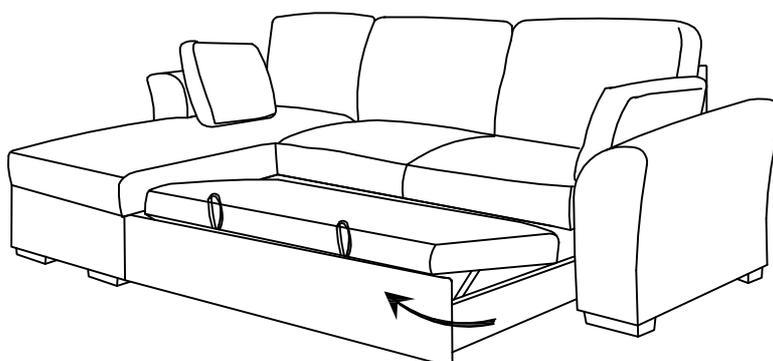
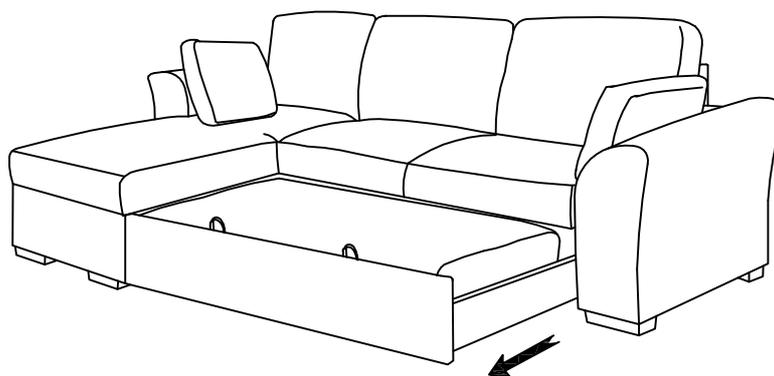
Sofa on the left side assembly



To use the sofa bed, please pull up the cord

STEP 8

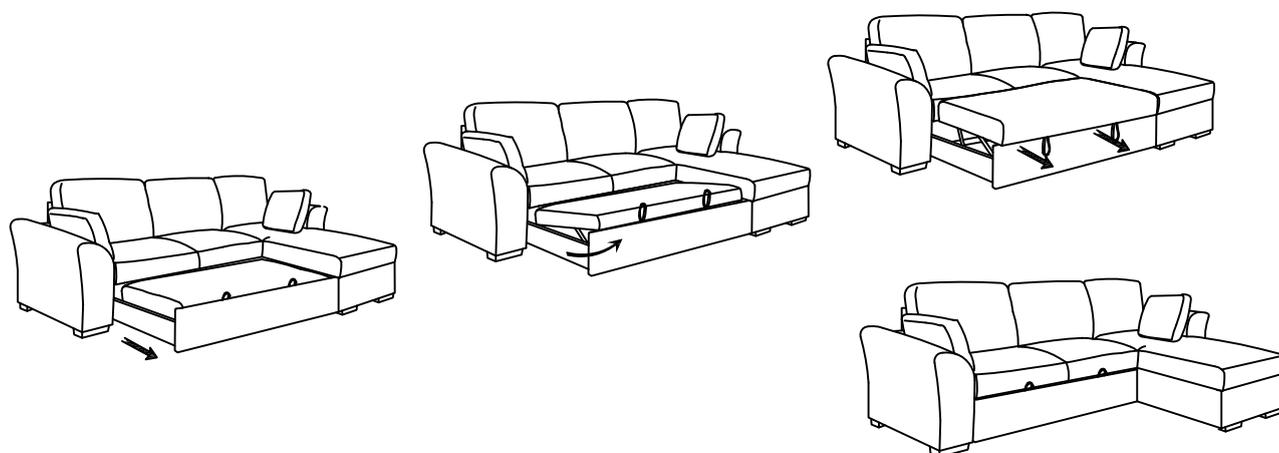
Sofa on the right side assembly



To use the sofa bed, please pull up the cord

OPERATING INSTRUCTIONS

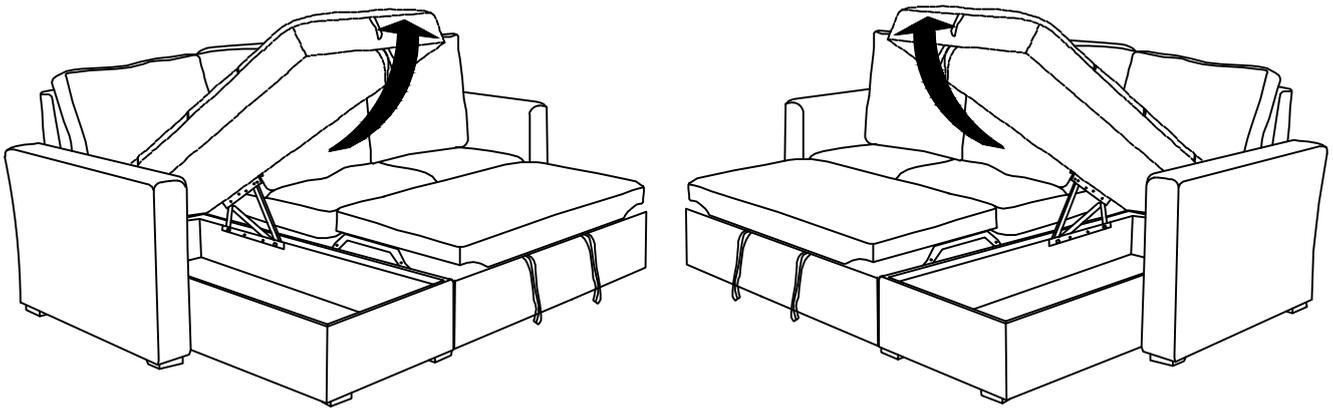
To operate the pop-up bed section of the sofa bed, grasp the strap and pull the drawer out carefully until it is fully extending. When the drawer is fully open, place one hand on top of the pop-up section and grasp the strap with the other hand. Pull upwards and then outwards on the strap, keeping the other hand on top of the pop-up section to ensure a smooth motion, until the pop-up section of the sofa bed is in place.



To collapse the pop-up section, grasp the strap firmly in one hand and place the other hand on top of the drawer. Pull the strap upwards and use the other hand to guide the pop-up section gently back into the drawer. Push the drawer back into the closed position.

WARNING: PULLING TOO HARD OR FAST ON THE STRAP MAY CAUSE DAMAGE TO THE MECHANISM. TAKE CARE NOT TO TRAP FINGERS OR HANDS DURING THE OPERATING OF THIS PRODUCT. DO NOT ALLOW CHILDREN TO PLAY WITH OR RETRACT THE MECHANISM.

To operate the storage section of the sofa bed, grasp the strap firmly with one hand and place the other hand on top of the chaise seat cushion. Pull the strap firmly upwards, keeping the other hand in place to ensure a smooth motion.



To close the storage section, grasp the strap firmly in one hand and place the other on top of the chaise section. Pull down gently on the strap, using the other hand to push down on the chaise and close the storage section.

WARNING: PULLING TOO HARD OR FAST ON THE STRAP MAY CAUSE DAMAGE TO THE MECHANISM. TAKE CARE NOT TO TRAP FINGERS OR HANDS DURING THE OPERATING OF THIS PRODUCT. DO NOT ALLOW CHILDREN TO PLAY WITH OR RETRACT THE MECHANISM.

FABRIC CONTENT: MAIN FABRIC 100% POLYESTER OTHER FABRIC (VISIBLE): NON-WOVEN FABRIC 100% POLYESTER
