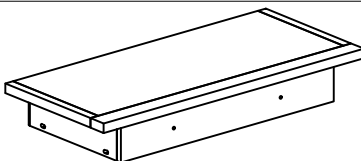
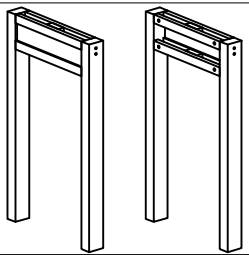
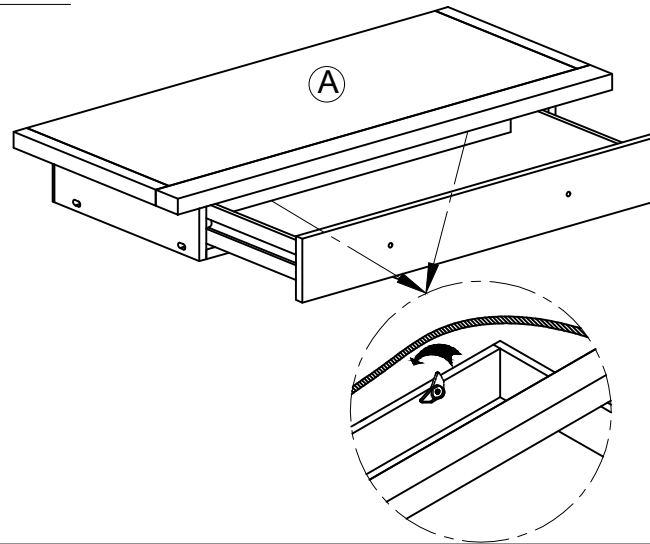


# ASSEMBLY INSTRUCTION

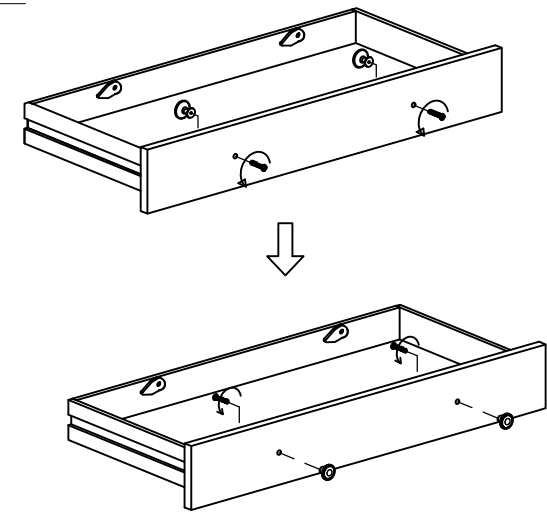
## G5896 - LAPTOP DESK







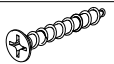

No	Name of Component	Q.ty
Ⓐ	 Table top frame	1
Ⓑ	 Leg Frame	2

**STEP 1** : Take out Drawers

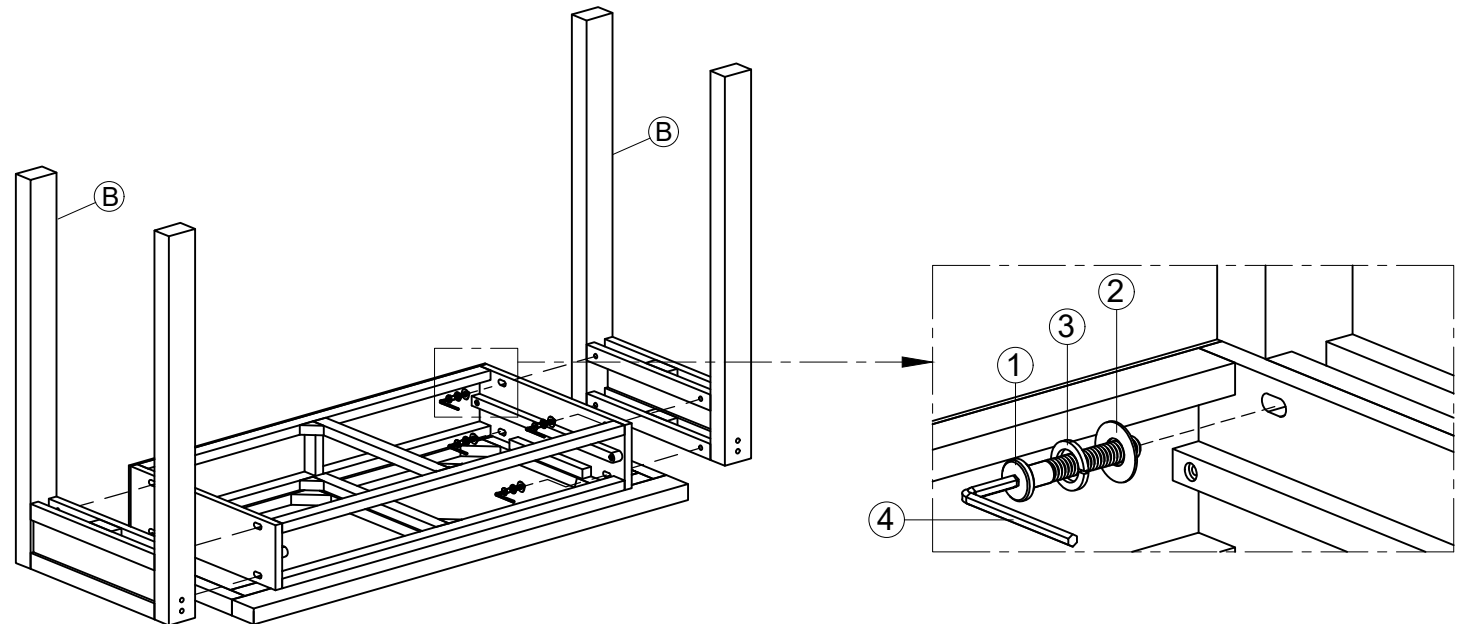


**STEP 2**



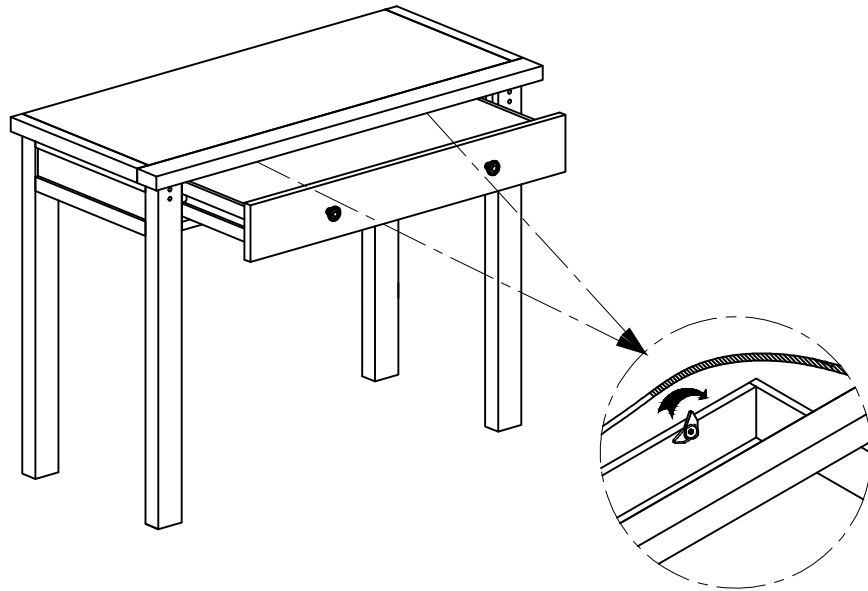
No	Name of Hardware	Q.ty
①	Bolt M6 x 40 	8
②	Washer Ø7/Ø15 x 1 	8
③	Spring Washer Ø7/Ø10 	8
④	Allen key (K4) 	1
⑤	Bracket 	2
⑥	Tie 	1
⑦	Screw Ø4 x 20 	2
⑧	Handle with bolt 	2 (Sets)

**STEP 3**

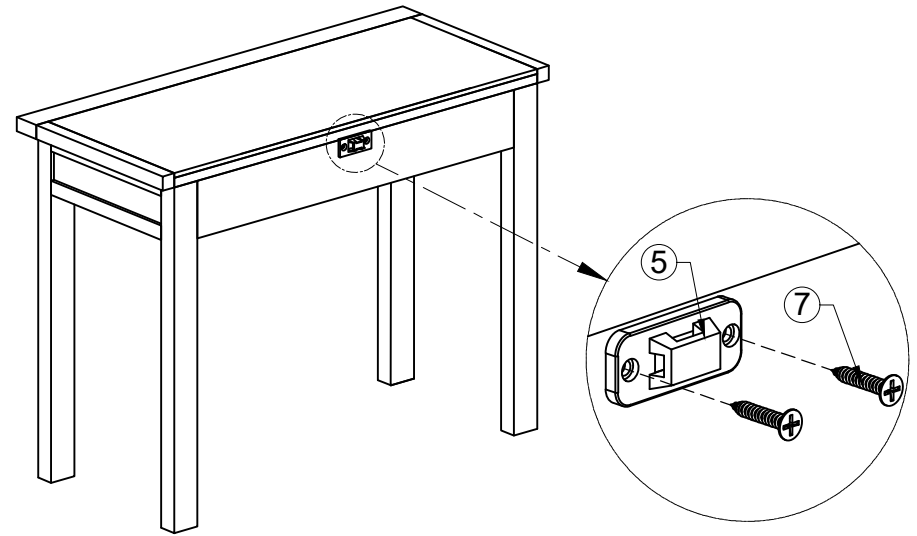


# ASSEMBLY INSTRUCTION G5896 - LAPTOP DESK

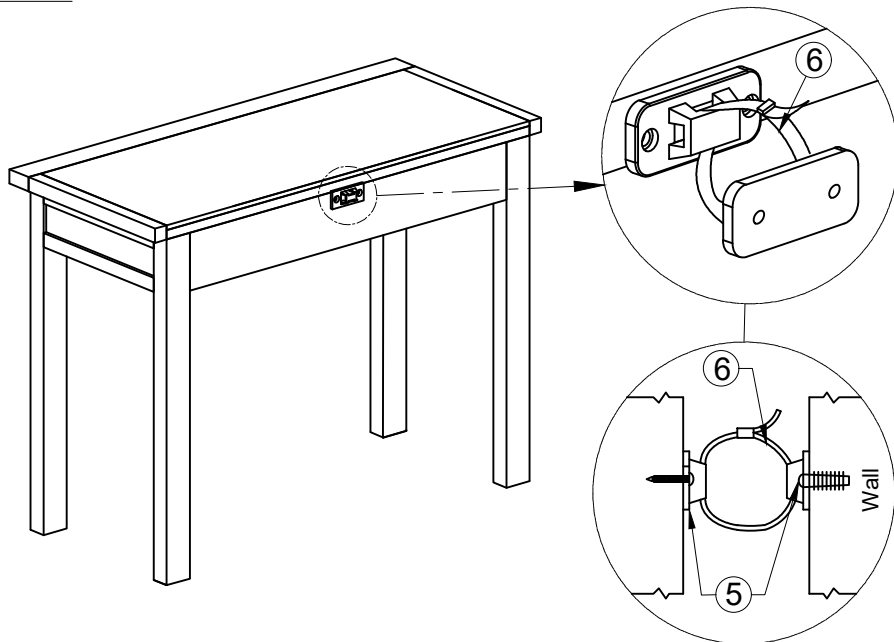
STEP 4



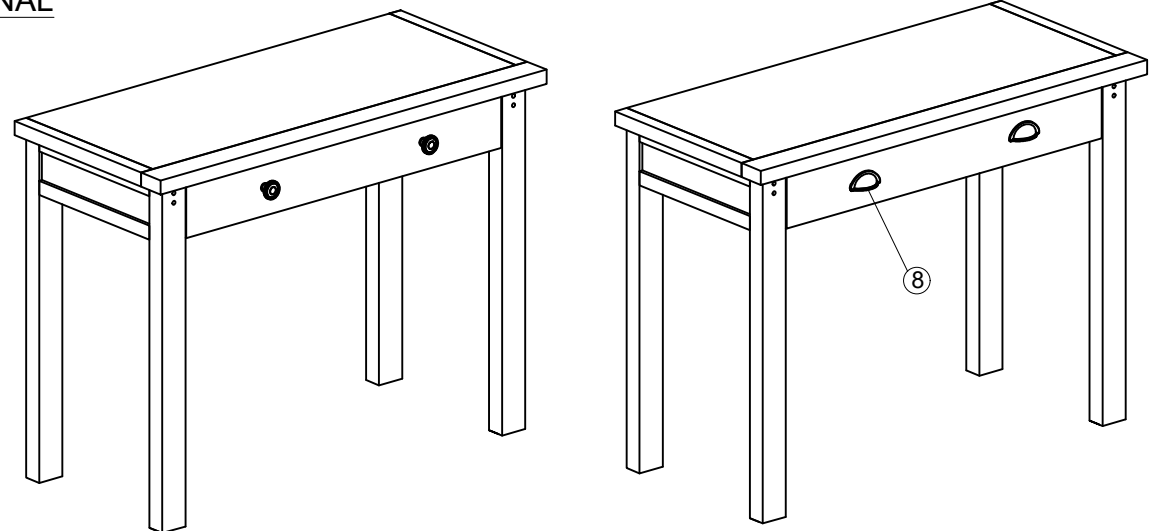
STEP 5



STEP 6



FINAL



OPTION 2 : Replace the knob handles with the cup handles .