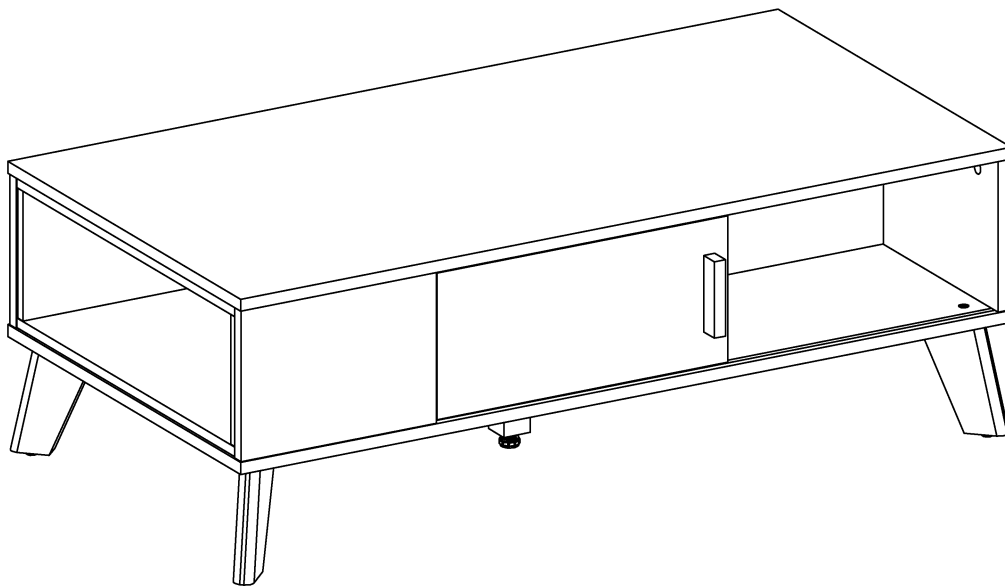


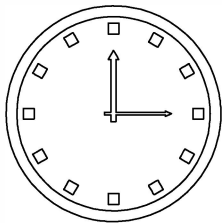
ASSEMBLY INSTRUCTION
KELSO COFFEE TABLE
520401



Keep these instructions for future reference

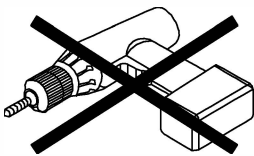
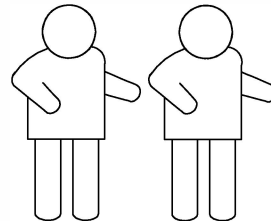
WARNING

Read instructions carefully. Check no parts are missing.
Assemble the furniture on a soft level surface to avoid damaging the furniture or your floor.
Carefully identify each component, especially those that are similar.
The most common mistake is getting things back to front.
Separate and identify each component from the hardware pack and rest each one in it's proper location before fastening.
We recommend furniture be assembled near where they will be placed, to avoid moving the product unnecessarily once assembled.
If there is a need to move the furniture, please remove all loose items and have extra hands to help lift the furniture to the desired location. Dragging the furniture will damage both the furniture and the floor.
Regularly check and re-tighten (if necessary) all bolts on furniture that you have assembled yourself.



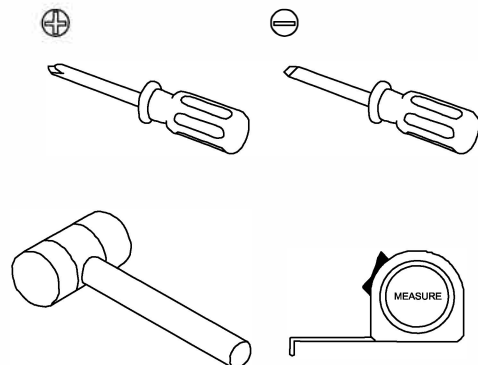
ALLOW 45 MIN

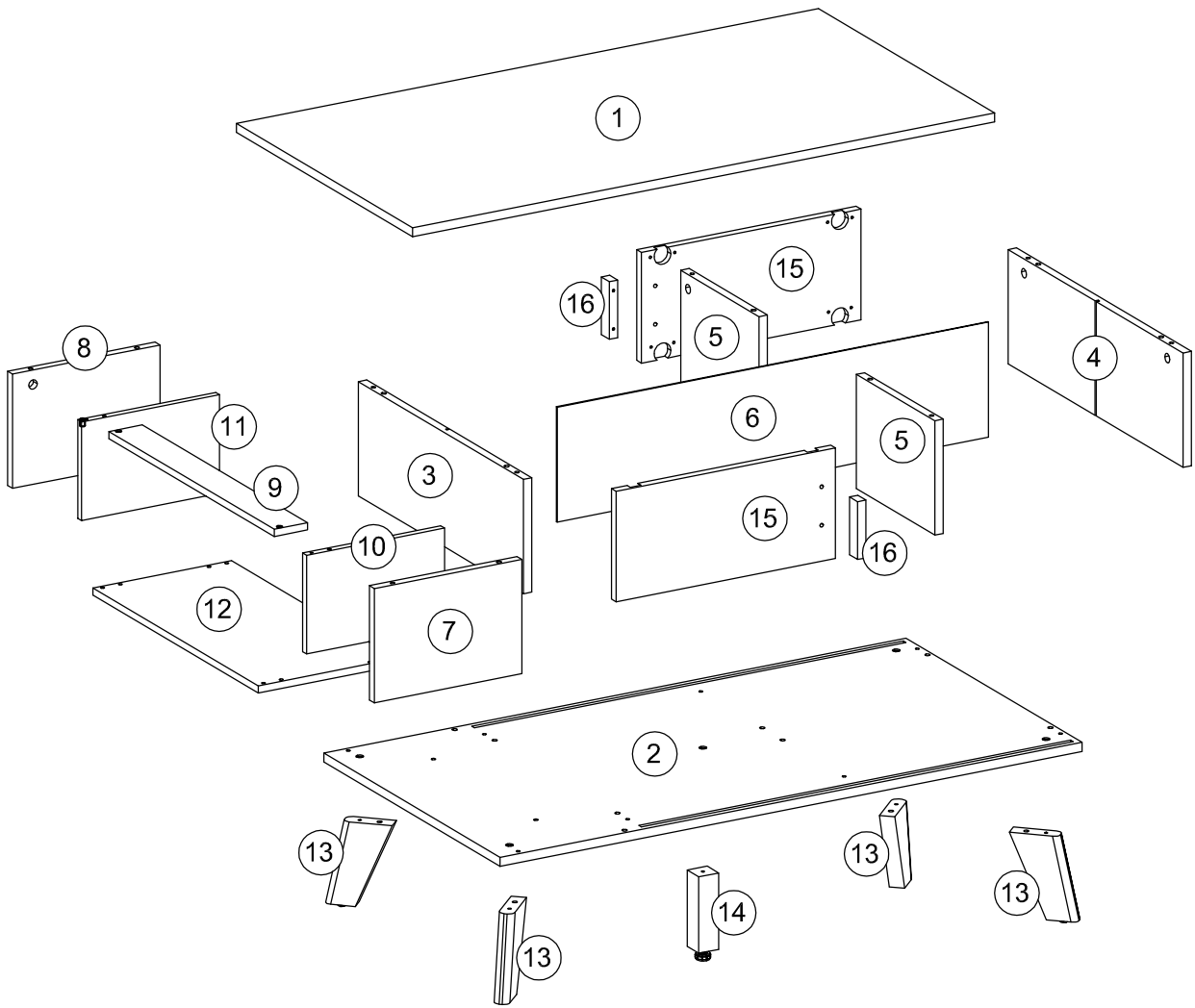
2 Persons Required



DO NOT USE ON PRODUCT

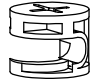







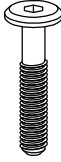



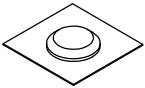
Tools Required



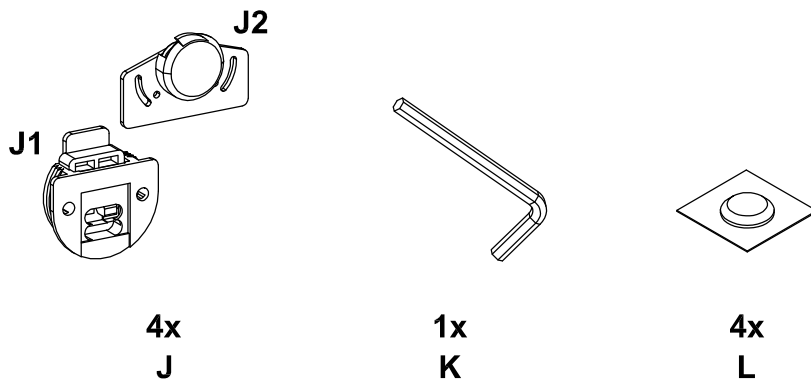
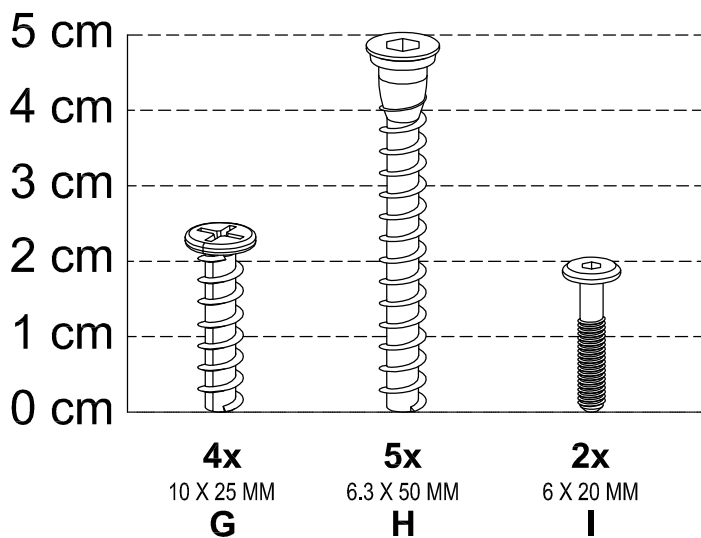
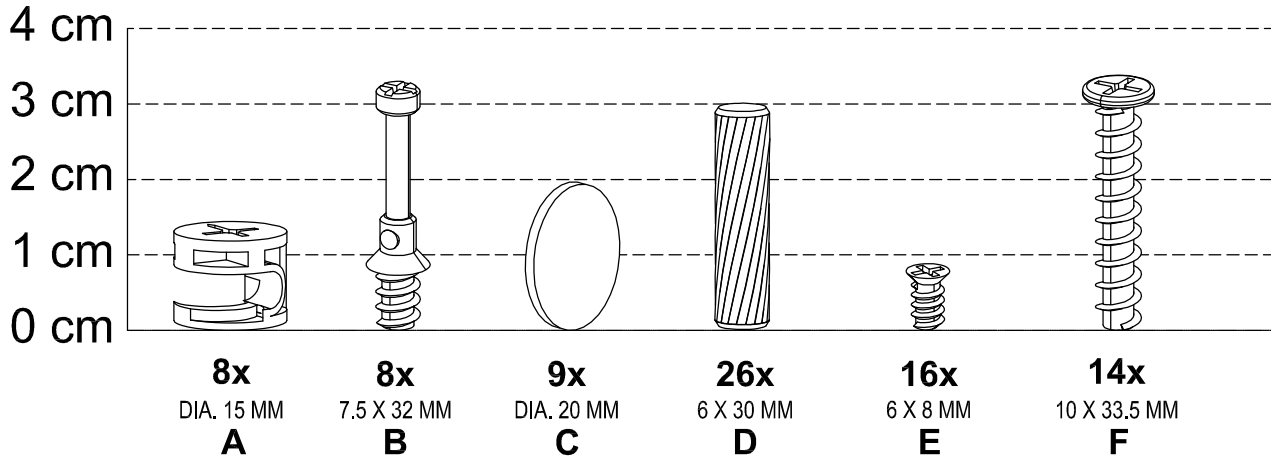


CHECK LIST

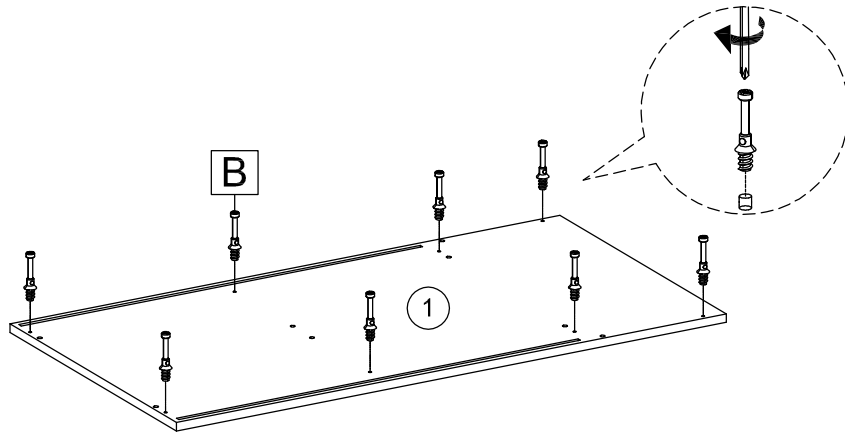


<p>A <input type="checkbox"/></p>  <p>Ø15 mm Ax8</p>	<p>B <input type="checkbox"/></p>  <p>Ø7,5x32 mm Bx8</p>	<p>C <input type="checkbox"/></p>  <p>Ø20 mm Cx9</p>	<p>D <input type="checkbox"/></p>  <p>Ø8x32 mm Dx26</p>	<p>E <input type="checkbox"/></p>  <p>M6x8 mm Ex16</p>
<p>F <input type="checkbox"/></p>  <p>M10x33,5 mm Fx14</p>	<p>G <input type="checkbox"/></p>  <p>M10x25 mm Gx4</p>	<p>H <input type="checkbox"/></p>  <p>M6,3x50 mm Hx5</p>	<p>I <input type="checkbox"/></p>  <p>M6x20 mm Ix2</p>	<p>J <input type="checkbox"/></p>   <p>Jx4</p>
<p>K <input type="checkbox"/></p>  <p>Kx1</p>	<p>L <input type="checkbox"/></p>  <p>Lx4</p>			

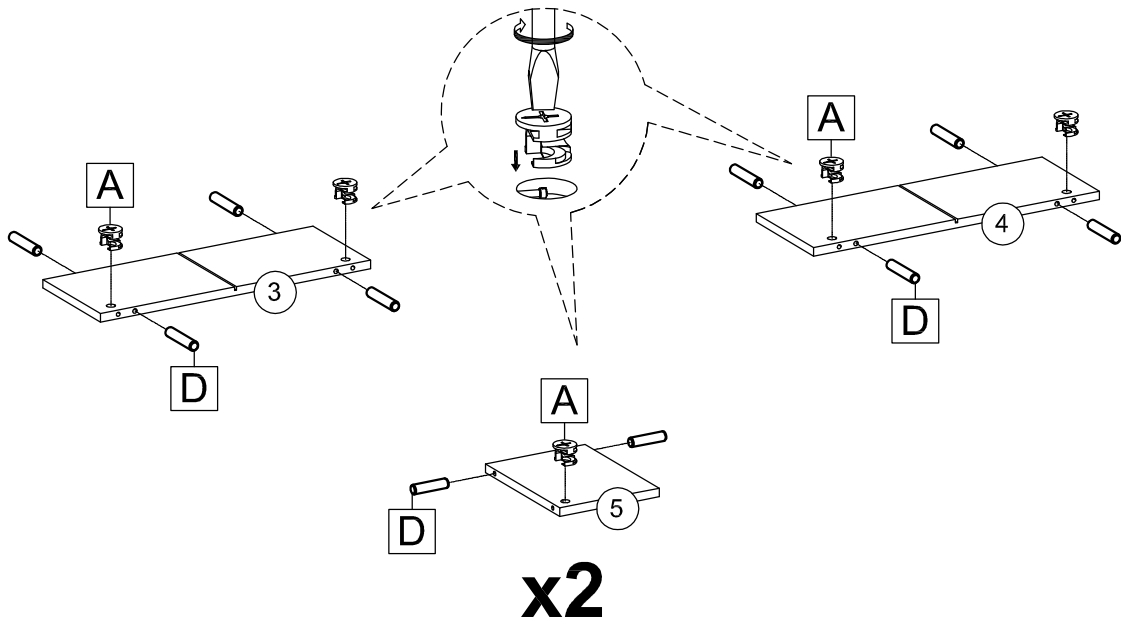
HARDWARE LIST



1



2



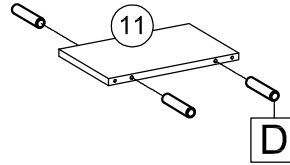
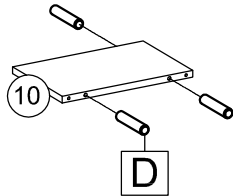
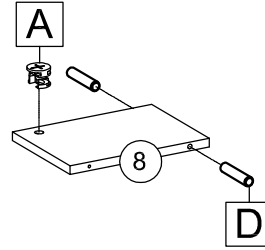
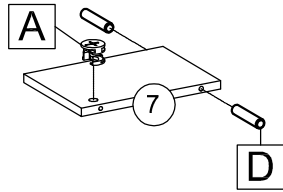
3



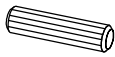
Ax2



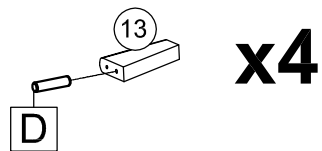
Dx10



4



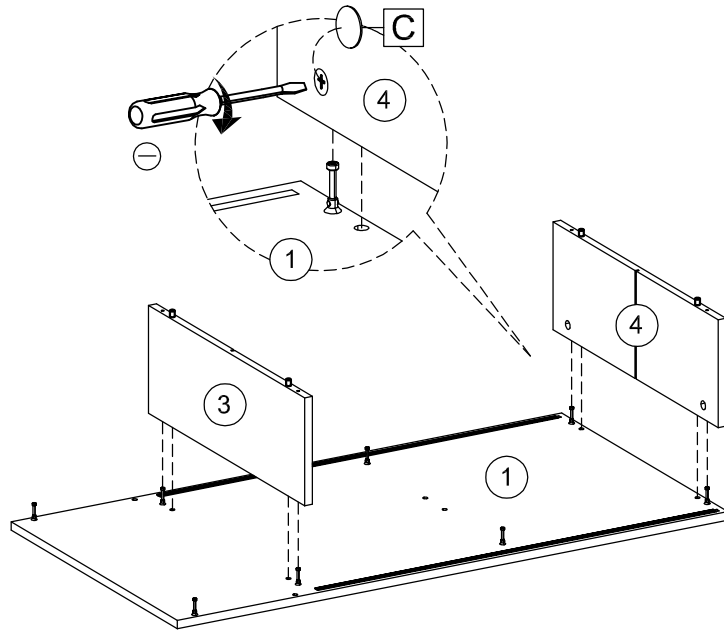
Dx4



5



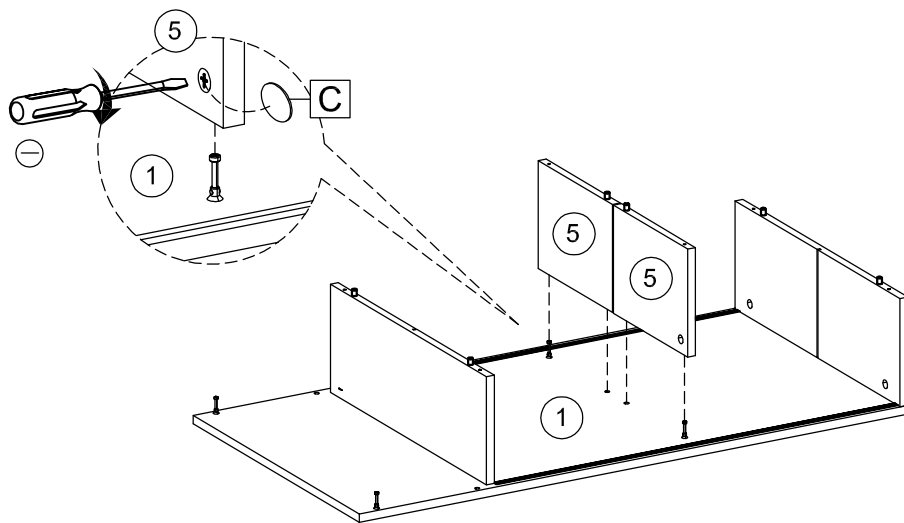
Cx4



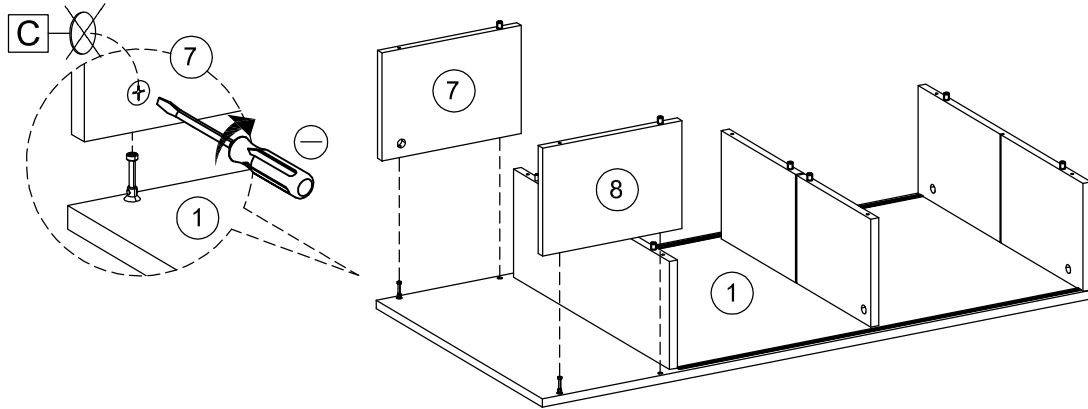
6



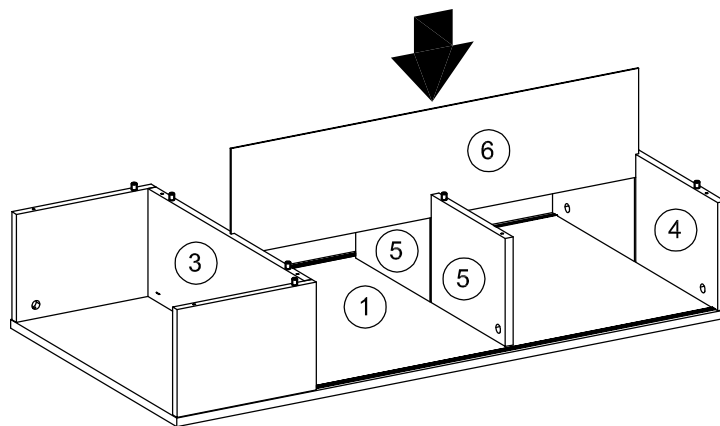
Cx2



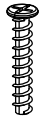
7



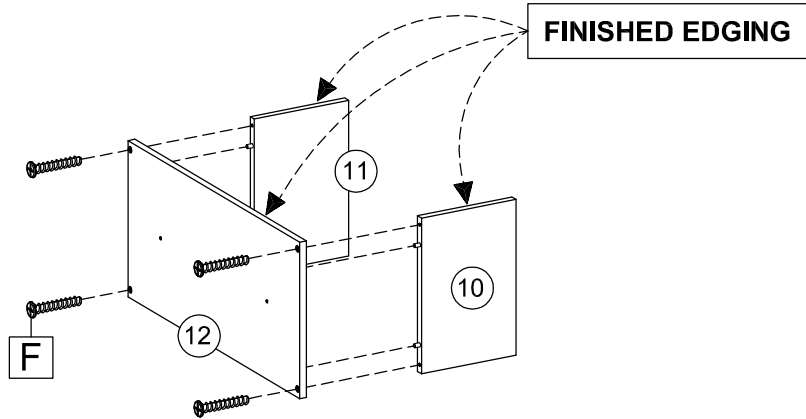
8



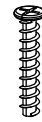
9



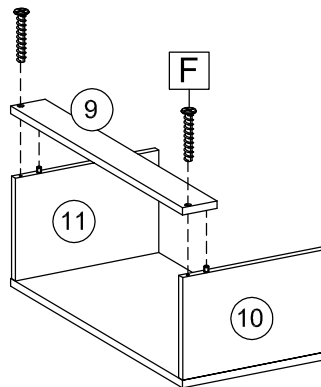
Fx4



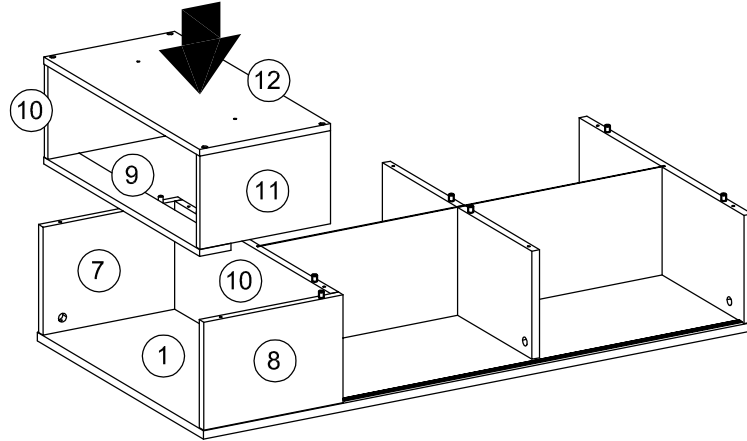
10



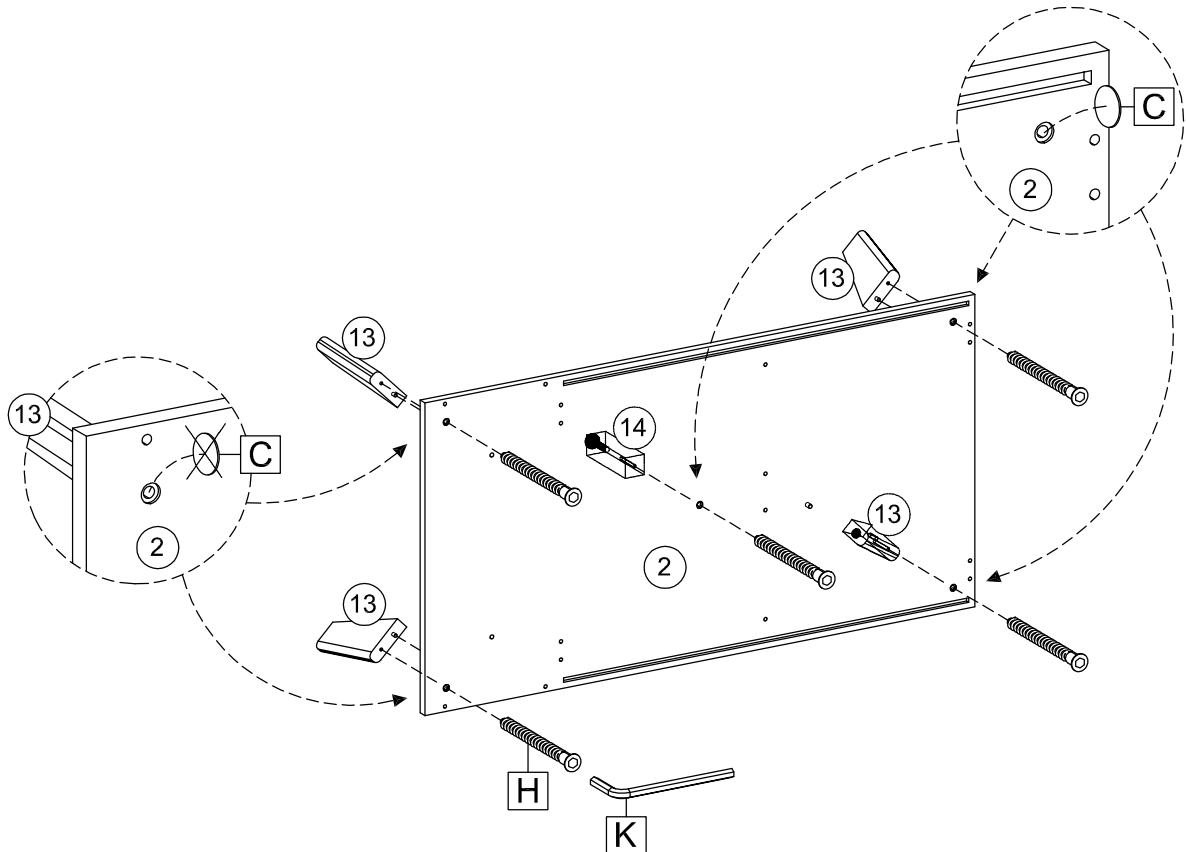
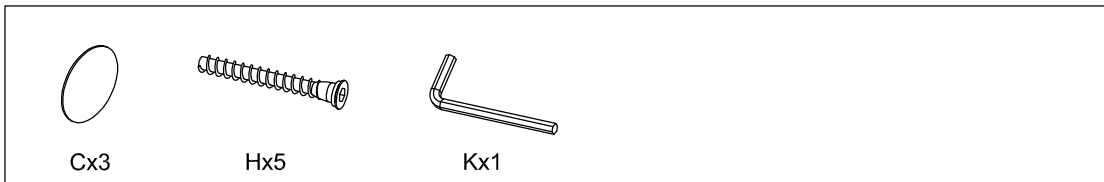
Fx2



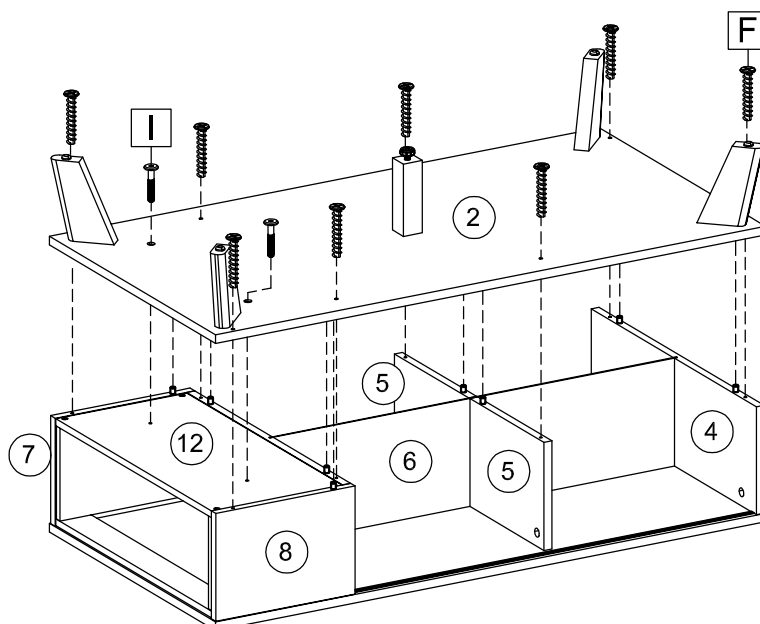
11



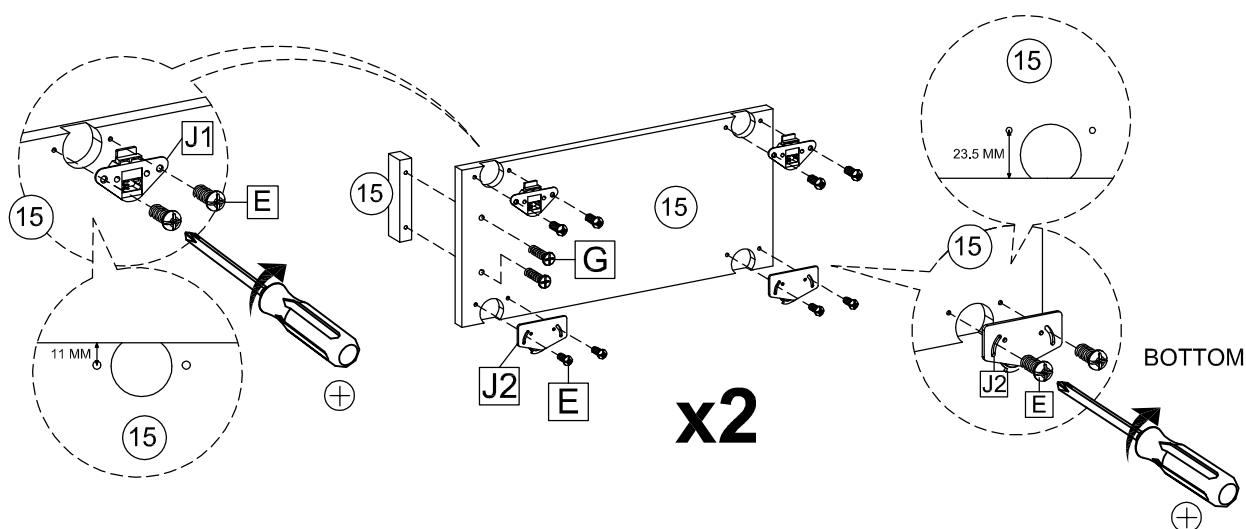
12



13



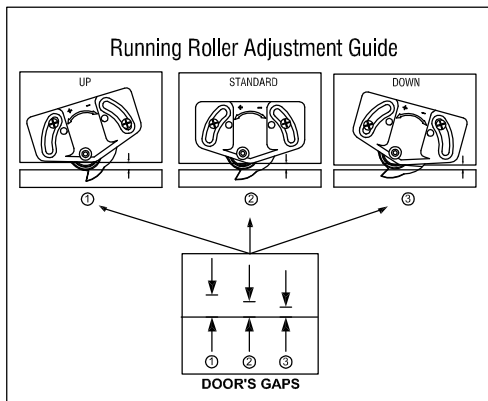
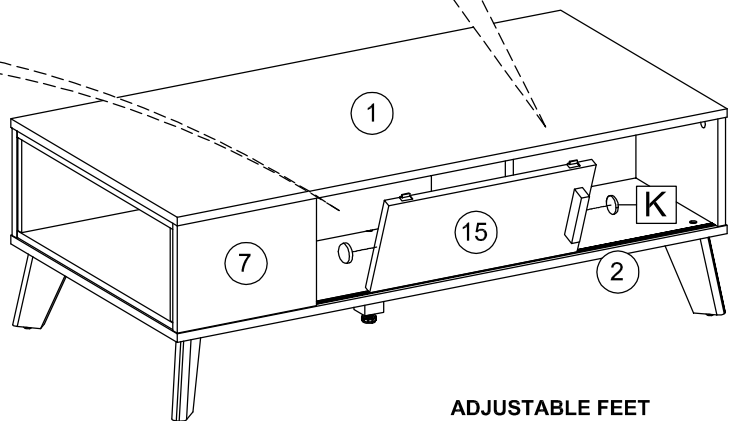
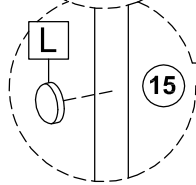
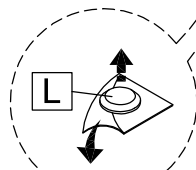
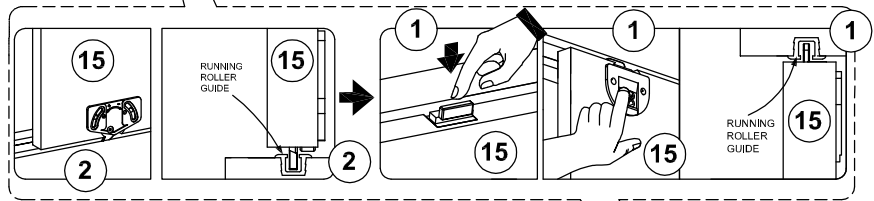
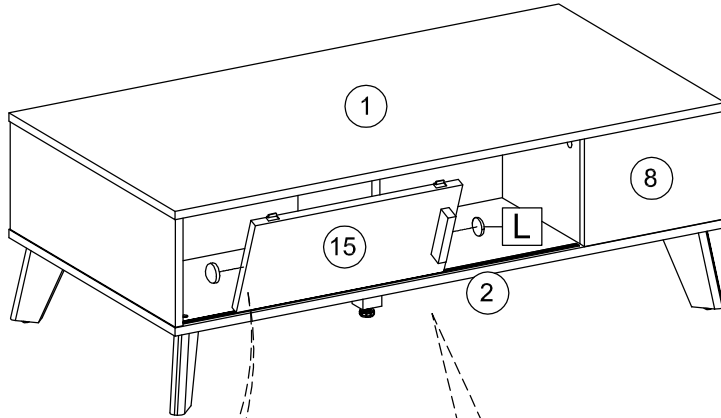
14



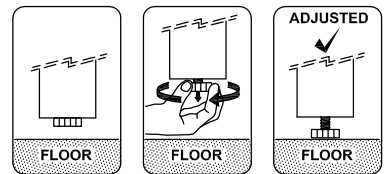
15



Lx4



ADJUSTABLE FEET



CENTER LEG ADJUSTMENT MAY BE REQUIRED ON UNFLAT FLOOR

16

