



KY370 SOFA BED

Thank you for your purchase. The following care instructions will allow you to make the most of your sofa bed; helping to prolong the look and life of it by preventing wear and damage.

IMPORTANT INFORMATION
PLEASE ENSURE YOU READ THIS LEAFLET BEFORE USING YOUR SOFA BED. DO NOT DISCARD OF ANY PACKAGING UNTIL YOU HAVE CHECKED THE PRODUCT THOROUGHLY.

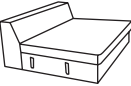
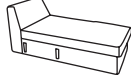
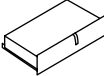

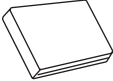





CARING FOR YOUR SOFA BED

- Pre-brush fabric with a soft brush and then gently vacuum.
- Plump any accent/removable cushions regularly to prevent them becoming mis-shaped or flat.
- Use a microfibre cloth to remove dust from wooden surfaces.
- In the event of a spill or stain, use specialist upholstery cleaner or cleaning services.

SUNLIGHT AND HEAT DAMAGE

- Avoid contact with direct sunlight. If needed, move items or change their position to avoid the same area being exposed to repeated sunlight/heat.
- Do not place your sofa bed close to fire places and/or radiators.
- Hot objects such as mugs/plates can permanently mark the fabric and wood, avoid placing these on the sofa bed.

PARTS LIST

| IMAGE | DESCRIPTION | PART NO. | QTY |
|---|----------------|----------|-----|
|  | Seat Section | A | 1 |
|  | Chaise Section | B | 1 |
|  | Pop Up Section | C | 1 |
|  | Arm | D | 2 |
|  | Back Cushion | E | 3 |
|  | Main Leg | F | 10 |
|  | Support Leg | G | 4 |
|  | Castor | H | 4 |
|  | Bolt | I | 8 |
|  | Allen key | J | 1 |

USING YOUR SOFA BED

FROM SOFATO BED: Carefully, pull the Pop Up Section out using the handle, then gripping the edge of the drawer to open it out fully. Use the handle to pull the Pop Up Section up and gently push it into place.

FROM BED TO SOFA: Use the handle to pull the Pop Up Section up and gently push it back down into the drawer, then tuck the drawer underneath the sofa.

To operate the storage section of the sofa bed, grasp the strap firmly with one hand and place the other hand on top of the chaise. Pull the strap upwards, keeping the other hand in place to ensure a smooth motion.

FABRIC CONTENT
MAIN FABRIC 100% POLYESTER
OTHER FABRIC (VISIBLE)
NON-WOVEN FABRIC 100% POLYESTER

- Do not allow children or pets to climb or jump on the sofa bed.
- Avoid contact with sharp objects such as buckles, toys and jewellery as these can easily snag, tear and/or pull the fabric.

ENTRAPMENT WARNING

- Avoid the risk of entrapment by using the sofa bed as intended; sitting facing forward on the seat.
- Do not allow children to operate the sofa bed mechanism.
- Storage compartment is for storing items ONLY. Do not climb in or allow children to climb in.

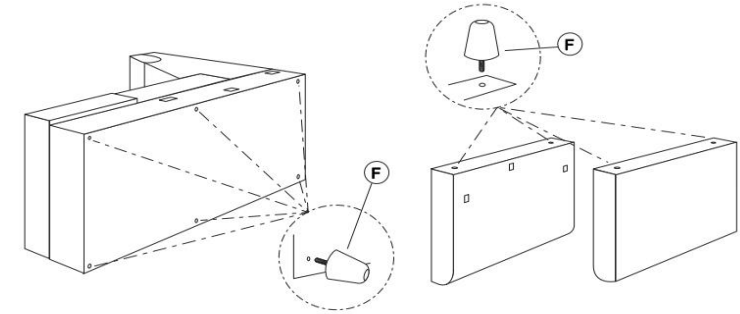
ASSEMBLY INSTRUCTIONS

Unpack your sofa bed and check that all the parts on the Parts List are present. If any are missing, please contact the retailer from whom you purchased the product.

We would advise having two people to assemble this product.

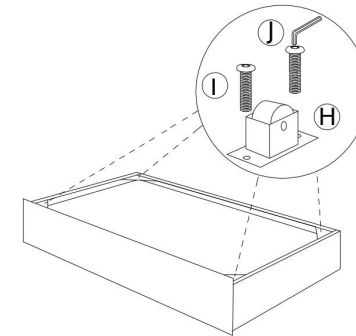
STEP 1

Place the chaise section and arms on a clean surface and screw in the legs (F).



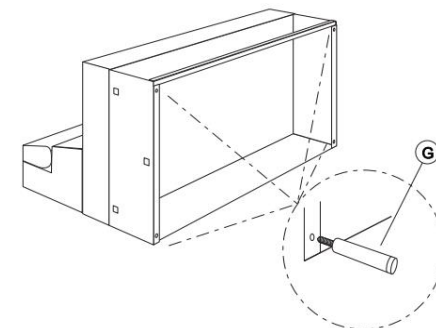
STEP 2

Fix the four castors (H) to the underside of the pull out section using the bolts (I) and the Allen Key (J).



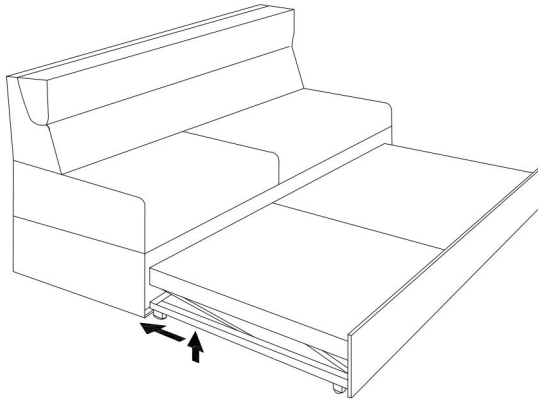
STEP 3

Fix the four support legs (G) to the 2 seat section of the sofa



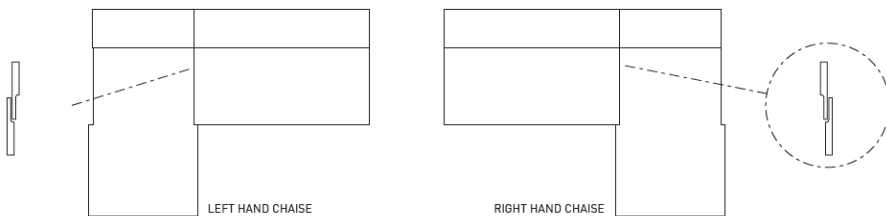
STEP 4

Carefully slide the 'pull out' section under the sofa lifting it over the stoppers.



STEP 5

To put the sofa bed together, first choose whether the chaise should be left or right hand facing. Align the chaise and two seater sections of the sofa bed. The section with the downward facing brackets should be lifted up slightly so that the male and female brackets line up, then pushed down firmly so the brackets connect.



STEP 6

The arm with the upward facing bracket should be aligned with the other end of the sofa bed. The section with the downward facing brackets should then be lifted carefully so that it aligns with the brackets on the arm. Once the brackets are aligned, push down firmly on the sofa bed section so that the brackets connect. The arms can then be secured on the ends of the sofa bed. The arm with the downward facing brackets should be aligned with the end of the chaise/2 seater section with upward facing brackets and then pushed down firmly to connect. Align brackets then push arm down firmly.

