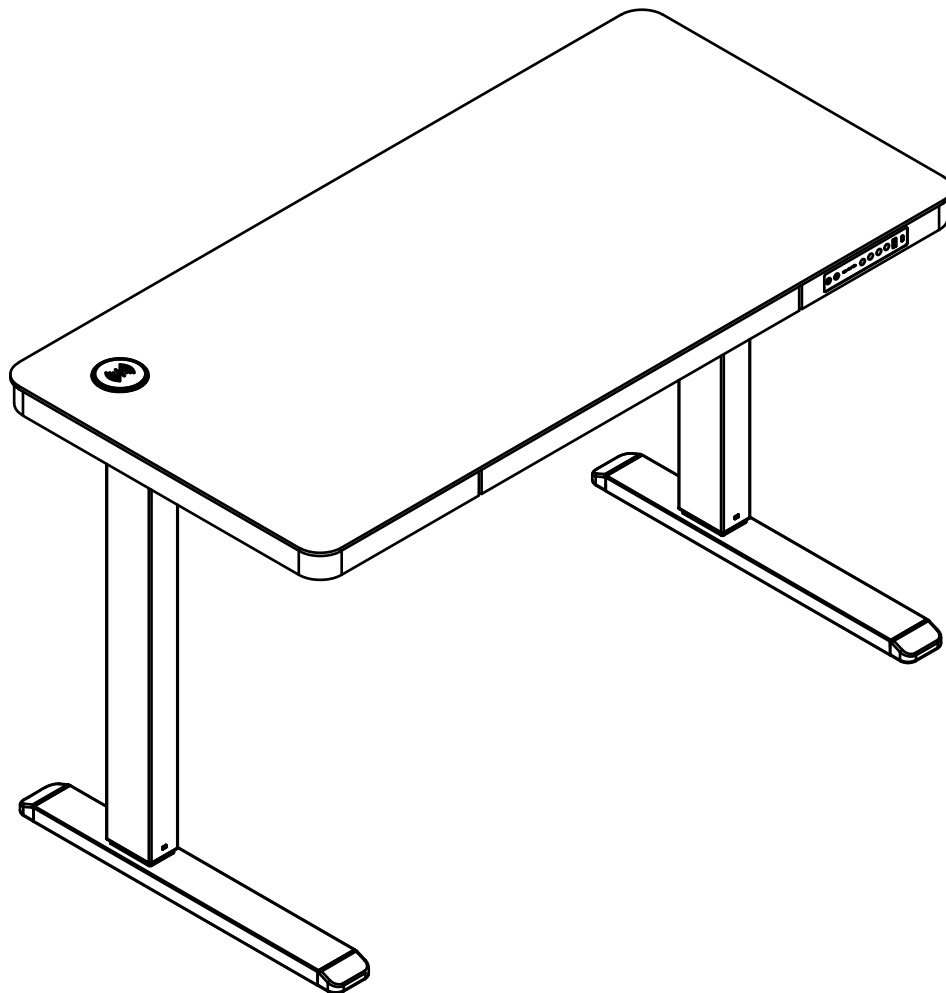




www.koblesigns.com

Juno 4.0 Height Adjustable Desk Assembly Instructions

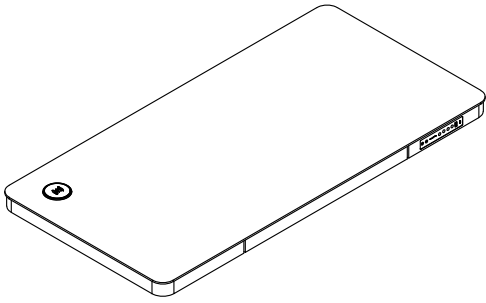


STOCK Ref.: DOJUNB4/DOJUNW4

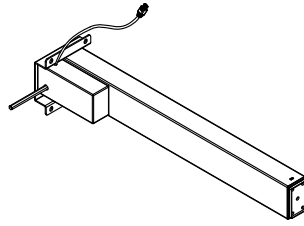
Imported By: Koble Designs (Justwise Group Ltd). CB11 3AP.

Main Components

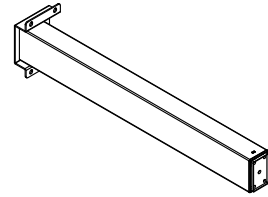
Please check you have all the parts listed below



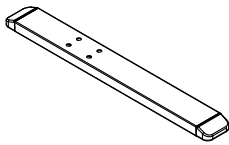
1 Table top Qty 1



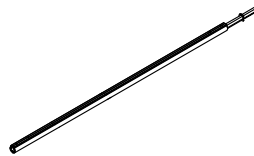
2 Leg (With motor) Qty 1



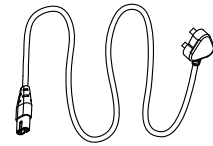
3 Leg Qty1



4 Foot Qty 1



5 Transmission Rod Qty 1

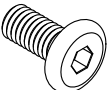
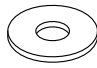
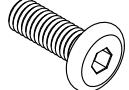
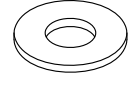


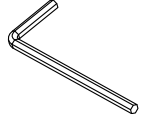




6 2M Power Cable Qty1

Fixings, Fittings And Tools

Please check all the fittings listed below

Note: The quantities below are the correct amount to complete the assembly. In some case more fittings may be supplied than be required.

<p>A</p>  <p>M6*15mm Screw Qty 8</p>	<p>B</p>  <p>Ø16.5mm Washer Qty 8</p>	<p>C</p>  <p>M8*40mm Screw Qty 8</p>	<p>D</p>  <p>Ø18.5mm Washer Qty 8</p>
<p>E</p>  <p>M5*5mm Instrument Screw Qty 4</p>	<p>F</p>  <p>M8 Open-Allen key Qty 1</p>	<p>G</p>  <p>M5 Allen key Qty 1</p>	<p>H</p>  <p>M2.5 Allen key Qty 1</p>
<p>I</p>  <p>M4 Allen key Qty 1</p>			

For missing or damaged parts, call our Customer Helpline: 01799 513466 or email help@koble designs.com

Assembly Step

Step 1

1. Carefully place table top **1** upside down onto a clean flat surface.

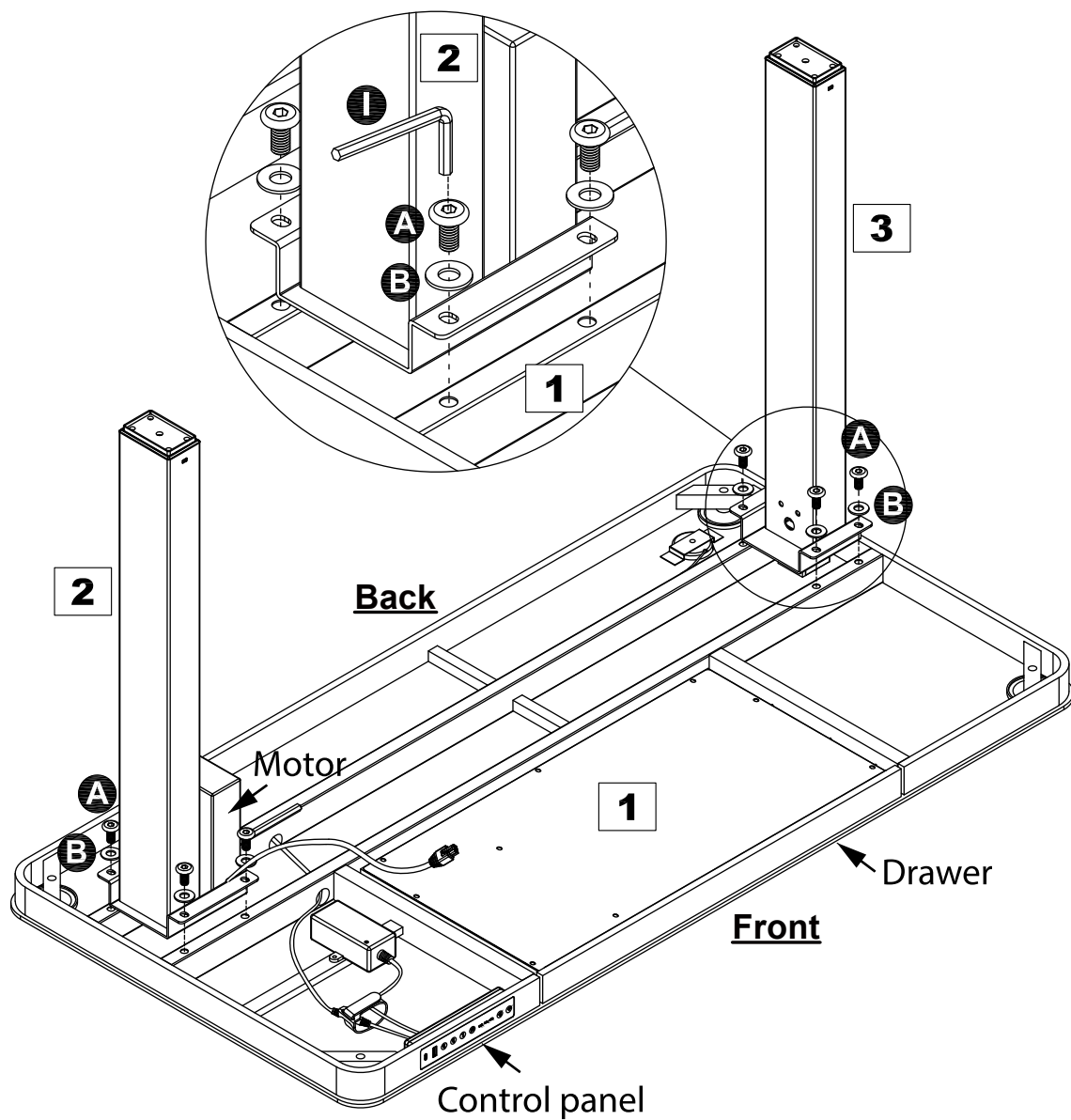
2. Assemble leg **2** (with motor) in the location shown.

Secure using fixings **A** and **B**

3. Assemble leg **3** using fixings **A** and **B**

Tip:

Do not locking screws **A** and **B** , before ensure **5** locking screws are done!



A



M6*15mm Screw Qty 8

B



Ø16.5mm Washer Qty 8

L



M4 Allen key Qty 1

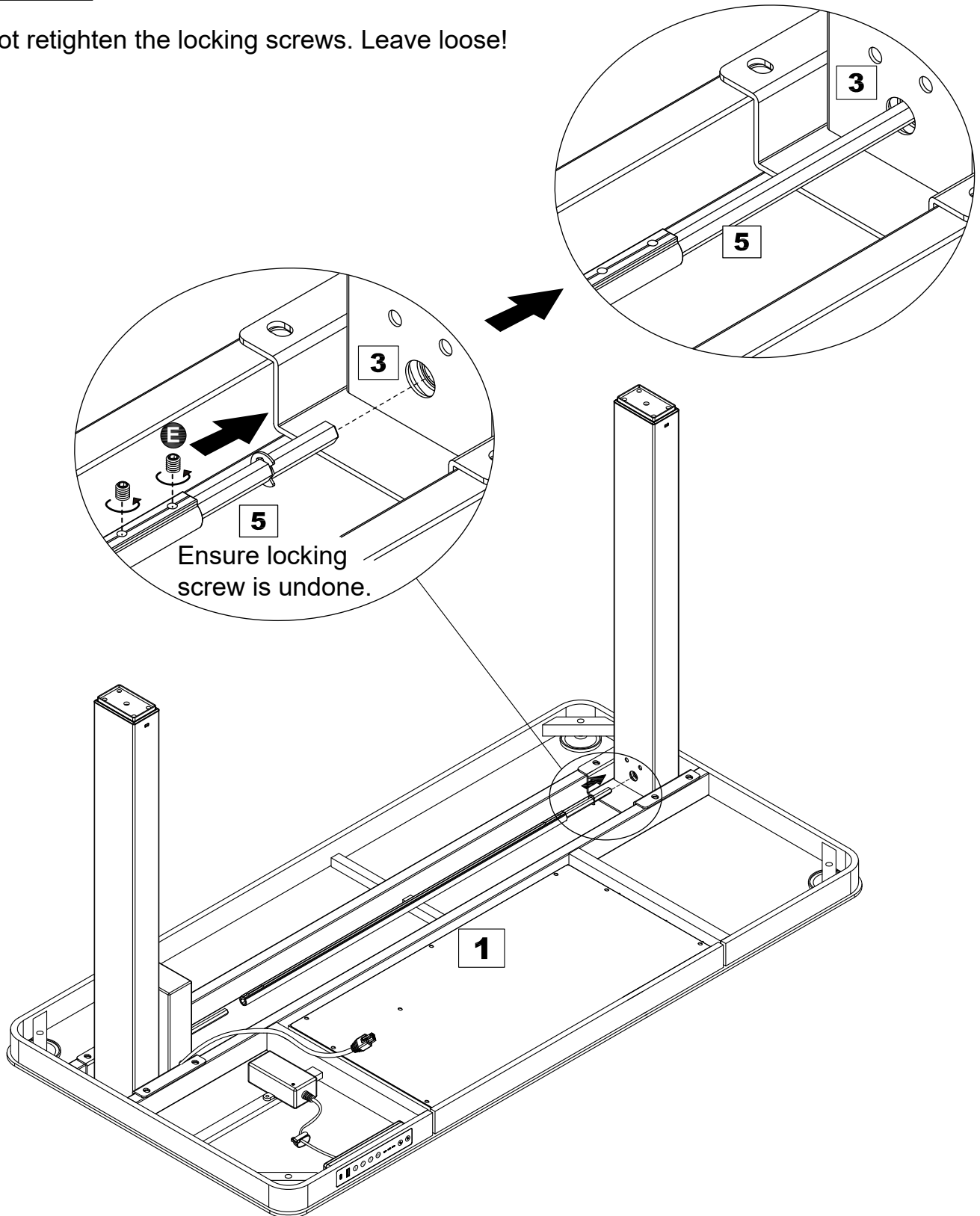
Step 2

Ensuring the locking screws in transmission rod **5** are undone, slide the hexagonal rod at one end of transmission rod **5** into the hexagonal hole of the leg **3**.

Ensure it is pushed all the way in up to the metal collar as shown.

Important

Do not retighten the locking screws. Leave loose!



E



M5*5mm Instrument
Screw Qty 2

F



M8 Open-Allen key Qty 1

H



M2.5 Allen key Qty 1

Step 3

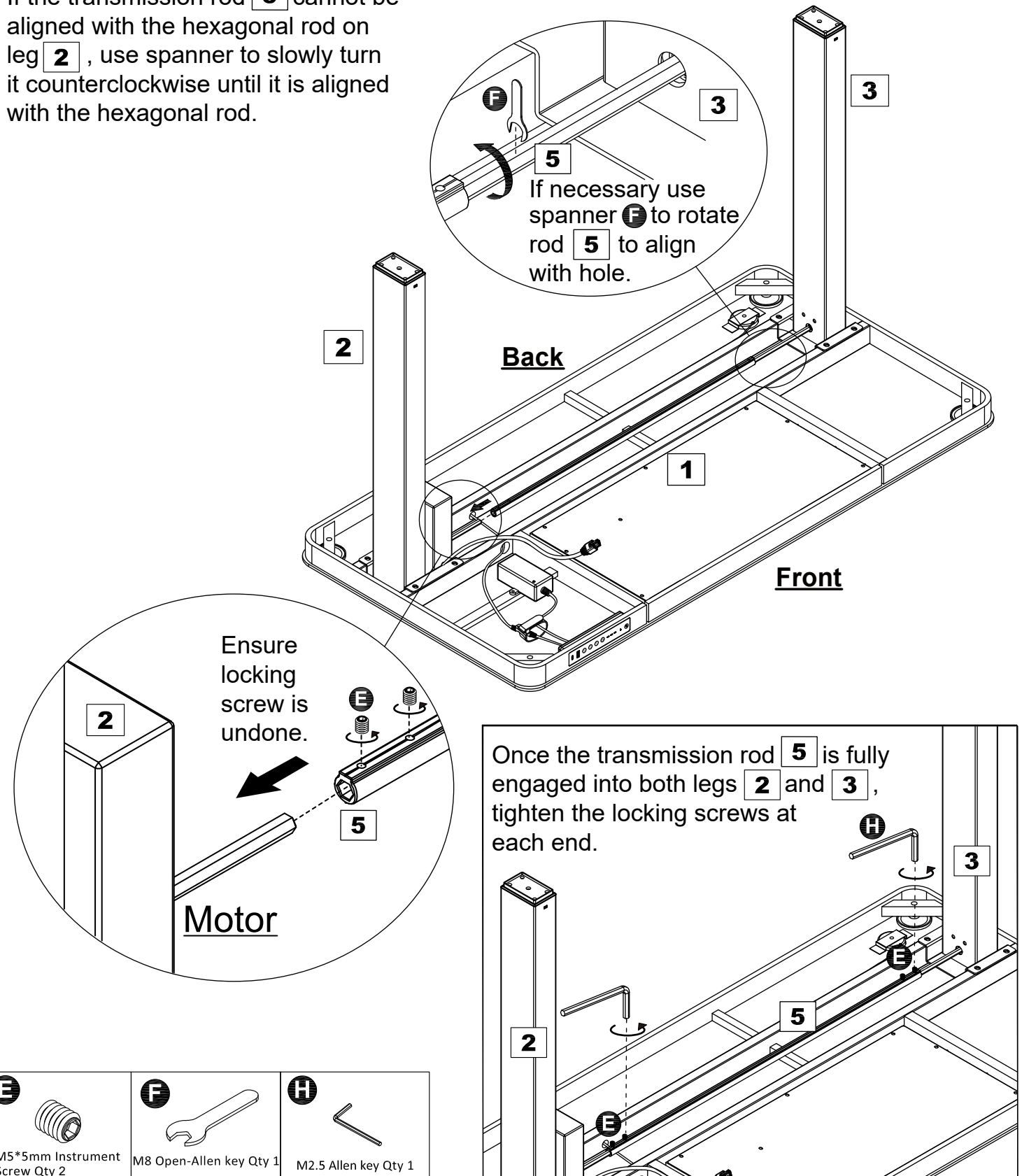
Ensuring the locking screws at the opposite end of transmission rod **5** are undone, carefully extend transmission rod **5** out and slide the open end over the hexagonal rod on the motor on leg **2**.

Note:

Transmission rod **5** is telescopic. Ensure it remains fully inserted into leg **3** and onto the motor hexagonal rod on leg **2**.

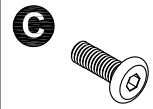
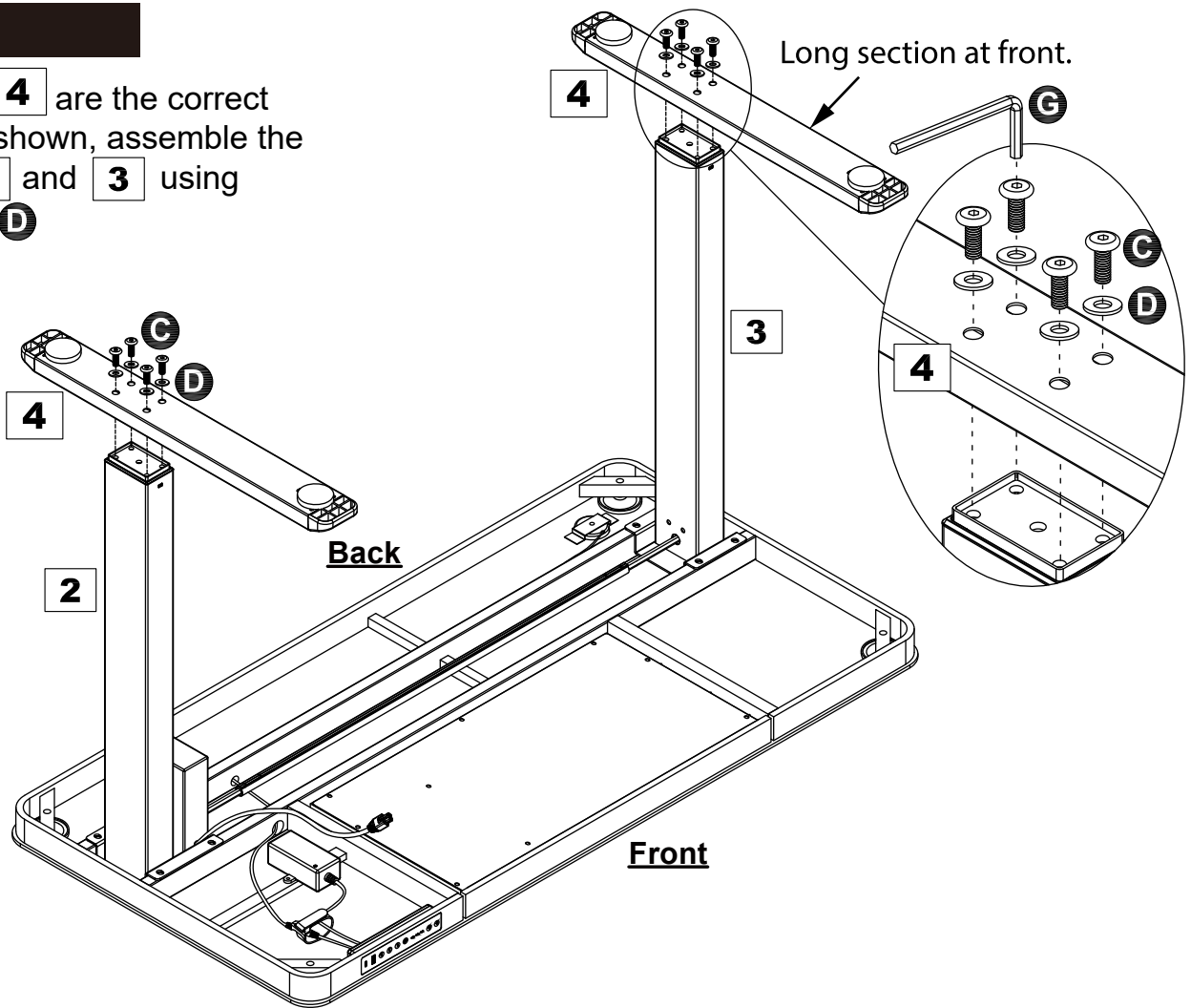
Tip:

If the transmission rod **5** cannot be aligned with the hexagonal rod on leg **2**, use spanner to slowly turn it counterclockwise until it is aligned with the hexagonal rod.

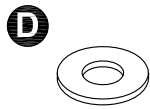


Step 4

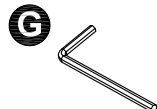
Ensuring feet **4** are the correct way round as shown, assemble the feet to legs **2** and **3** using fixings **C** and **D**



M8*40mm Screw Qty 8



Ø18.5mm Washer Qty 8

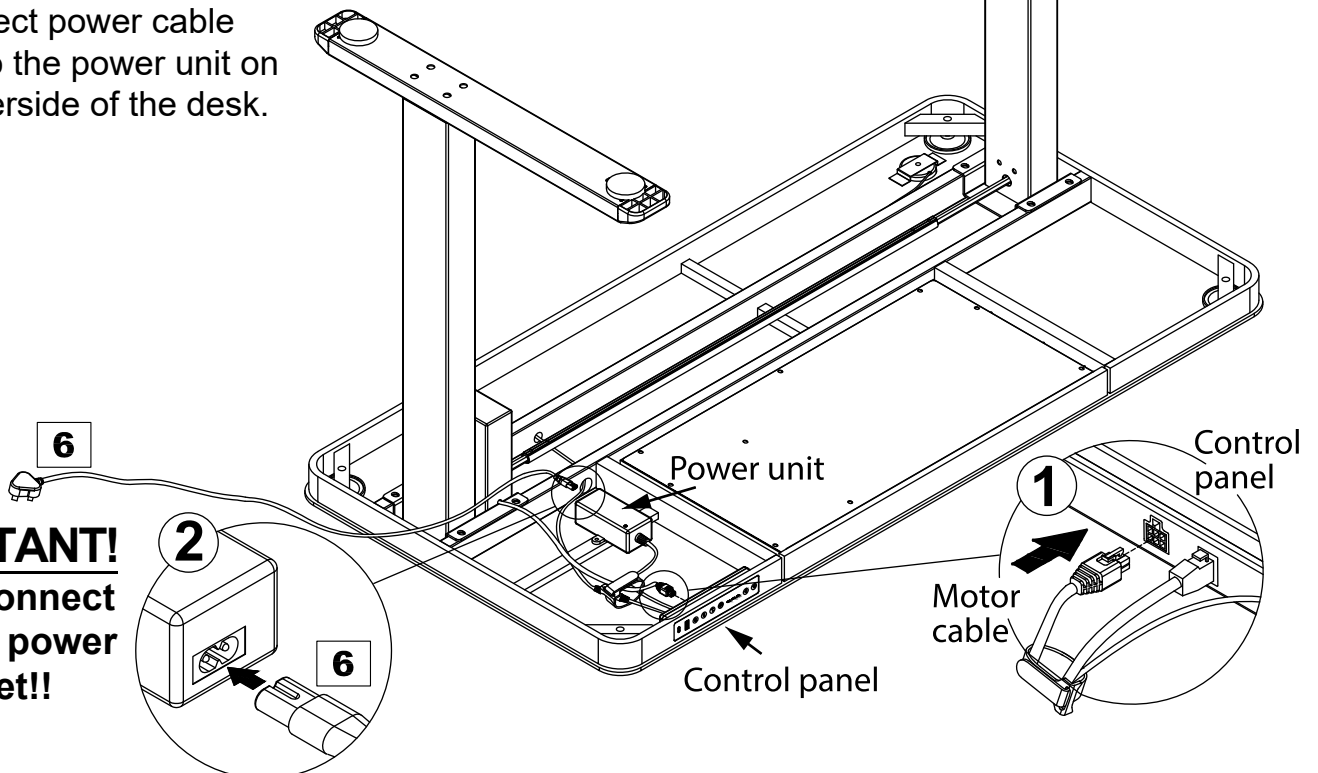


M5 Allen key Qty 1

Step 5

- 1 Connect motor cable into the back of the control panel.
- 2 Connect power cable **6** into the power unit on the underside of the desk.

IMPORTANT!
Do not connect to mains power supply yet!!



Step 6

With help, carefully turn the desk over.

 The desk is heavy. Lift with care.

Connect to the mains power supply and switch power on.

IMPORTANT!

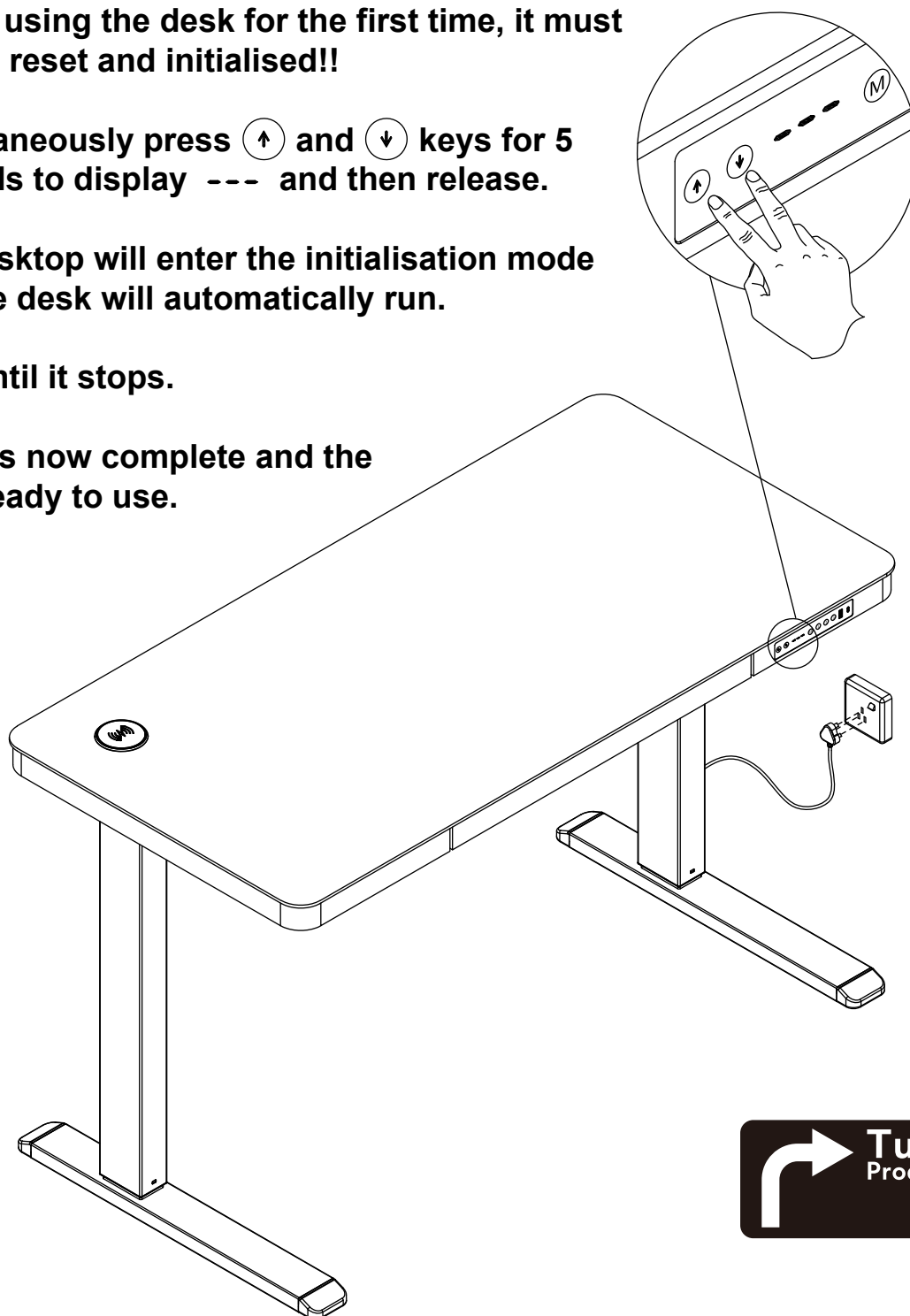
Before using the desk for the first time, it must first be reset and initialised!!

Simultaneously press  and  keys for 5 seconds to display --- and then release.

The desktop will enter the initialisation mode and the desk will automatically run.

Wait until it stops.

Reset is now complete and the desk ready to use.



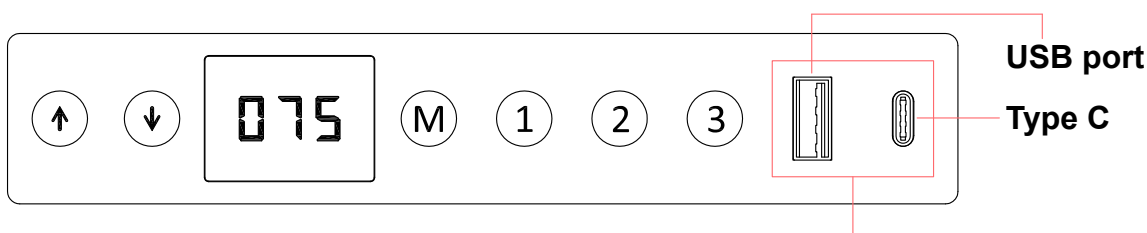
Technical specification

VOLTAGE	AC100V-240V /50-60HZ
RATED INPUT VOLTAGE	100V-240V
FREQUENCY	50-60HZ
RATED CURRENT	1.3A
NOMINAL VOITAGE	29V
OUTPUT CURRENT	2A
MAXIMUM POWER	58W
APPLICABLE AMBIENT TEMPERATURE	-12°C to 45°C
USB & TYPE-C CHARGER	18W for USB charger 20W for TYPE-C charger
WIRELESS CHARGER	15W for wireless charger

Main Features

1. wireless charger (magsafe)
2. height adjustable
3. USB model input

USB charger



- The control panel has two charging ports (Type-C+USB). Both interfaces can charge electronic devices;
 - Type-C Port: support PD super fast charging protocol, the maximum output power is 20W;
 - USB Port: support QC3.0 fast charging protocol, the maximum output power is 18W,
- Notice: When two charging ports are charged at the same time, the charging power will decrease.

Wireless charging function

If you have a wireless charging compatible device, please put the phone on the wireless charging indicator and check if the phone is successfully connected to the charging function. If not, move the mobile phone near the logo until the connection is successful.

Some phone cases may inhibit the wireless charging function or it's efficiency. It may be necessary to remove the phone case if difficulties are experienced.



Wireless charging will only work with wireless charging compatible mobile devices.

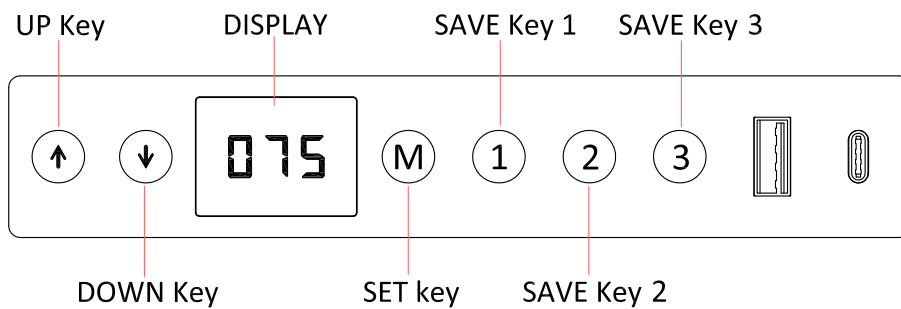
Note: Wireless charging will not function whilst the desk height is being adjusted.

Those mobile phone models suitable for wireless charging are as follows:

 Apple	iPhone 8 Series iPhone X Series iPhone 11 Series iPhone 12 Series iPhone 13 Series	iPhone SE2 iPhone SE3 iPhone 14 Series or later	
 Samsung	Galaxy S6 Series Galaxy S7 Series Galaxy S8 Series Galaxy S9 Series Galaxy S10 Series Galaxy S20 Series	Galaxy S21 Series Galaxy S22 Series Galaxy Note7 Series Galaxy Note8 Series Galaxy Note9 Series Galaxy Note10 Series	Galaxy Note20 Series Galaxy Z Flip Series Galaxy W Flip Series or later
 Huawei	Mate20 Series Mate30 Series Mate40 Series P30 Pro P40 Pro Mate50 Series	or later	
 XiaoMi	Xiaomi 9 Series Xiaomi 10 Series Xiaomi 11 Series Xiaomi 12 Series MIX Series	or later	

Operations

Key introduction



Display Windows

075 = Height

L = Locked

E * * = See Trouble Shooting

Lock and Unlock

- **Lock:** After 15 seconds with no operation, the display screen will automatically lock. (You can also press the (M) key for 3 seconds to manually lock it)
- **Unlock:** long press (M) key for 3 seconds to unlock .

UP and DOWN Function

- When the (↑) key is pressed, the desktop runs UP until it reaches the highest point of the desktop. Height movement will stop once the key is released.
- When the (↓) key is pressed, the desktop runs DOWN until it reaches the lowest point of the desktop. Height movement will stop once the key is released.

Location storage/memory location query/memory location run

Location to store:

- To save a setting at the desired height, short press (M) key. Digital display shows "S- ". While " - " flashing, press (1) (2) or (3) to store this position.

Memory location query:

- Short press (1) (2) or (3). The display flashes the saved memory height for that number.

Memory location operation:

- Double-click or long press any key of (1)/(2)/(3), the desktop will automatically run to the height of the memory location. During running, any key can stop running.

Reset/Initialisation

- At the same time, press (↑) and (↓) keys for 5 seconds to display " - - - " and then release, the desktop will automatically enter the initialization mode, the table will automatically run, wait to stop, it means that the initialization is successful.

Re learn the lowest point of machinery

When the display window is displayed **r5t**, long press the **(↓)** key for 8s, when the display window displayed **---** after released, the desktop will automatically run down to the mechanical lowest point, and then run up for a short distance before stopping, and the initialization is successful。

Stand reminder

The desk can be set to remind you to stand after a chosen period of time.

Turn on the Sitting alert:

Hold down **(M)** + **(2)** button at the same time for 3 seconds and the screen blinks to display the time. Click **(M)** to switch the duration (optional : 30 minutes / 45 minutes / 60 minutes). Switch to the desired time to start the timer.

End of time:

After the time of sitting reminder, the display will blink and display **[hr]** for 1 minute. If there is no other operation, it will blink again 5 minutes later. If there is no other operation after repeating 3 times, it will automatically exit the sitting reminder program. If you press **(M)** button during the blinking period, the display will display **OFF**, indicating that the sedentary reminding program is closed; if other keys are clicked, the display time indicates that the timing program is restarted.

Manually turn off stand reminders:

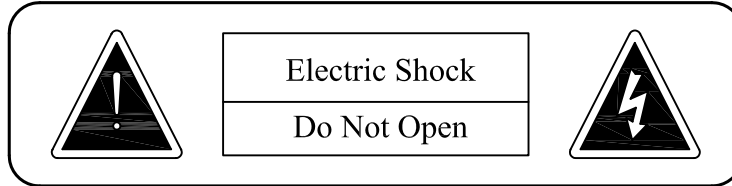
Hold down the **(M)** + **(2)** button at the same time ,for 3 seconds, and the display screen will display the time. At this time, press the **(M)** button and the display will be **OFF**, indicating that the sedentary reminder program is closed.

Error code table

Display status	Explain	Process mode
E01	Motor not connected	Press the up button or down button again. It still exists. Please check the motor connect line
E03	Motor overcurrent	Press the up button or down button again. It still exists. Please replace the motor or reduce the load
E05	Hall failure of motor	Press the up button or down button again, it still exists. Please check the connection or replace motor
E07	Abnormal main power supply	Unable to eliminate after power, replace the power supply
E08	Motor current is abnormal	Unable to eliminate after power loss need to return to the factory
E12	Abnormal learning position	Relearn position
E13	Overtemperature protection	Wait for the temperature to drop
E14	Motor is stuck	Press the up key or down key again, it still exists, please replace motor or reduce the load
E17	key data loss	Press any key to recover
r5t	Illegal power failure	Relearn mechanical zero or initial reset

Electrical system

WARNINGS!! Please read carefully



This symbol is intended to alert the user to the presence of un-insulated “dangerous voltage” within the product's enclosure that may be of sufficient magnitude to cause an electric shock.



This symbol is intended to alert the user to the presence of important operating and maintenance Instructions in this user manual.

- a. In order to avoid accidents, do not open any electrical covers. Refer to a professional if the circuit is faulty.
- b. Do not expose the unit to damp or moisture.
- c. Keep the unit away from containers holding liquid. If any liquid enters into the unit, it may be damaged.
- d. Do not expose the unit to dust or smoke.
- e. If the unit will not be used for a long time, please unplug the power.
- f. When using the unit, if smoke appears, or if there is a peculiar smell, please turn off the power, pull out the socket and seek professional help.
- g. Pull out the plug before cleaning the surface of the machine. It can be cleaned with a damp cloth and soap.

Trouble shooting

When a failure occurs, please refer to the following solutions, find out the presumable causes and solve the problem, if these are of no help, please refer to a professional.

PROBLEM	PROBLEM CAUSE	REMEDY
No power display	Power plug not inserted properly. There is no power in the socket. The power is not switched on.	The jack must be electrical. Press the plug. Turn on the power.
No wireless charging	Power not connected. Mobile device does not have wireless charging function.	Check power is connected and on. Check your mobile device has wireless charging capability. Remove case from device.

Important Safety Instructions

When using an electrical furnishing, basic precautions should always be followed, including the following:
Read all instructions before using (this furnishing).

DANGER – To reduce the risk of electric shock:

1. Unplug the power plug before cleaning, wipe the dust on surface with damp cloth when cleaning. Be careful not to let water drops into the internal parts, or loose the connector.
2. Check carefully to ensure correct and complete assembly before using.
3. Be familiar with all functions and program settings of the product before first use.
4. Don't allow children to play near the desk as their behavior is unpredictable. The manufacturer is not responsible for loss, injury, or damage due to those improper action.
5. The slight noise caused by the internal mechanism or brake system of the structure, will not have any effect on the use of the equipment.
6. Do not use corrosive or abrasive materials are near the equipment. Please ensure that the cleaner used will not pollute the environment.
7. This appliance can be used by children aged from 8 years and above and persons with reduced physical, sensory or mental capabilities or lack of experience and knowledge, only after they have been given supervision or instruction concerning use of the appliance in a safe way and understand the hazards involved. Children should not play with the appliance.
8. Cleaning and user maintenance should not be attempted by children without supervision.
9. If the supply cord is damaged, it must be replaced by the manufacturer, its service agent or a similarly qualified person in order to avoid a hazard.
10. Please make sure there is no hazard sources in your operating environment. e.g., do not litter the tools around. Always be careful to treat the packaging materials in order to avoid any possible danger, e.g. plastic bag may lead to choking hazard to children.
11. We recommend you keep the original package of the equipment if necessary in case of the future use in transportation.

12. Do not use outdoors.

13. Unplug from outlet before putting on or taking off parts.

14. Use this furnishing only for its intended use as described in these instructions. Do not use attachments not recommended by the manufacturer.

15. Never operate this furnishing if it has a damaged cord or plug, if it is not working properly, if it has been dropped or damaged, or dropped into water. Return the furnishing to a service center for examination and repair.

16. Keep the cord away from heated surfaces.

17. To disconnect, turn all controls to the off position, then remove plug from outlet.

18. For grounded products the following statement:

"WARNING: Risk of Electric Shock – Connect this furnishing to a properly grounded outlet only. See Grounding Instructions."

19. For loading always put heavier items at the bottom and not near the top in order to help prevent the possibility of the furnishing tipping over.

SAVE THESE INSTRUCTIONS

For Household use only

SERVICING OF DOUBLE-INSULATED PRODUCTS

In a double-insulated product, two systems of insulation are provided instead of grounding. No grounding means is provided on a double-insulated product, nor is a means for grounding to be added to the product. Servicing a double-insulated product requires extreme care and knowledge of the system, and is to be done only by qualified service personnel. Replacement parts for a double-insulated product must be identical to the parts they replace. A double-insulated product is marked with the words "DOUBLE INSULATION" or "DOUBLE INSULATED." The symbol (square within a square) is also able to be marked on the product.

Disposal



■ If disposal of this product becomes necessary, please do this in an environmentally responsible way. Contact your local government office or authority for suitable disposal or recycling options in your local area. Do not dispose of this product, or its components, with your general domestic waste.

After Sales Support / Product Returns

Purchased from koble designs.com

In the unlikely event that you need to return the unit because it is faulty, please follow the replacements or faulty items instructions at www.koble designs.com website.

Should you need to request replacement parts, please contact our after sales support team at:-

Email - CS@koble designs.com

Tel: + 44 (0)1799 513 466

Address: Koble Designs, 6 The Shires, Shirehill industrial Estate, Saffron Walden, Essex, CB11 3AP

Purchased from other retailer

If you purchased your product from one of our retail partners, please refer back to the retailer directly, for any customer services related issues, refunds or returns requests.

Koble designs may still be able to offer support with technical related queries.