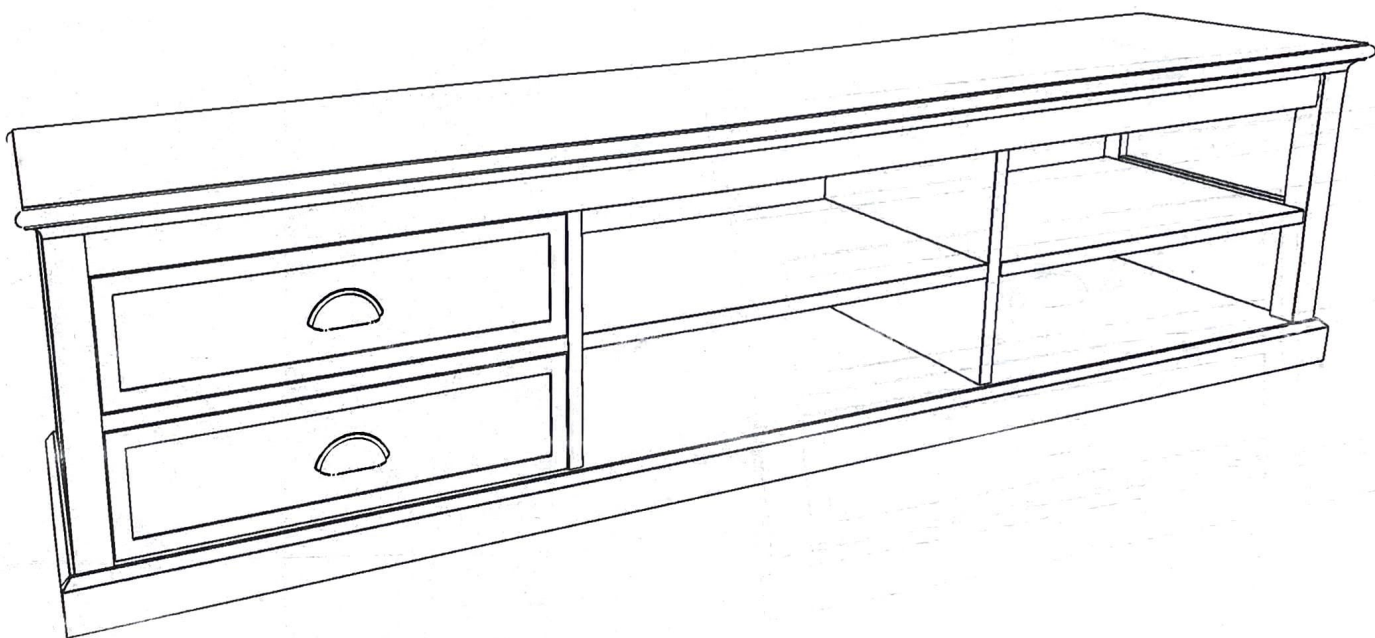


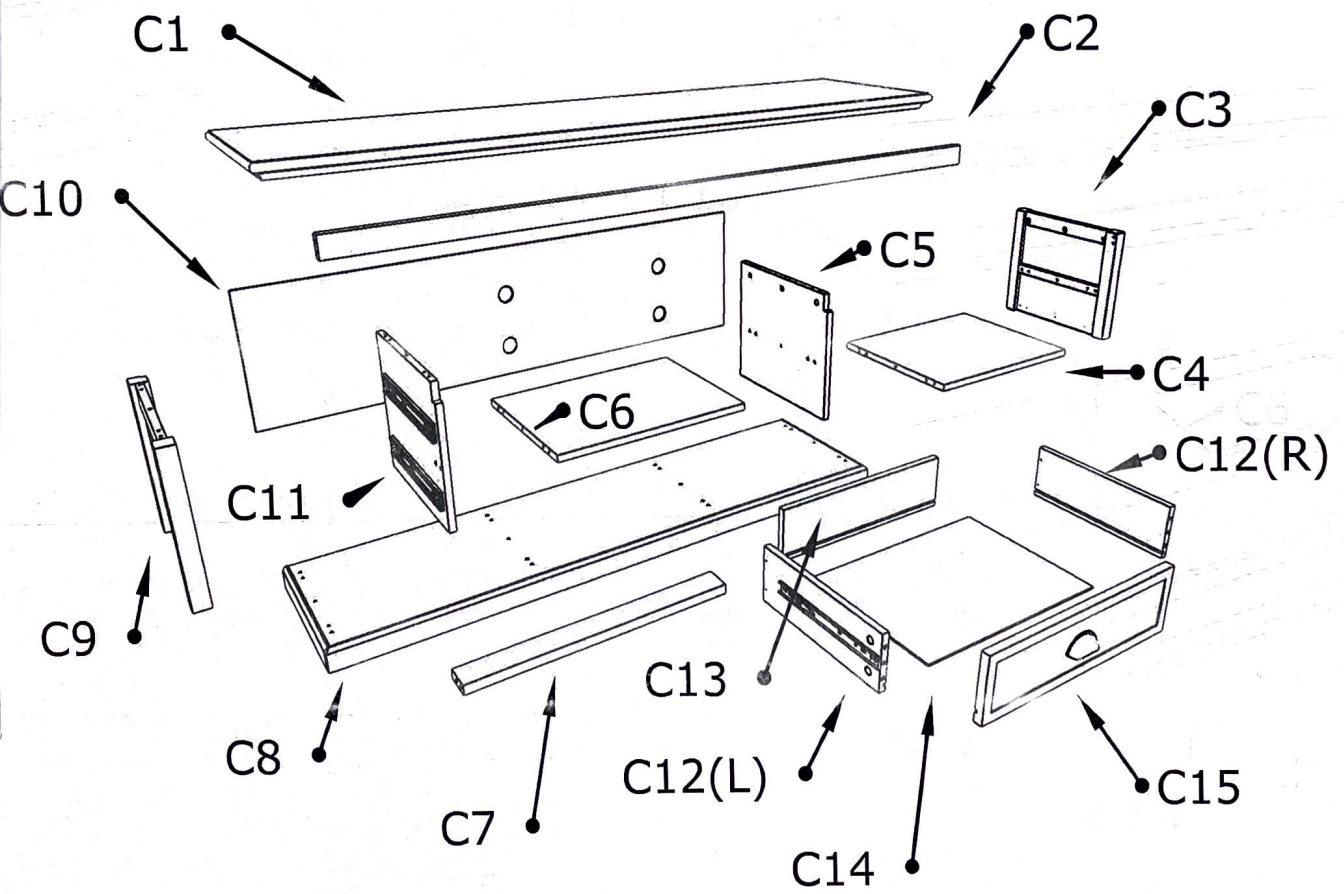
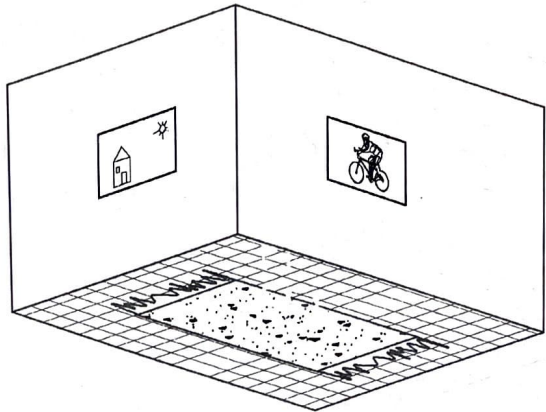
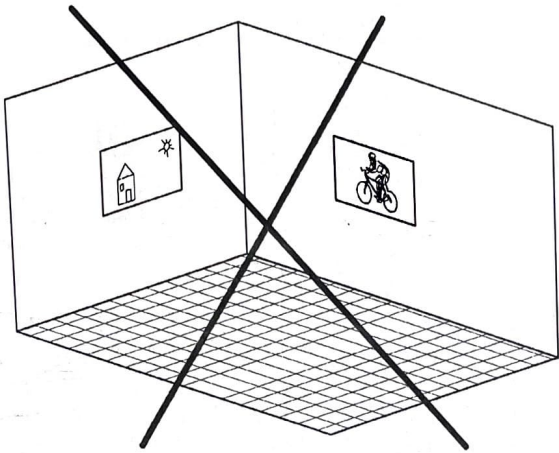
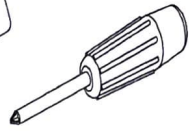
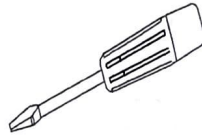
TV stand 2 drawers 1800x450x450



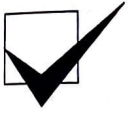
V stand 2 drawers 1800x450x450







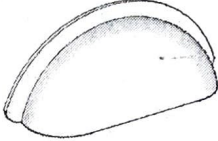
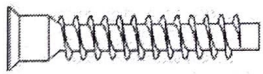



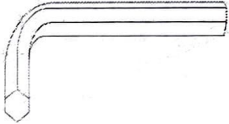
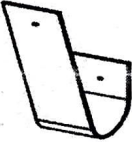
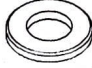


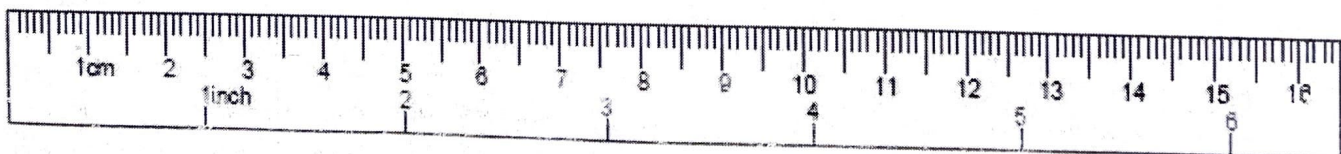
120 min



TV stand 2 drawers 1800x450x450



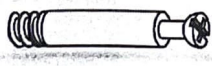
 A x 36 8 x 30mm	 B x 36 7 x 45mm	 C x 36 15 x 12mm	 P x 80 2 x 15mm
 K x 17 4 x 16mm	 L x 8 4 x 35mm	 Y x 2 40 x 80mm	 D x 12 5 x 50mm
 J x 4 4 x 16mm	 M1 x 4 330mm	 M2 x 4 330mm	 T2 x 1 4 x 50mm
 O x 1 20 x 120mm	 Q x 1 2 x 12mm		



1



Ax4



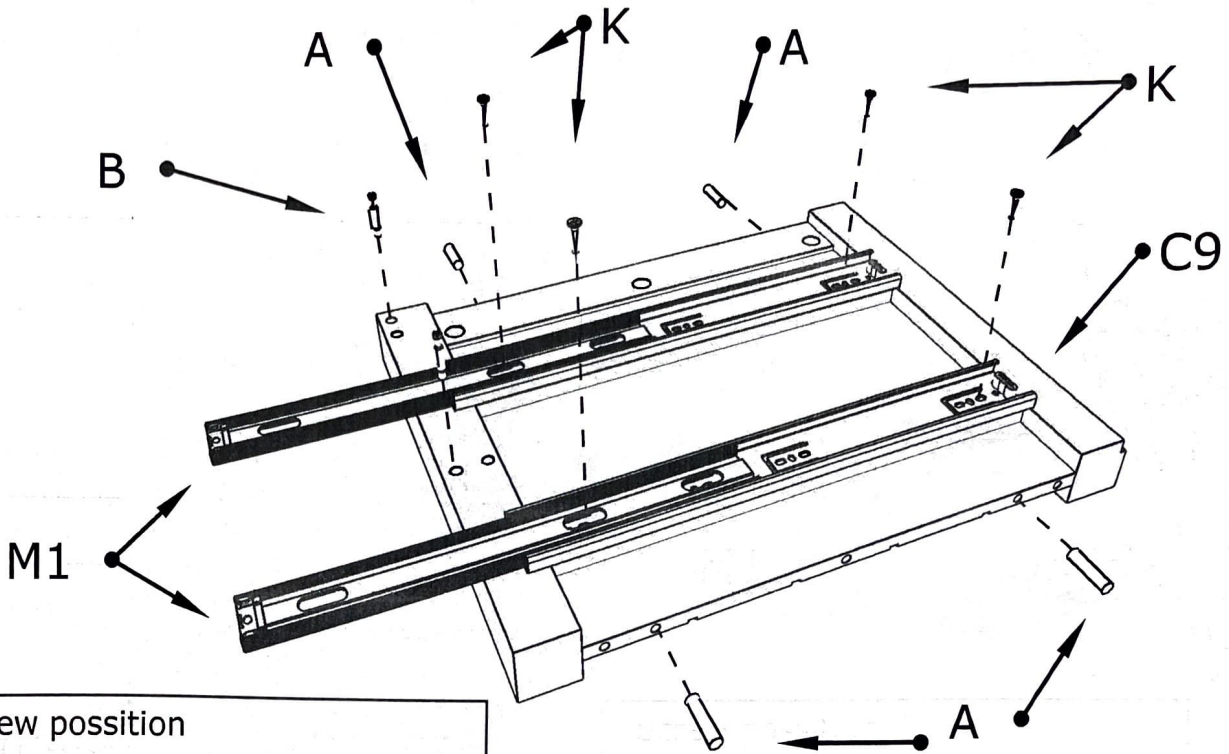
Bx2



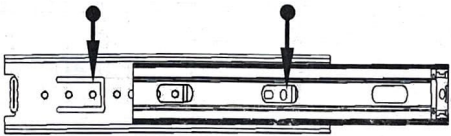
K x 4



M1 x 2



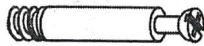
Screw position



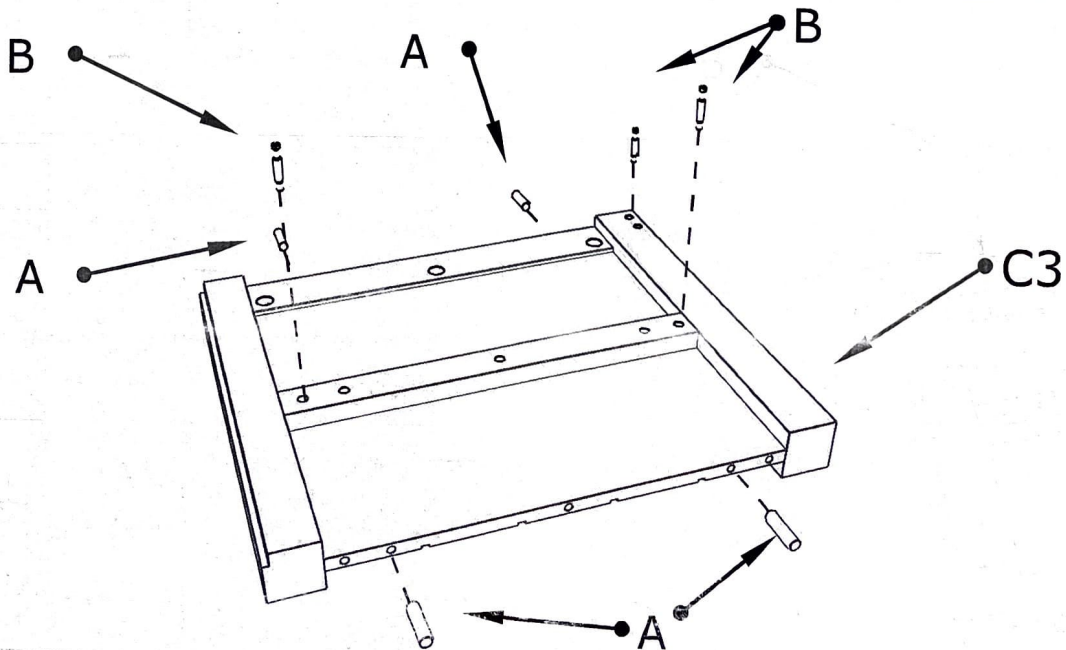
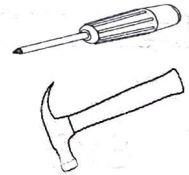
2



Ax4



Bx3



3



Ax8



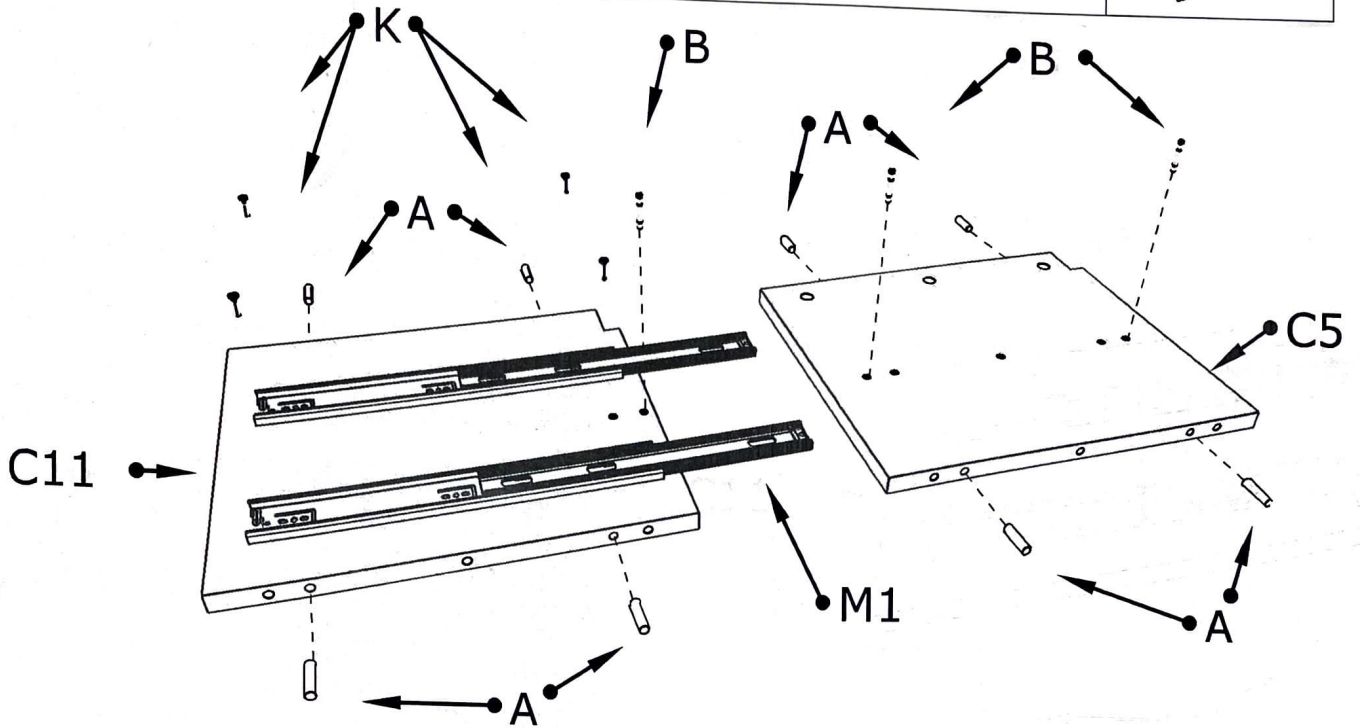
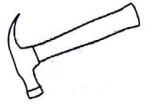
Bx7



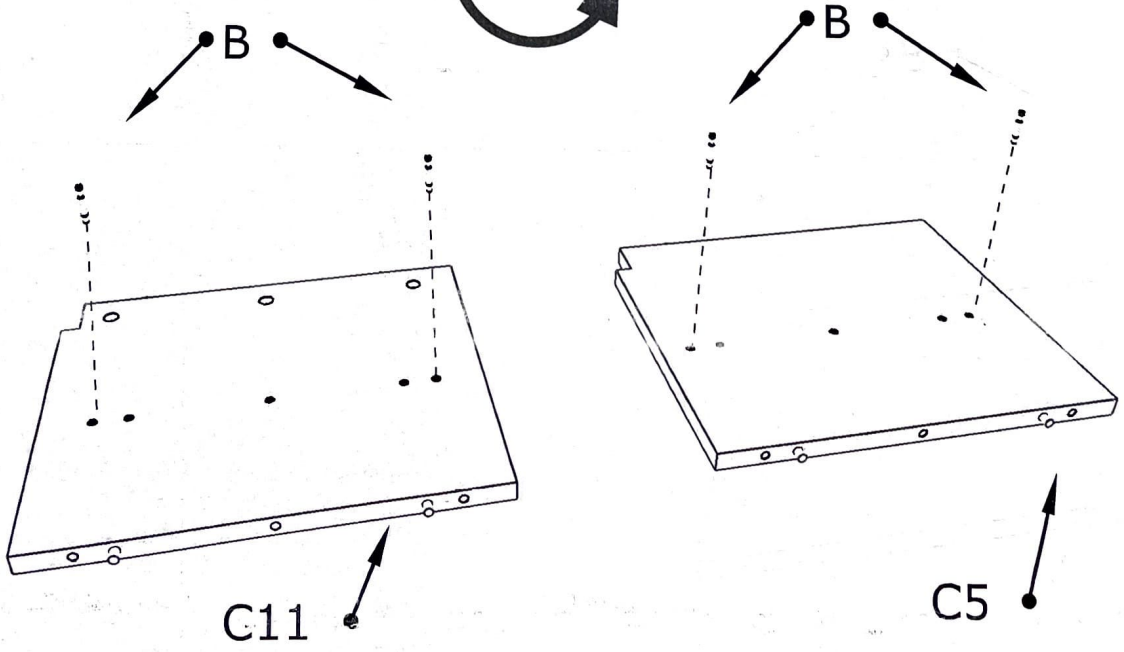
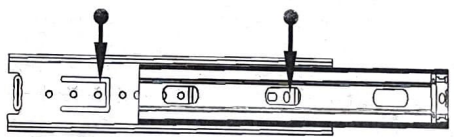
K x 4



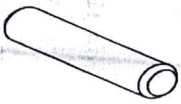
M1 x 4



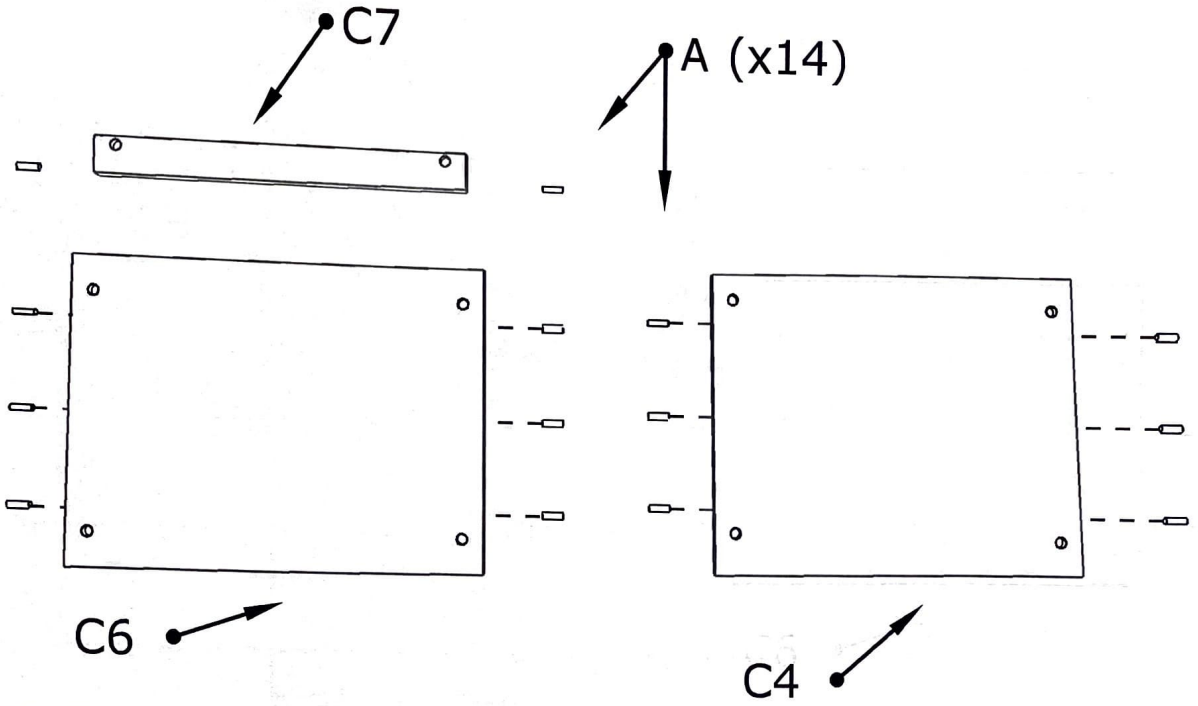
Screw position



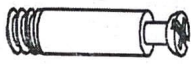
4



Ax14



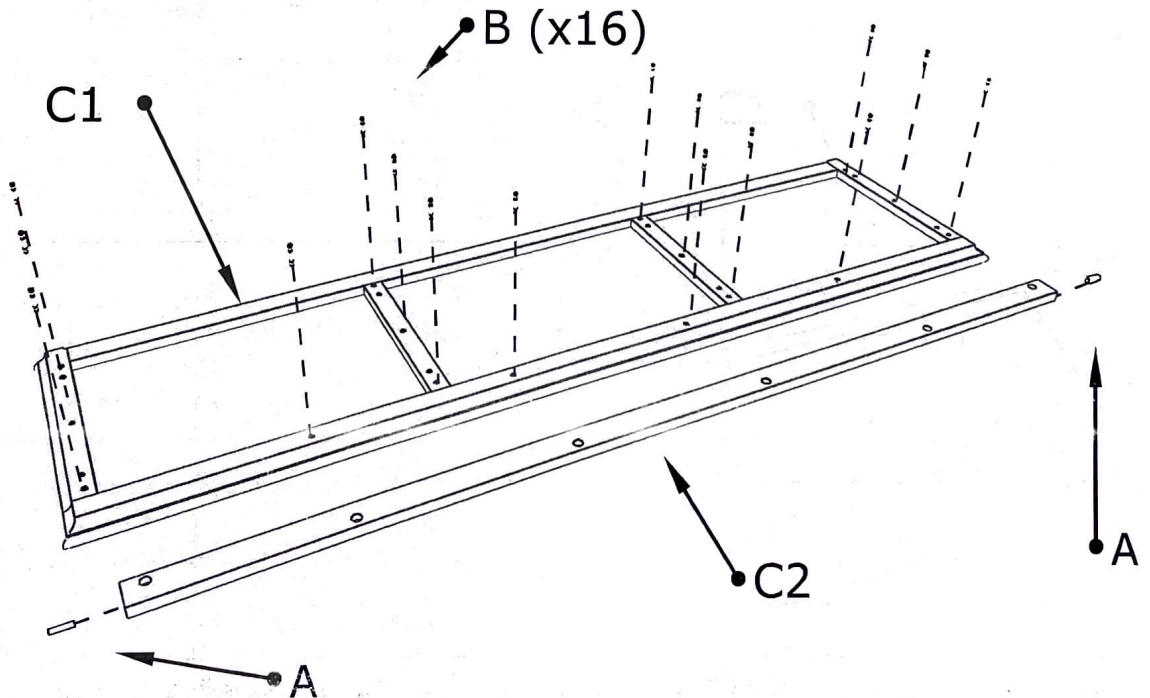
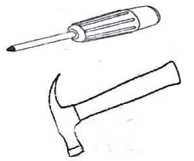
5



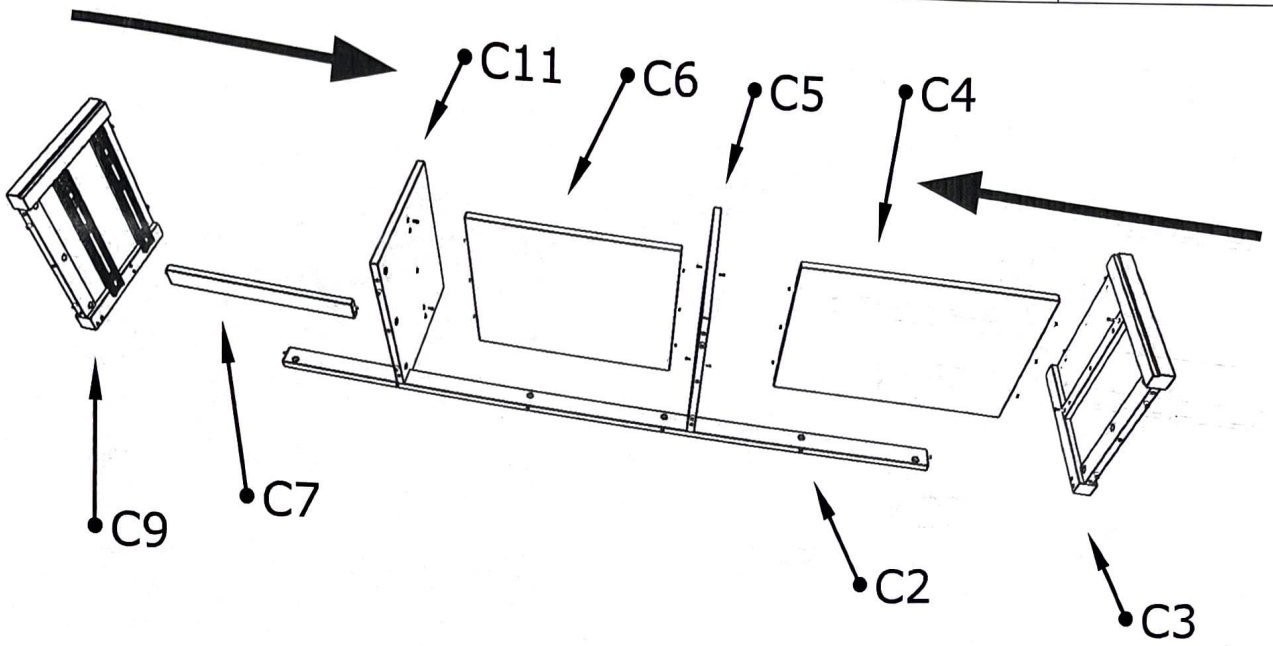
Bx16



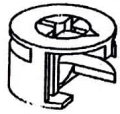
Ax2



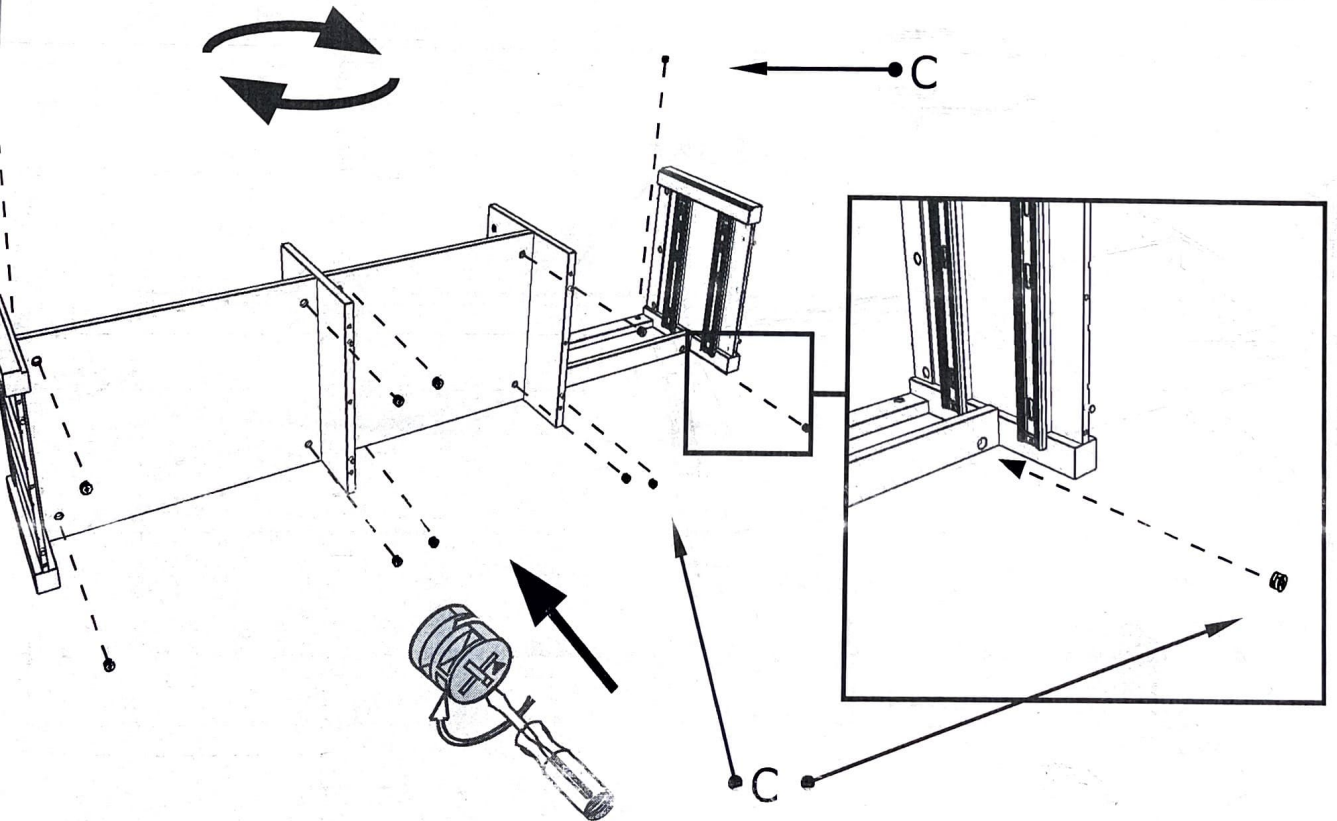
6



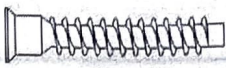
7



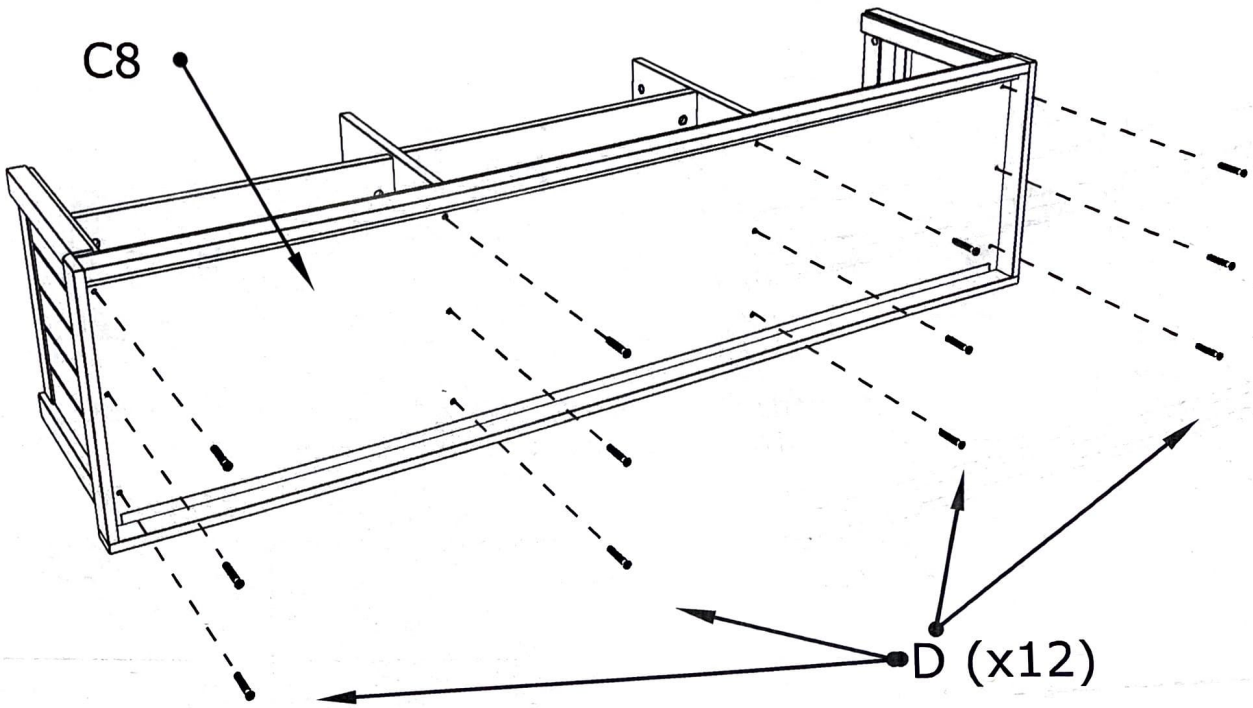
C x 12



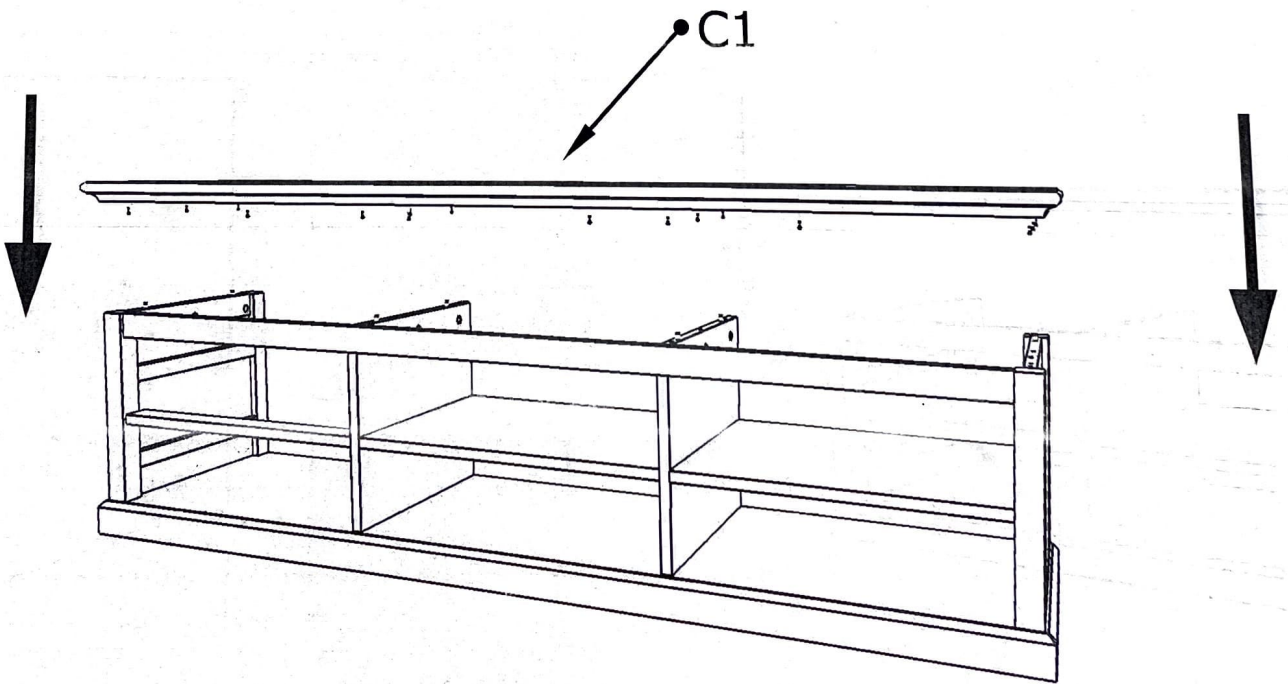
8



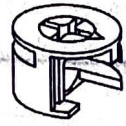
D x 12



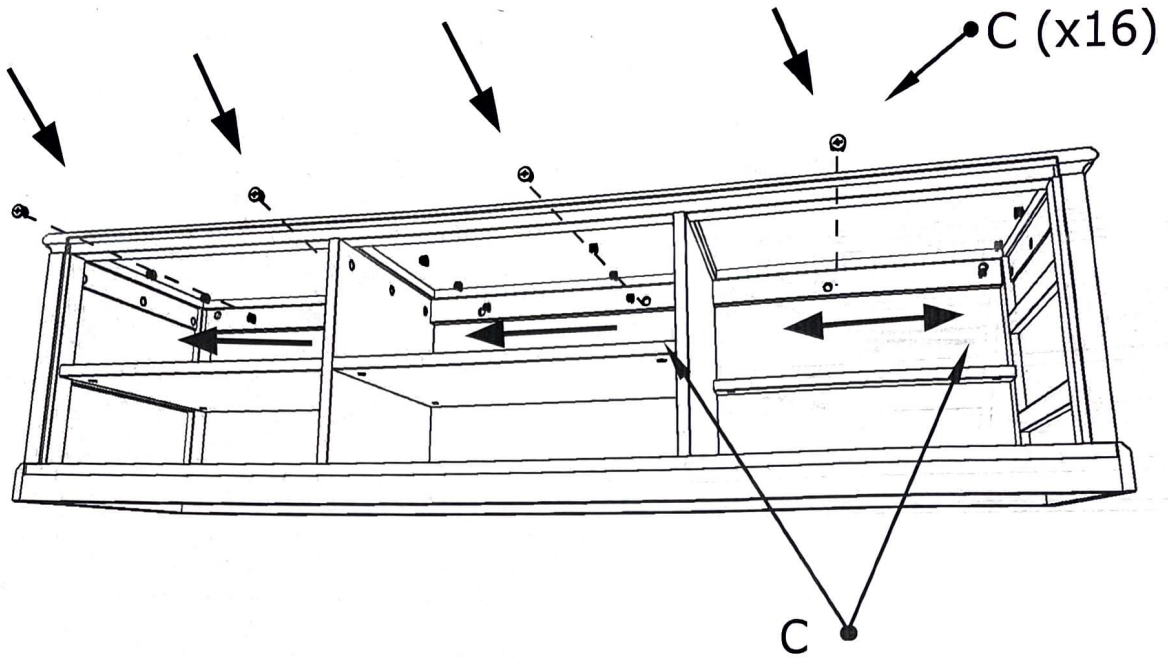
9



10



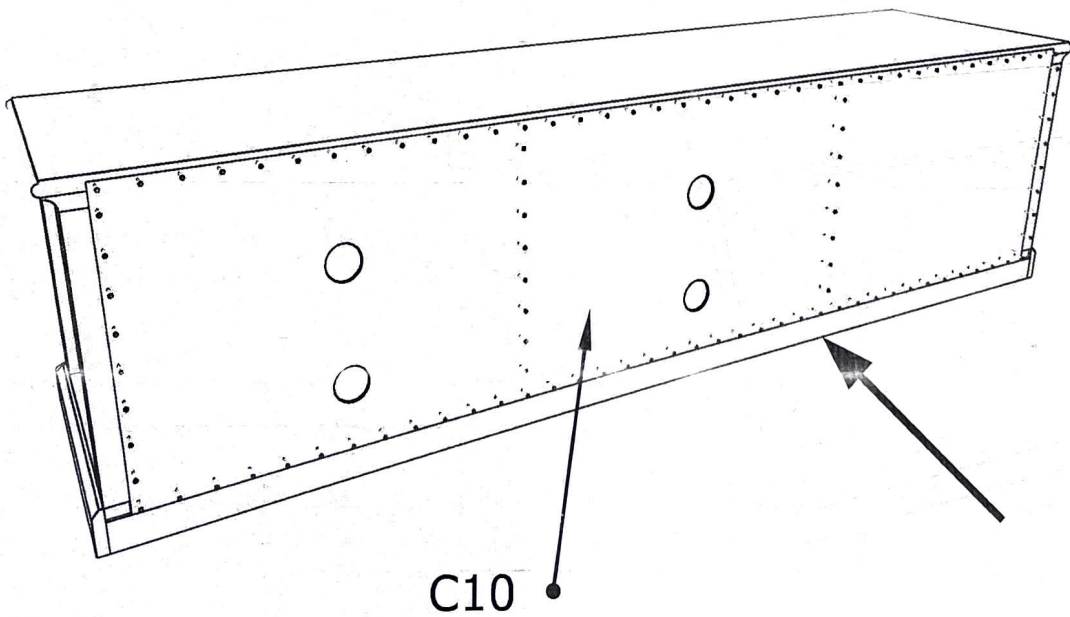
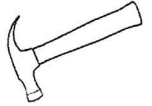
C x 16



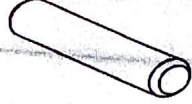
11



Px80



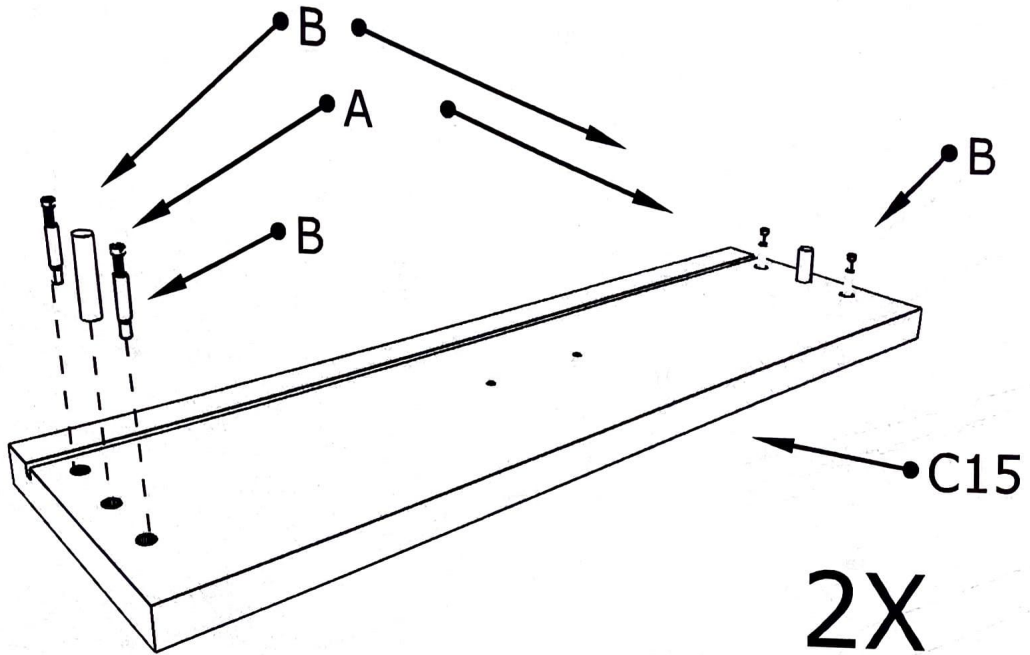
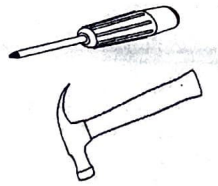
12



A x 4



B x 8



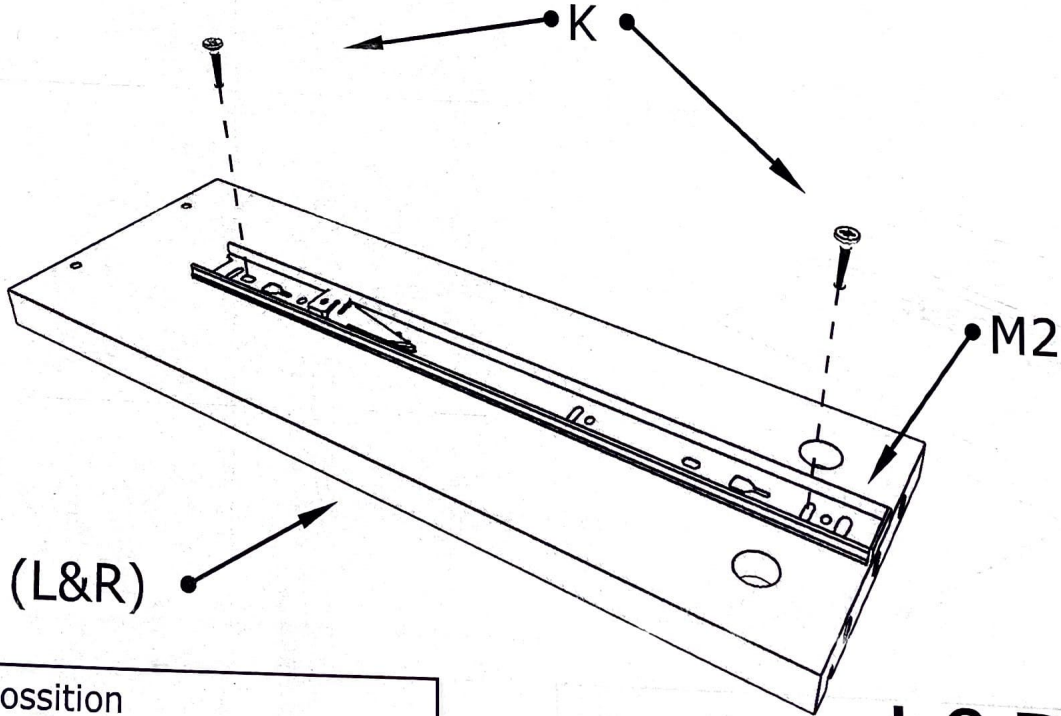
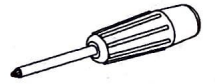
13



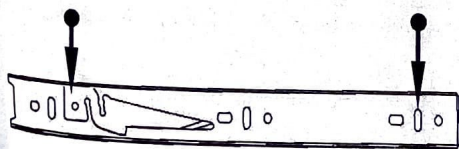
K x 8



M2 x 4



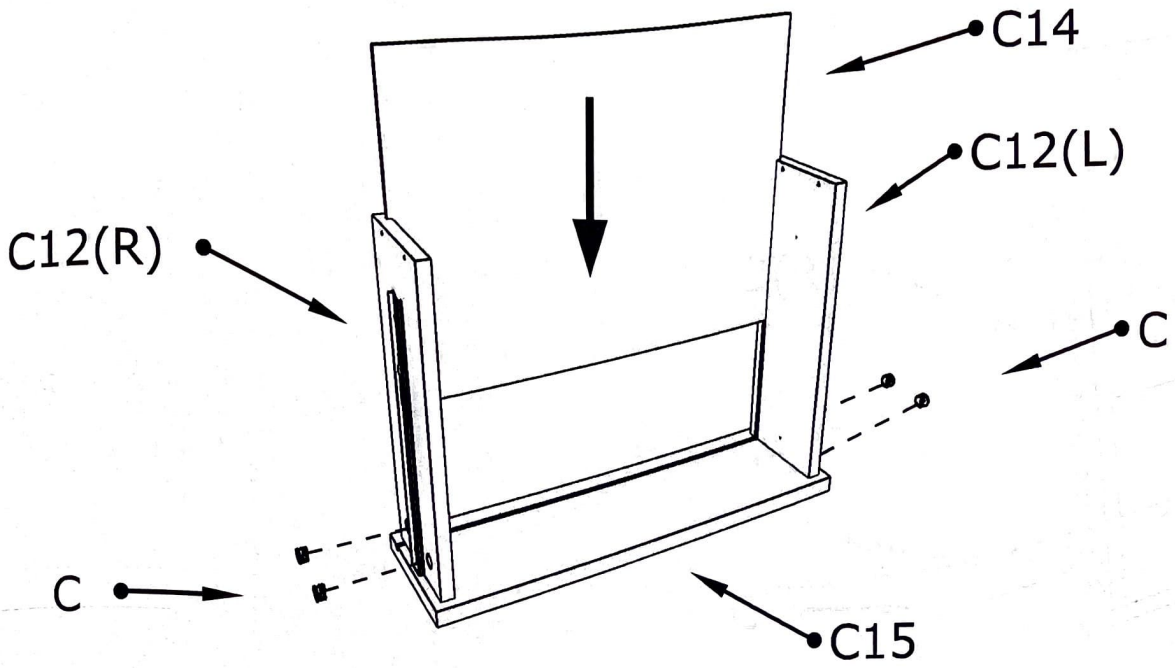
Screw position



14



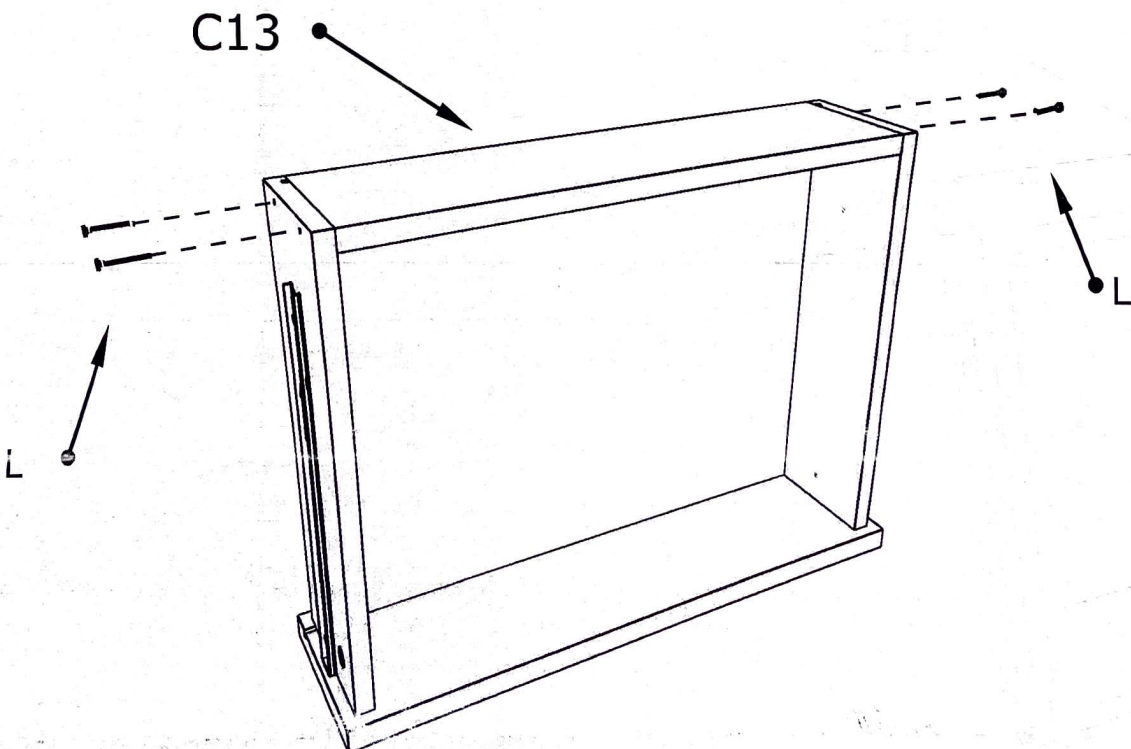
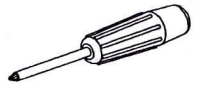
C x 8



15



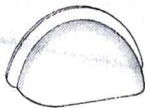
L x 8



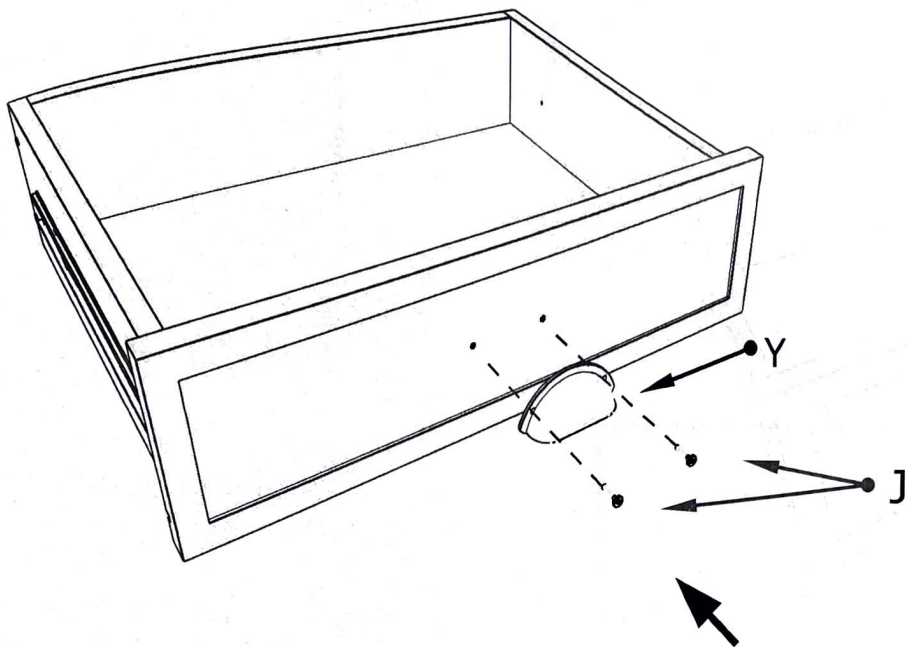
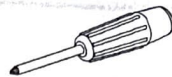
16



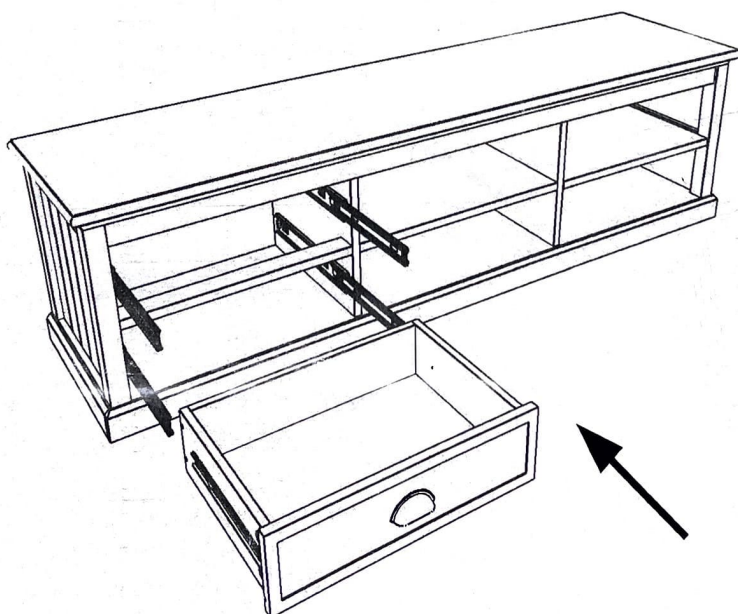
J x 4



Y x 2



17



18



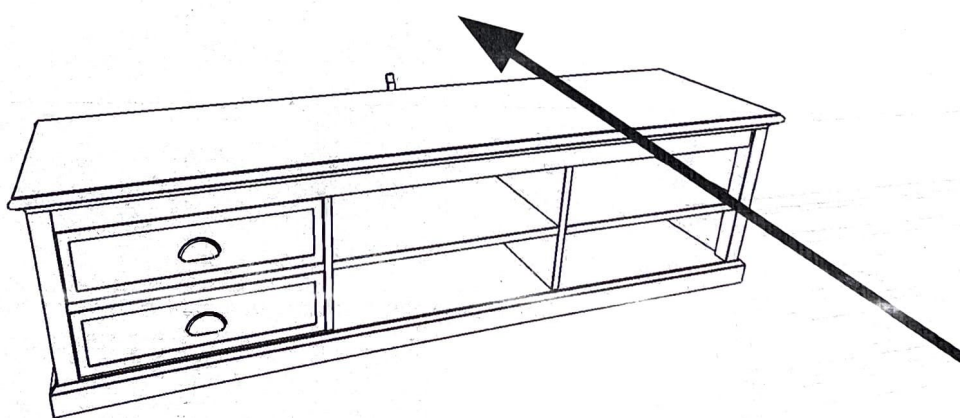
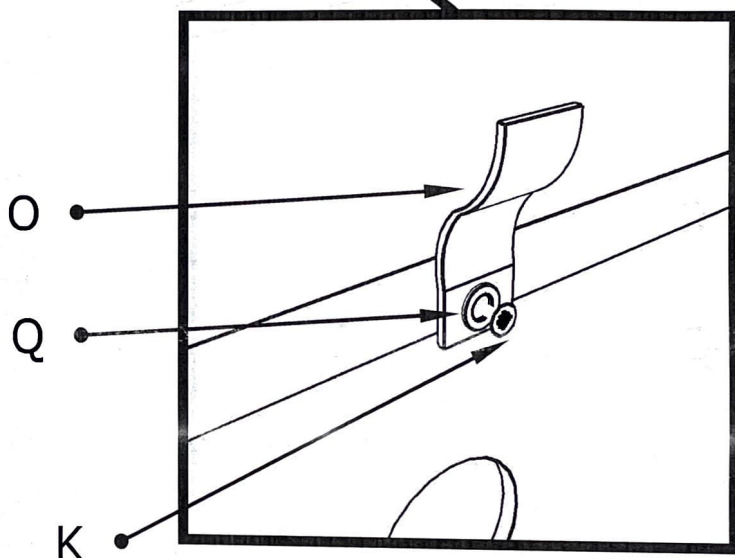
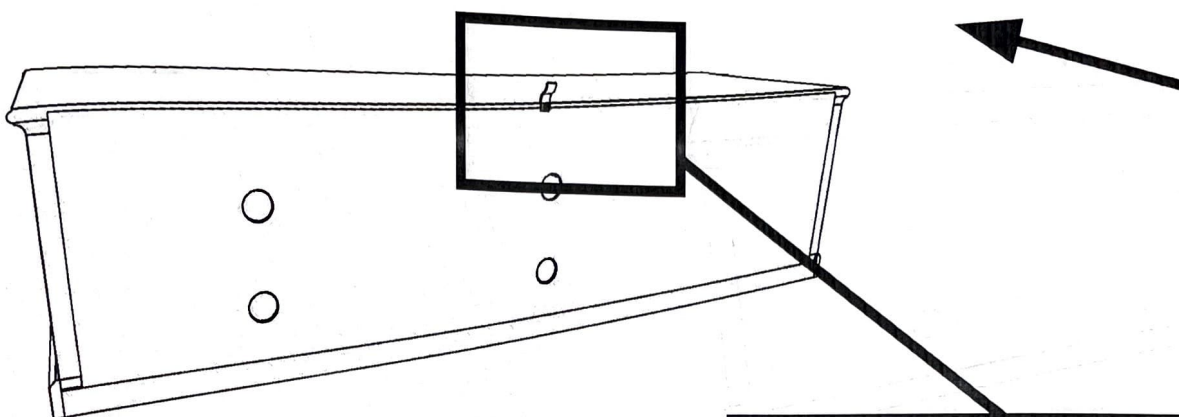
O x 1



Q x 1



K x 1



Mount to wall to hinder the product from toppling
(please make sure to use fastener suited to your wall material)