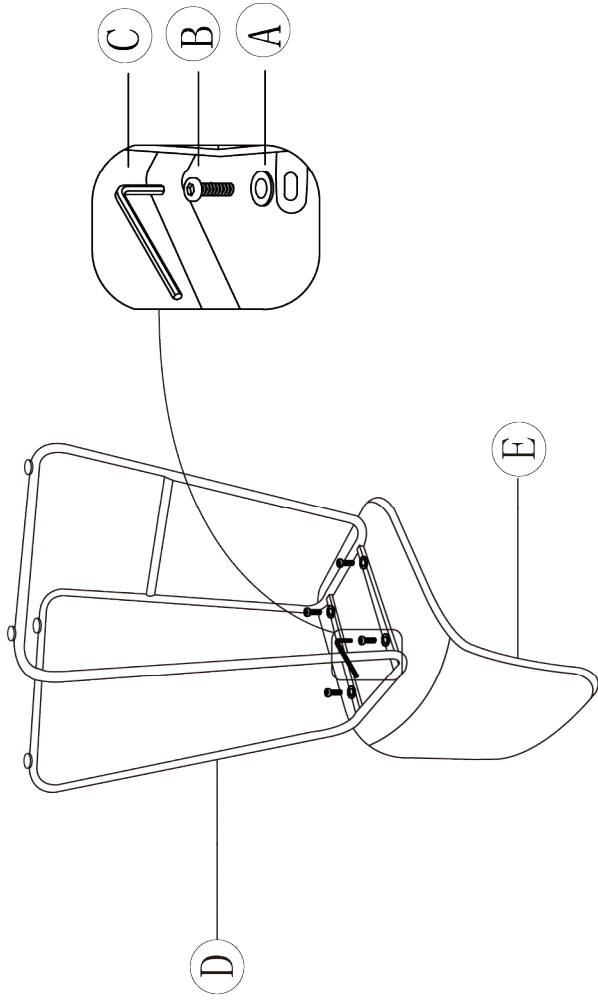
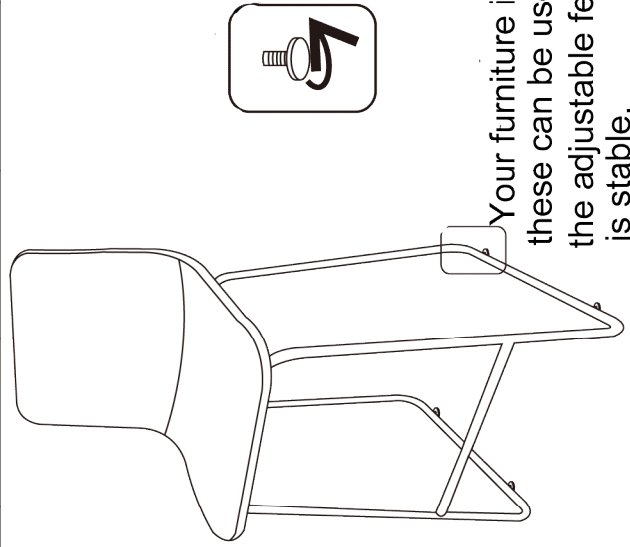


# Assembly Instruction – Bar Stool

1




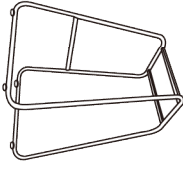
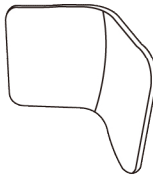


2



Your furniture is fitted with adjustable feet, if required these can be used to correct any wobbling. Simply rotate the adjustable feet as required to ensure the furniture is stable.

## Part List

<b>A</b>		Washer	4PCS
<b>B</b>		Allen Bolt M6 X25mm	4PCS
<b>C</b>		Allen Key	1PC
<b>D</b>		Metal Base	1PC
<b>E</b>		Chair Seat	1PC