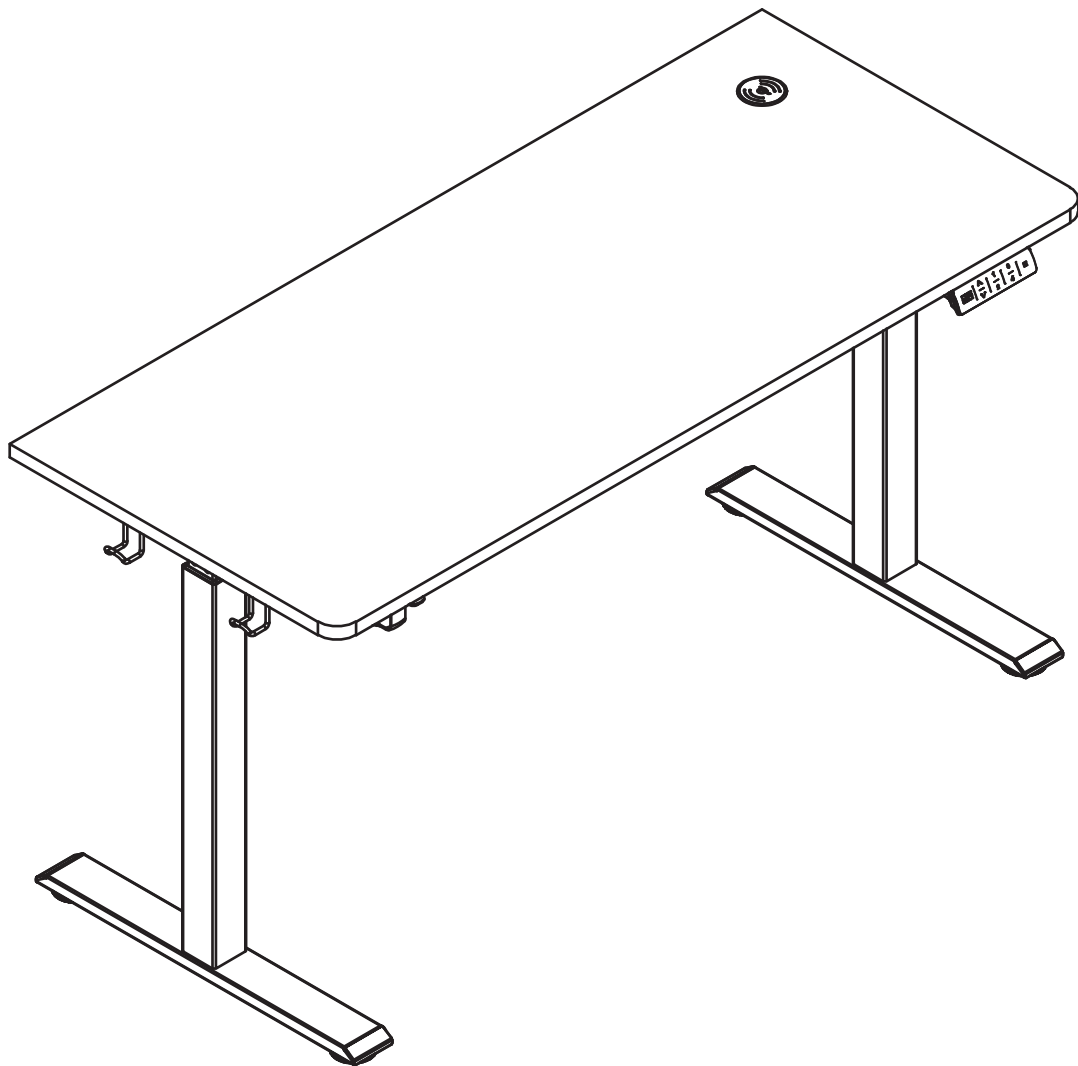


KOBLE

www.koblesigns.com

Gino Height Adjustable Desk



Thank you for purchasing the Gino Height Adjustable Desk. In order to make the best use of this product and to use it safely, please read the manual carefully before use and keep it for future reference.

STOCK Ref.: White - DOGINOW

Black - DOGINOB

Ash - DOGINOA

Imported By: Koble Designs (Justwise Group Ltd). CB11 3AP.

Important Safety Instructions

When using an electrical furnishing, basic precautions should always be followed, including the following:

Read all instructions before using (this furnishing).

DANGER – To reduce the risk of electric shock:

1. Unplug the power plug before cleaning, wipe the dust on surface with damp cloth when cleaning. Be careful not to let water drops into the internal parts, or loose the connector.
2. Check carefully to ensure correct and complete assembly before using.
3. Be familiar with all functions and program settings of the product before first use.
4. Don't allow children to play near the desk as their behavior is unpredictable. The manufacturer is not responsible for loss, injury, or damage due to those improper action.
5. The slight noise caused by the internal mechanism or brake system of the structure, will not have any effect on the use of the equipment.
6. Do not use corrosive or abrasive materials are near the equipment. Please ensure that the cleaner used will not pollute the environment.
7. This appliance can be used by children aged from 8 years and above and persons with reduced physical, sensory or mental capabilities or lack of experience and knowledge, only after they have been given supervision or instruction concerning use of the appliance in a safe way and understand the hazards involved. Children should not play with the appliance.
8. Cleaning and user maintenance should not be attempted by children without supervision.
9. If the supply cord is damaged, it must be replaced by the manufacturer, its service agent or a similarly qualified person in order to avoid a hazard.
10. Please make sure there is no hazard sources in your operating environment. e.g., do not litter the tools around. Always be careful to treat the packaging materials in order to avoid any possible danger, e.g. plastic bag may lead to choking hazard to children.
11. We recommend you keep the original package of the equipment if necessary in case of the future use in transportation.
12. Do not use outdoors.
13. Unplug from outlet before putting on or taking off parts.
14. Use this furnishing only for its intended use as described in these instructions. Do not use attachments not recommended by the manufacturer.
15. Never operate this furnishing if it has a damaged cord or plug, if it is not working properly, if it has been dropped or damaged, or dropped into water. Return the furnishing to a service center for examination and repair.
16. Keep the cord away from heated surfaces.
17. To disconnect, turn all controls to the off position, then remove plug from outlet.
18. For grounded products the following statement:
"WARNING: Risk of Electric Shock – Connect this furnishing to a properly grounded outlet only. See Grounding Instructions."

19. For loading always put heavier items at the bottom and not near the top in order to help prevent the possibility of the furnishing tipping over.

SAVE THESE INSTRUCTIONS

For Household use only

SERVICING OF DOUBLE-INSULATED PRODUCTS

In a double-insulated product, two systems of insulation are provided instead of grounding. No grounding means is provided on a double-insulated product, nor is a means for grounding to be added to the product. Servicing a double-insulated product requires extreme care and knowledge of the system, and is to be done only by qualified service personnel. Replacement parts for a double-insulated product must be identical to the parts they replace. A double-insulated product is marked with the words "DOUBLE INSULATION" or "DOUBLE INSULATED." The symbol (square within a square) is also able to be marked on the product.

Technical specification

VOLTAGE	AC100V-240V /50-60HZ
RATED INPUT VOLTAGE	100V-240V
FREQUENCY	50-60HZ
RATED CURRENT	1.5A Max.
NOMINAL VOITAGE	24V DC
OUTPUT CURRENT	2.1A
MAXIMUM POWER	50.4W
APPLICABLE AMBIENT TEMPERATURE	-12°C to 45°C
USB & TYPE-C CHARGER	18W for USB charger 20W for TYPE-C charger
WIRELESS CHARGER	10W for wireless charger

Save These Instructions

For Household use only

Servicing of Double-Insulated Products

In a double-insulated product, two systems of insulation are provided instead of grounding. No grounding means is provided on a double-insulated product, nor is a means for grounding to be added to the product. Servicing a double-insulated product requires extreme care and knowledge of the system, and is to be done only by qualified service personnel. Replacement parts for a double-insulated product must be identical to the parts they replace. A double-insulated product is marked with the words "DOUBLE INSULATION" or "DOUBLE INSULATED." The symbol (square within a square) is also able to be marked on the product.

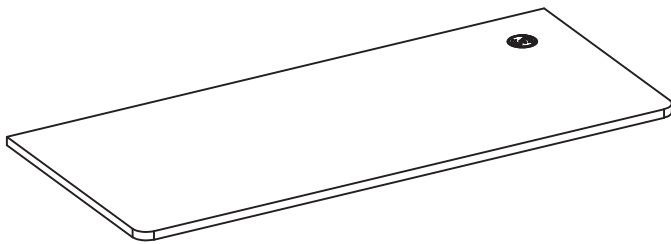
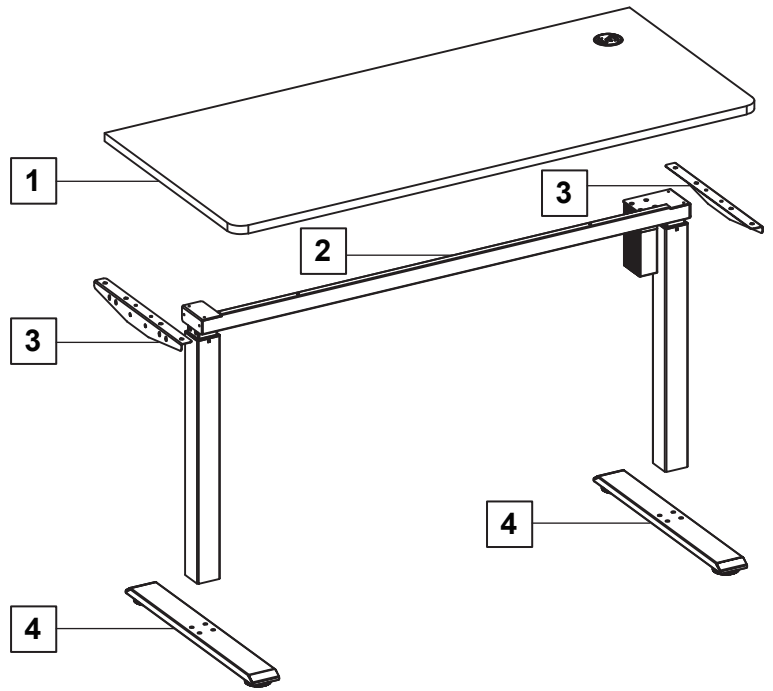
Safety and Care Advice

1. The maximum functional load of weight that can be placed on this product is 50kg.
2. This product must not be used as a seat.
3. Always use the original AC power adapter and power cable supplied, otherwise it may cause slow wireless charging. In extreme cases, an incompatible AC power adapter may overheat.

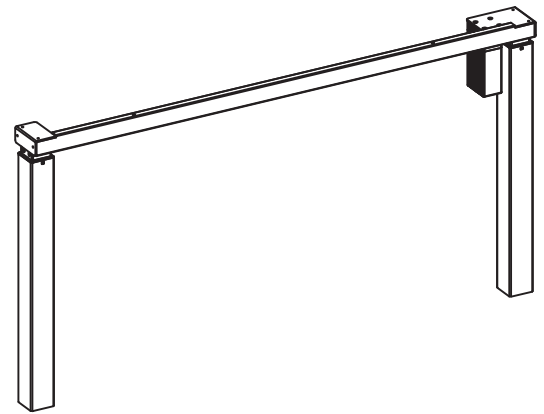
Main Components

Please check you have all the parts listed below

NO	Component Name	Qty
1	Desk Top	1
2	Leg Frame	1
3	Leg Bracket	2
4	Feet	2



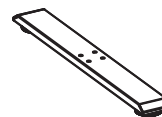
1 Desk top
Qty 1



2 Leg Frame
Qty 1



3 Leg Bracket
Qty 2


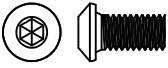

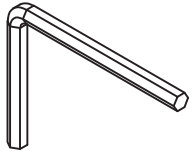
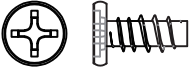
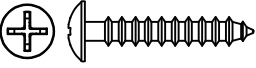

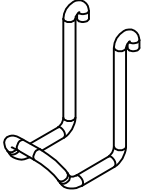
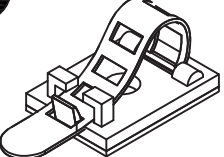


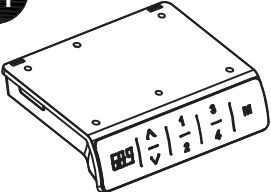
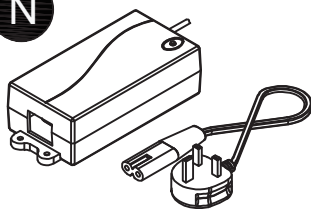
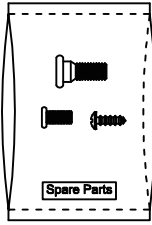


4 Foot
Qty 2

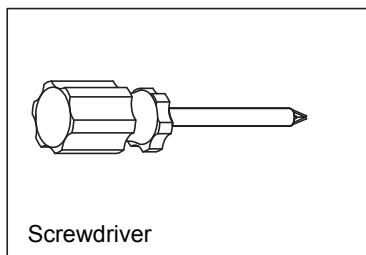
Fixings, Fittings And Tools

Please check you have all the parts listed below

Note: The quantities below are the correct amount to complete the assembly. In some cases more fittings may be supplied than are required.

<p>A</p>  <p>M8x38mm Allen Screw Qty 8</p>	<p>B</p>  <p>M6x12mm Allen Screw Qty 16</p>	<p>C</p>  <p>M6x52mm Allen Screw Qty 2</p>	<p>D</p>  <p>Allen Key Qty 1</p>
<p>E</p>  <p>M6x12mm Screw Qty 2</p>	<p>F</p>  <p>M4x25mm Flat Head Screw Qty 3</p>	<p>G</p>  <p>M3x16mm Medium Wood Screw Qty 4</p>	<p>H</p>  <p>Accessory hook Qty 2</p>
<p>J</p>  <p>Self-adhesive Cable Strap Qty 3</p>	<p>K</p>  <p>M3x12mm Flat Head Screw Qty 3</p>	<p>L</p>  <p>Cup Holder Qty 1</p>	<p>M</p>  <p>Control Box Qty 1</p>
<p>N</p>  <p>Power Adapter Qty 1</p>	<p>O</p>  <p>Spare Parts Qty 1</p>		

Tools needed (Not supplied)

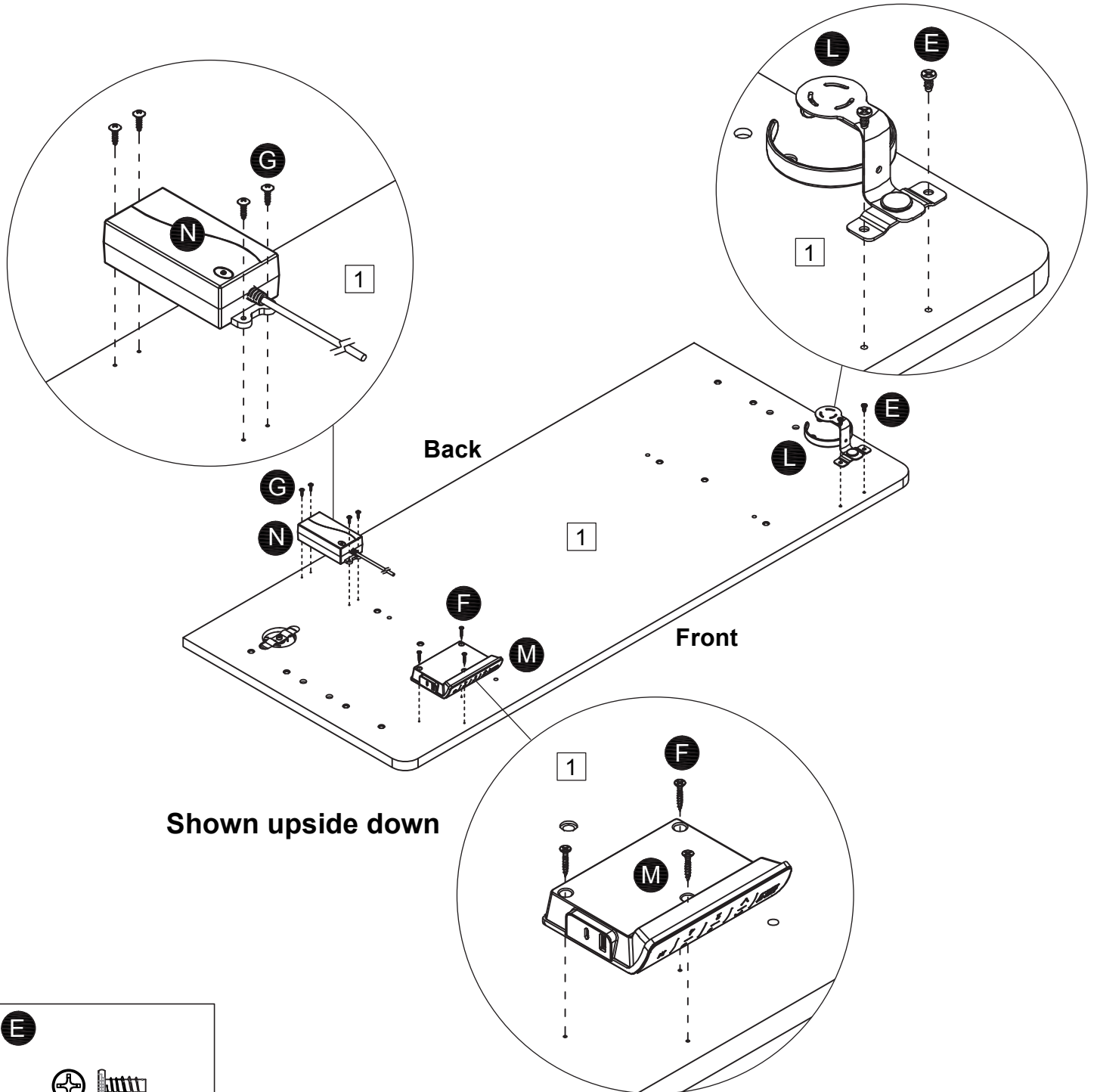


For missing or damaged parts, call our Customer Helpline: 01799 513466 or email cs@kobledesigns.com

Assembly Steps

Step 1

Assemble cup holder **L**, control box **M** and power adaptor **N** to the underside of desk top **1** using the fixings shown.



Shown upside down

E



M6x12mm Screw Qty 2

F



M4x25mm Flat Head Screw Qty 3

G



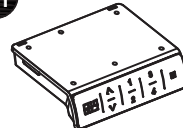
M3x16mm Medium Wood Screw Qty 4

L



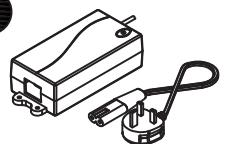
Cup Holder Qty 1

M



Control Box Qty 1

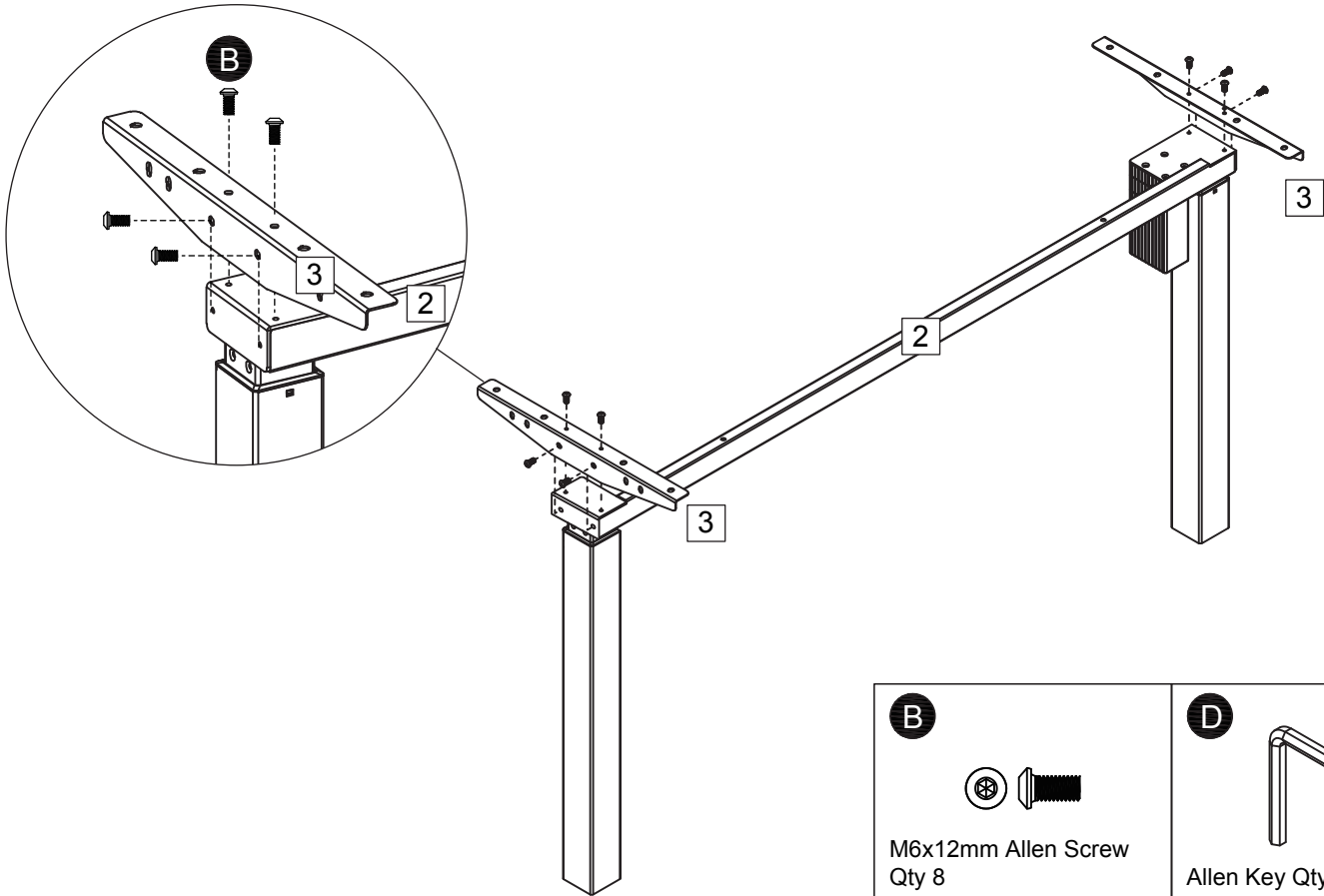
N



Power Adaptor Qty 1

Step 2

With help, assemble leg brackets **3** to the top of leg frame **2**.

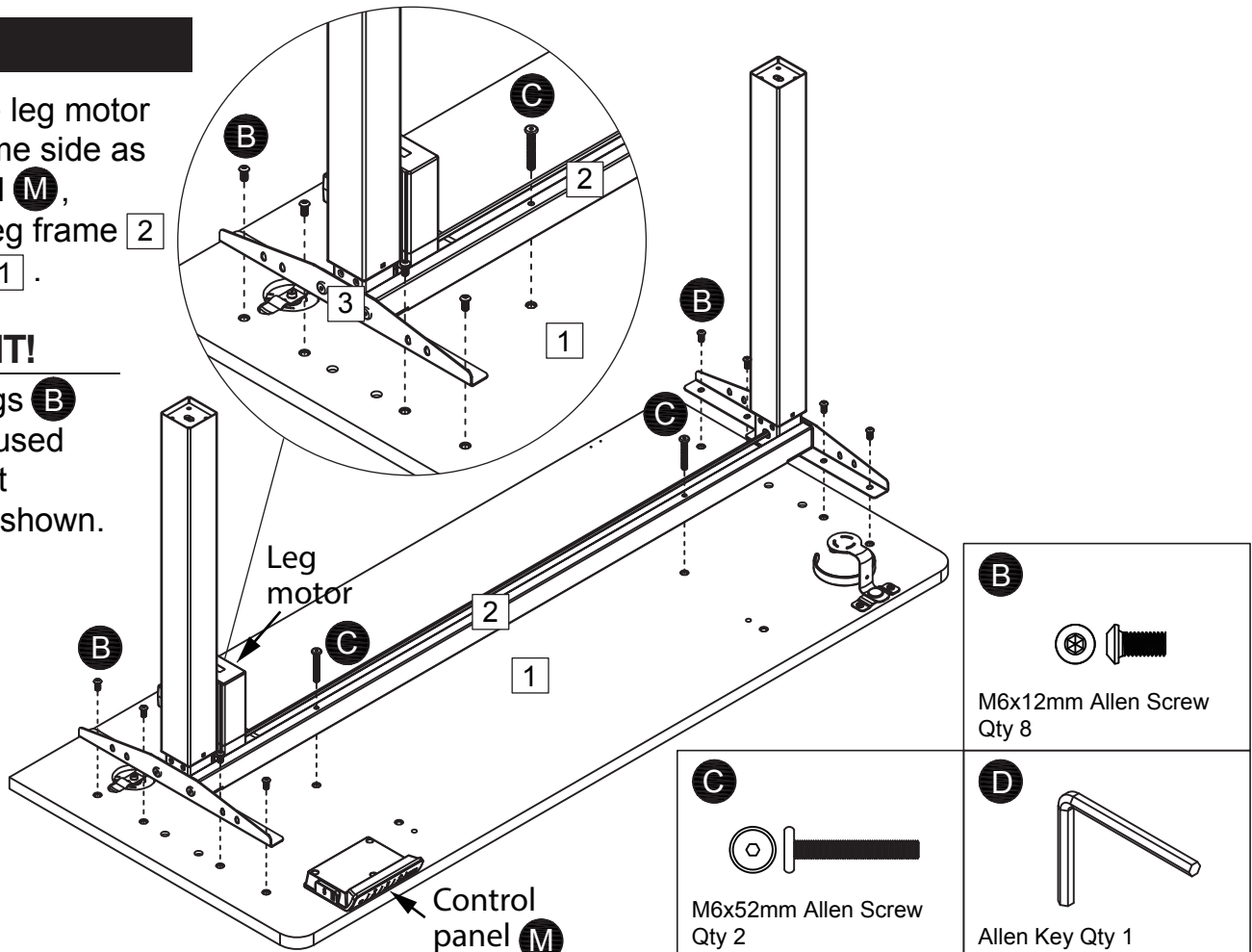


Step 3

Ensuring the leg motor is on the same side as control panel **M**, secure the leg frame **2** to desk top **1**.

IMPORTANT!

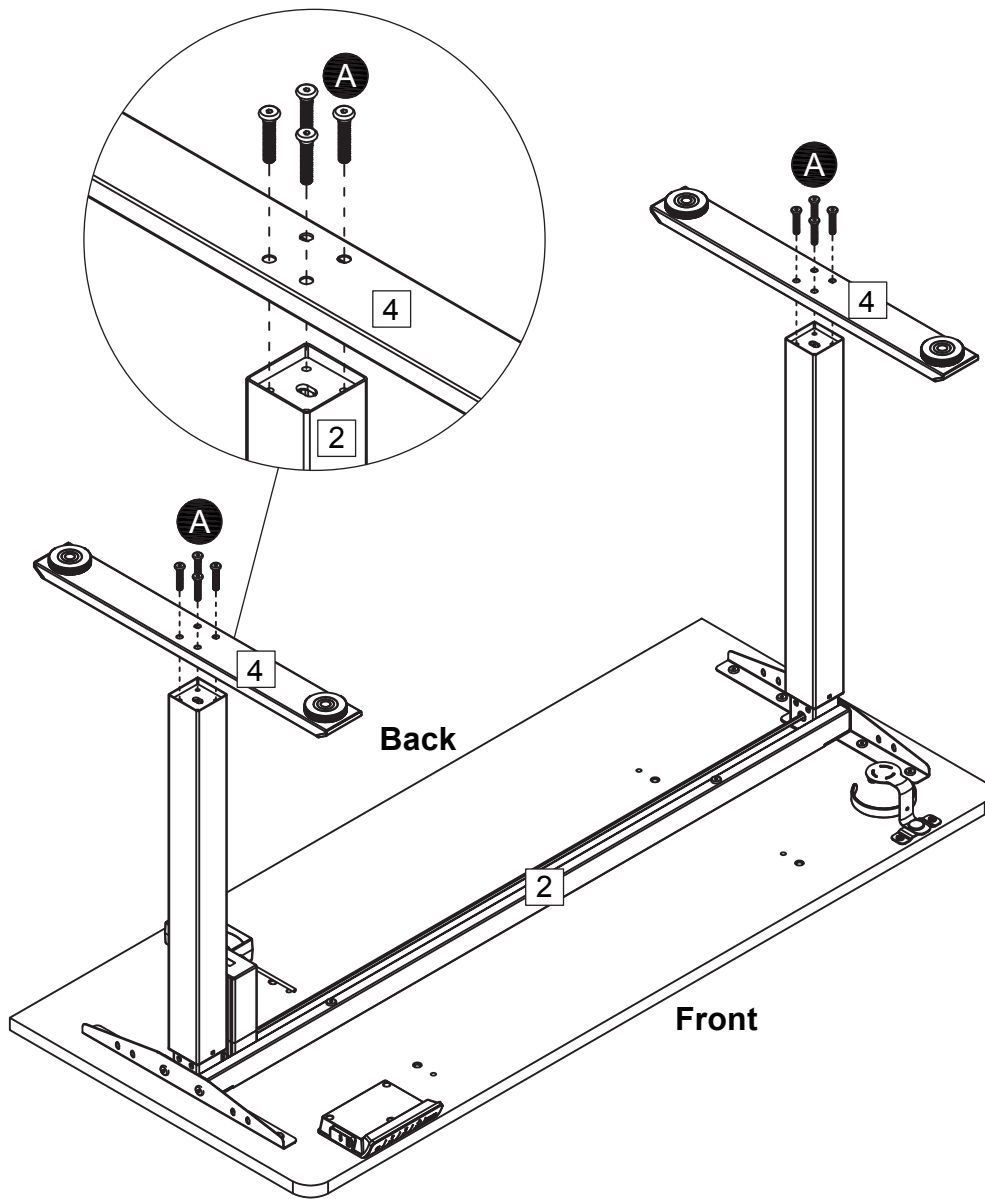
Ensure fixings **B** and **C** are used in the correct positions as shown.



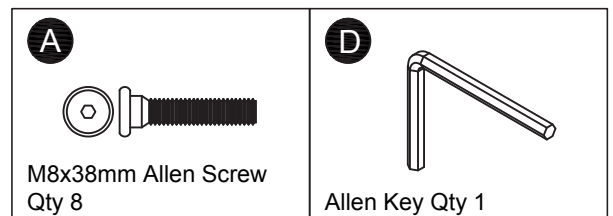
Shown upside down

Step 4

Assemble feet **4** to leg frame **2**.



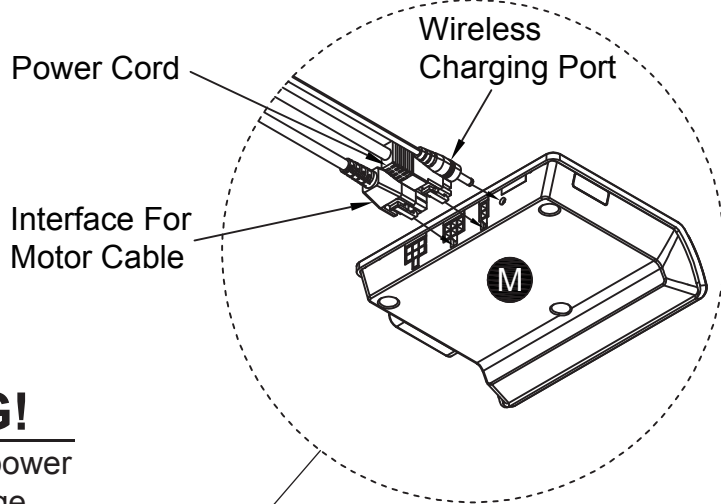
Shown upside down



Step 5

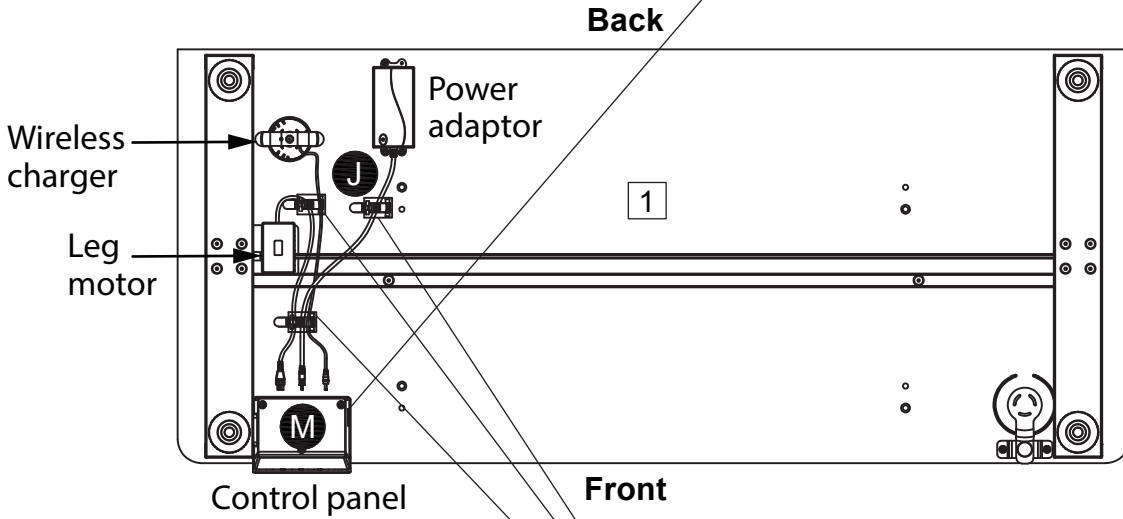
Complete cable connections into the back of control panel **M** as shown.

Wireless Charger
Power
Motor



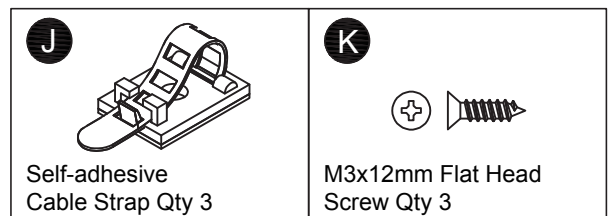
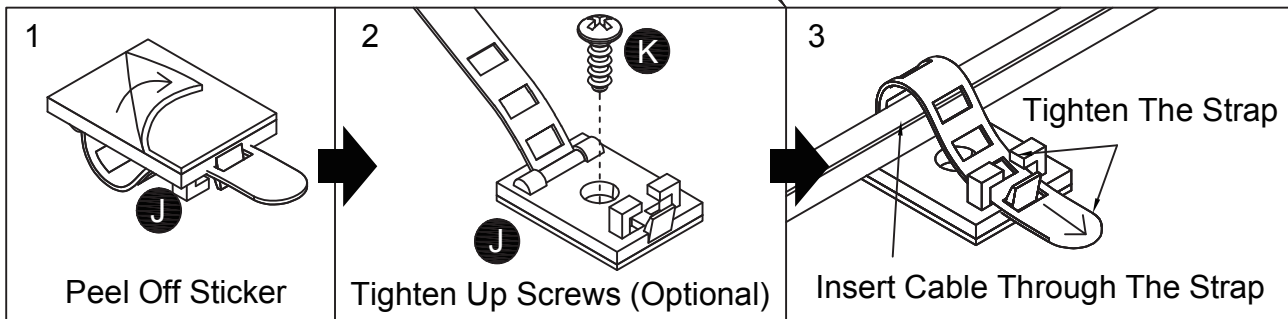
WARNING!

Do Not Connect to power source at this stage.



Shown upside down

Use cable strap **J** to secure loose cables.



Step 6

With help, turn the desk upright

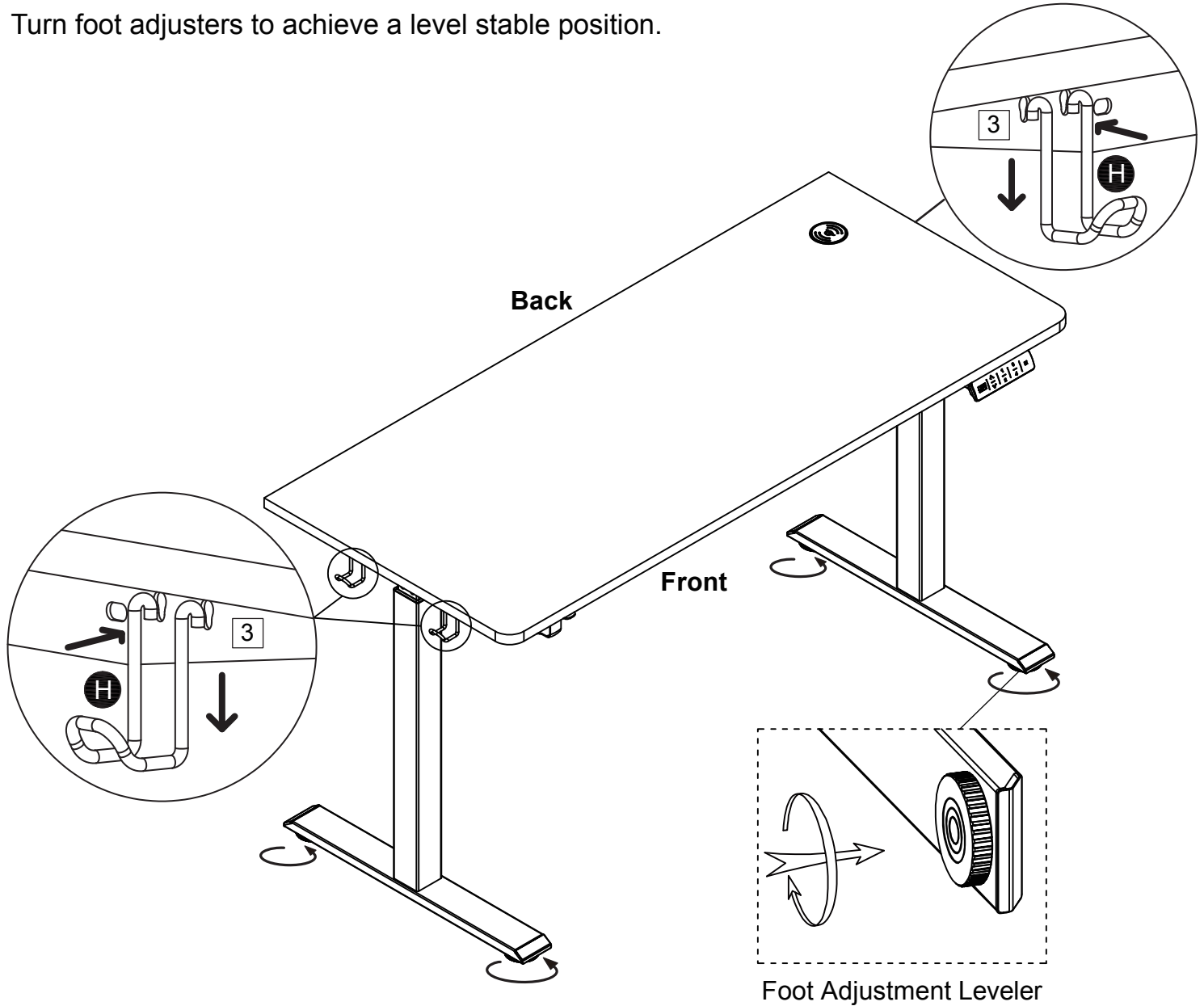
Two People Required.



 Warning - The desk is heavy. Lift with care.

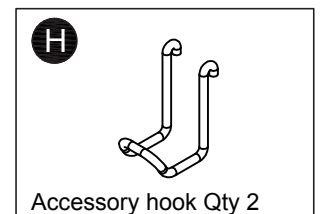
Locate accessory hooks  into leg brackets . These can be located on either side.

Turn foot adjusters to achieve a level stable position.



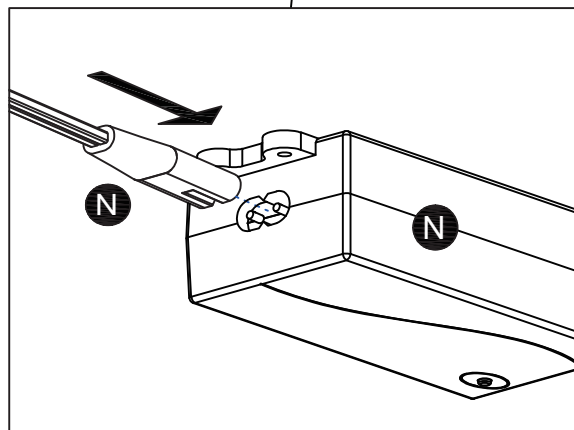
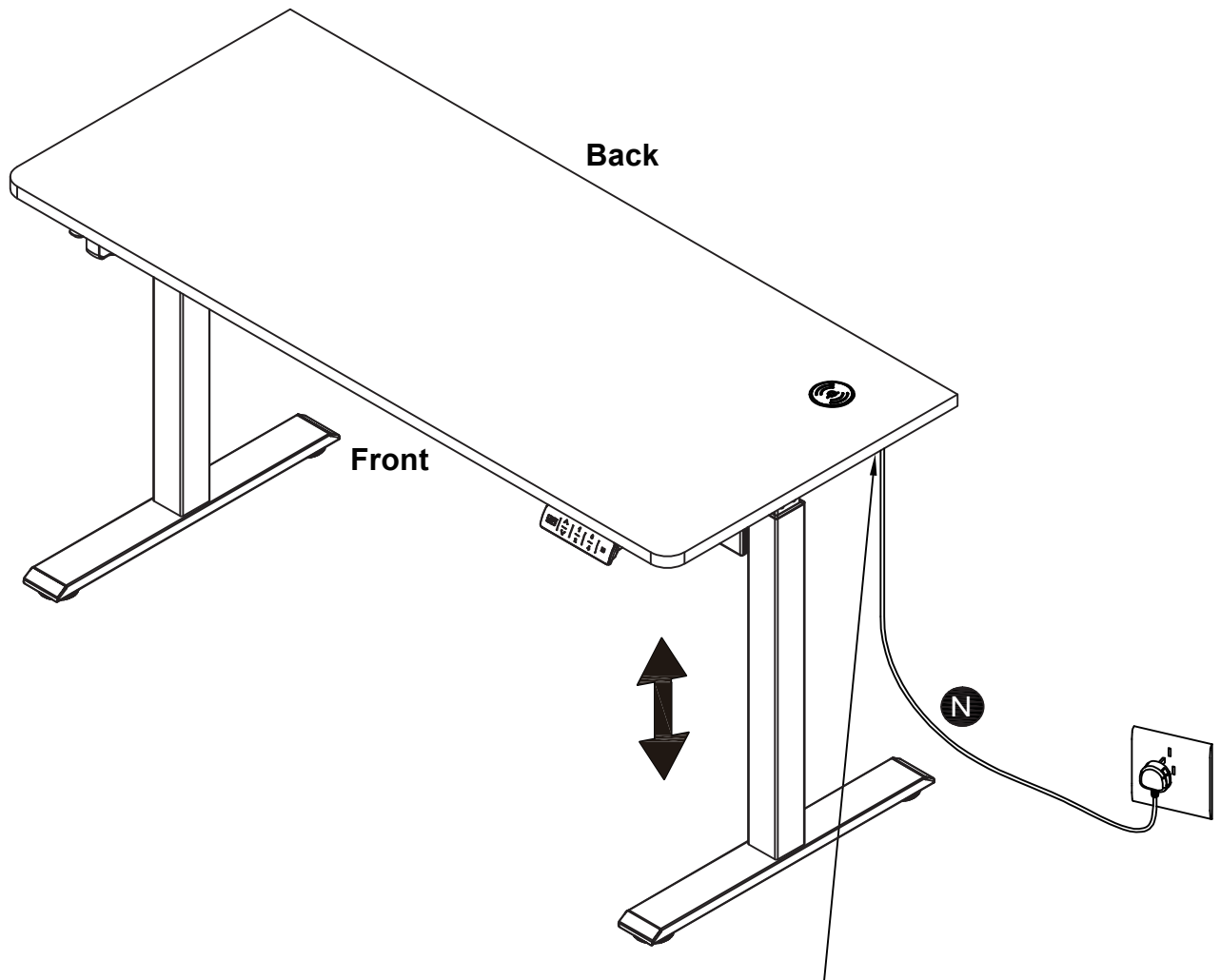
WARNING!

The desk is heavy!
To avoid injury, lift with care.

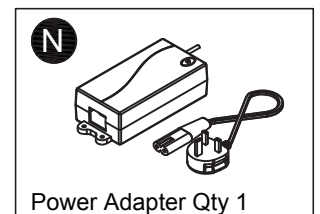


Step 7

Plug power cable **N** into power adapter **N**.
Connect to mains power and switch on.

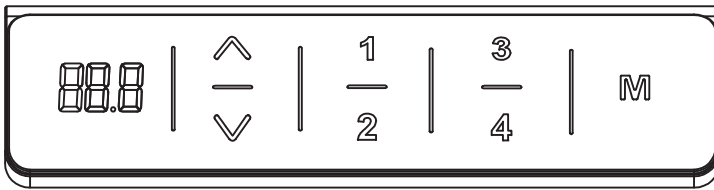


Connect Power Cable to Power Adapter

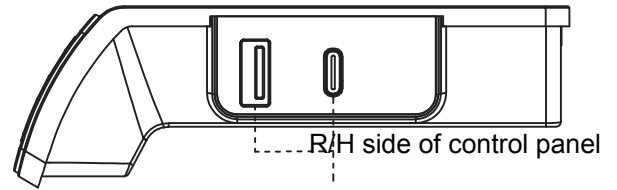


Operation

Control Panel



USB and USB-C

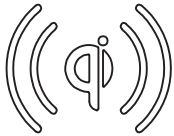


2 USB Ports

(1 Type A 5V2.4A, 1 Type C 20V1A)

While adjusting the height of your desk, the USB ports will pause charging until the height adjustment process completes.

Wireless Charger



Wireless Charger
5W / 7.5W / 10W

Desk Top Up / Down

1. The LED digital display shows the height of the base. The digital display deems out automatically if there is no input after 5 seconds.
- 2 Press and hold the " \wedge " button to move the base and release when the base reaches the desired height. When the display shows "top", the base has reached its highest position.
- 2 Press and hold the " \vee " button to lower the base and release it when it reaches the desired height. The base is at the lowest position when the display shows "bot".

Lock / Unlock

1. Lock Function: To lock the current height position to prevent interruption of the height setting. Press and hold the "M" button for 3 seconds until it activates the "beep" sound and automatically sets to Lock Mode. Then, Press and hold the "M" button again until it activates the "beep" sound and returns to Unlock Mode.

Units of measure

To switch the unit of height measurement between inches and centimetres (Factory default set as inches), Press and hold the "M" and " \vee " at the same time for 3 seconds (Note: It does not work when Lock Mode is on).

Stand Reminder

1. To activate the Sedentary Mode, Press and hold the "M" and " \wedge " buttons at the same time for 3 seconds until the digit value (default 00) displays and flashes.
2. Press " \wedge " OR " \vee " to select 00, 10, 15, 30, 45, 60, 75, 90, 105, 120 for the countdown time setting. Repress the "M" button to confirm and start the countdown program.
3. After the countdown starts, press the "M" button to display the remaining time of the countdown, and it disappears after it flashes five times.
4. After the Sedentary setting is completed, the current height value will display on the screen for 3 seconds by pressing any buttons. Then the remaining countdown time will display and flashes 3 times.

Height Memory Settings

1. When the base reaches the desired height, Press and hold any one of the digit number buttons (Between "1" to "4") for 3 seconds, and the display of height value will flash 5 times, and the preset for the height is set. (The default preset setting height 30in/35in/40in/45in)
2. The desk will automatically return to the preset height when touching corresponding memory button.

Wireless charging function

If you have a wireless charging compatible device, please put the phone on the wireless charging indicator and check if the phone is successfully connected to the charging function. If not, move the mobile phone near the logo until the connection is successful.

Some phone cases may inhibit the wireless charging function or its efficiency. It may be necessary to remove the phone case if difficulties are experienced.

Wireless charging will only work with wireless charging compatible mobile devices.



wireless charging function

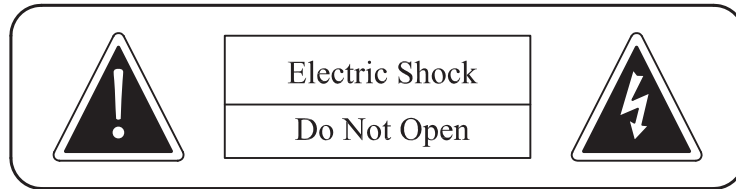
Trouble Shooting

PROBLEM	ROOT CAUSE	CORRECTIVE ACTION
Display indicates E1	The motor has overheated.	Unplug the power cord and re-plug after 18 minutes. Factory reset is required.
Display indicates E2	The top load is too heavy.	Reduce the top load to a maximum of 45.4 kg (100 lbs).
	The motor is stuck.	Visually inspect whether there are any foreign materials or objects obstructing the motor and/or its shaft. Unplug the power cord for 5 minutes and then plug in again. Factory reset is required.
Display indicates E3	The motor is not powered.	Unplug the unit and visually inspect whether there are any loose electrical connections between the power cord and the adaptor, or from the adaptor to the motor. Unplug the power cord for 5 minutes and then plug in again. Factory reset is required.
Display indicates E4	Motor voltage is too low.	Make sure the power adapter is connected properly and check the power supply within the power supply range AC100V-240V Unplug the power cord for 5 minutes and then plug in again. Factory reset is required.
Display indicates RES	Desk needs to be reset to accurately display height.	A factory reset is required for the first initialization or when power is cut off due to electrical problems. Factory reset is required.
Display indicates E12	Motor failure.	Contact customer service.

Factory reset	Make sure that the cables are all connected before powering up. Press and hold the "▲" and "3" for 5 seconds after connecting to power until the RES shows on screen. The table automatically goes down until it reaches the bottom and bounce back slightly with a "beeping" sound. The "bot" message will then display on the screen. The reset process is complete.
---------------	--

Electrical system

WARNINGS!! Please read carefully



This symbol is intended to alert the user to the presence of un-insulated “dangerous voltage” within the product’s enclosure that may be of sufficient magnitude to cause an electric shock.



This symbol is intended to alert the user to the presence of important operating and maintenance instructions in this user manual.

- a. In order to avoid accidents, do not open any electrical covers. Refer to a professional if the circuit is faulty.
- b. Do not expose the unit to damp or moisture.
- c. Keep the unit away from containers holding liquid. If any liquid enters into the unit, it may be damaged.
- d. Do not expose the unit to dust or smoke.
- e. If the unit will not be used for a long time, please unplug the power.
- f. When using the unit, if smoke appears, or if there is a peculiar smell, please turn off the power, pull out the socket and seek professional help.
- g. Pull out the plug before cleaning the surface of the machine. It can be cleaned with a damp cloth and soap.

After Sales Support / Product Returns

Purchased from kobledesigns.com

In the unlikely event that you need to return the unit because it is faulty, please follow the replacements or faulty items instructions at www.kobledesigns.com website.

Should you need to request replacement parts, please contact our after sales support team at:-

Email - CS@kobledesigns.com

Tel: + 44 (0)1799 513 466

Address: Koble Designs, 6 The Shires, Shirehill industrial Estate, Saffron Walden, Essex, CB11 3AP

Purchased from other retailer

If you purchased your product from one of our retail partners, please refer back to the retailer directly, for any customer services related issues, refunds or returns requests.

Koble designs may still be able to offer support with technical related queries.

Disposal



■ If disposal of this product becomes necessary, please do this in an environmentally responsible way. Contact your local government office or authority for suitable disposal or recycling options in your local area. Do not dispose of this product, or it's components, with your general domestic waste.

