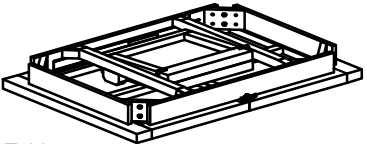
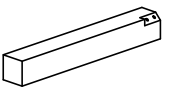



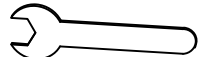
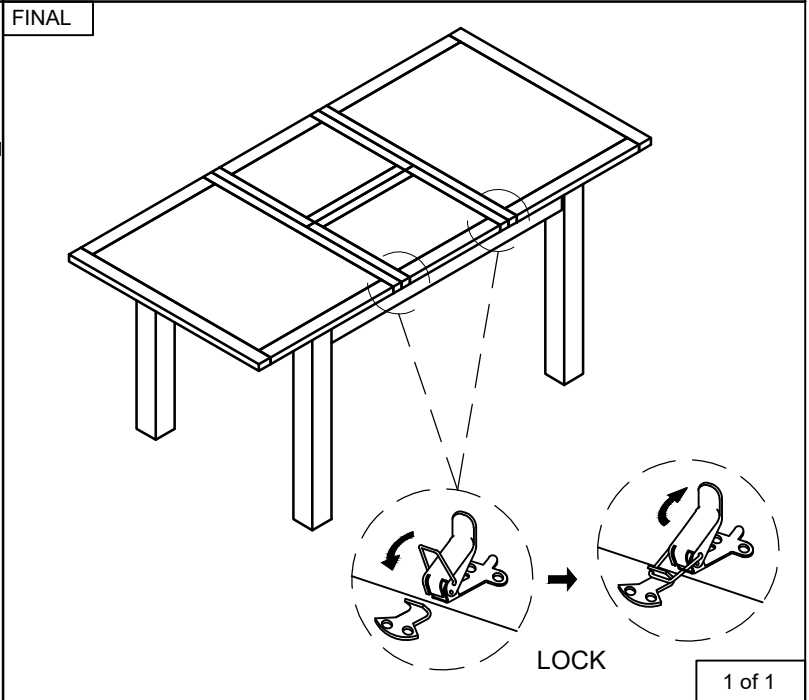
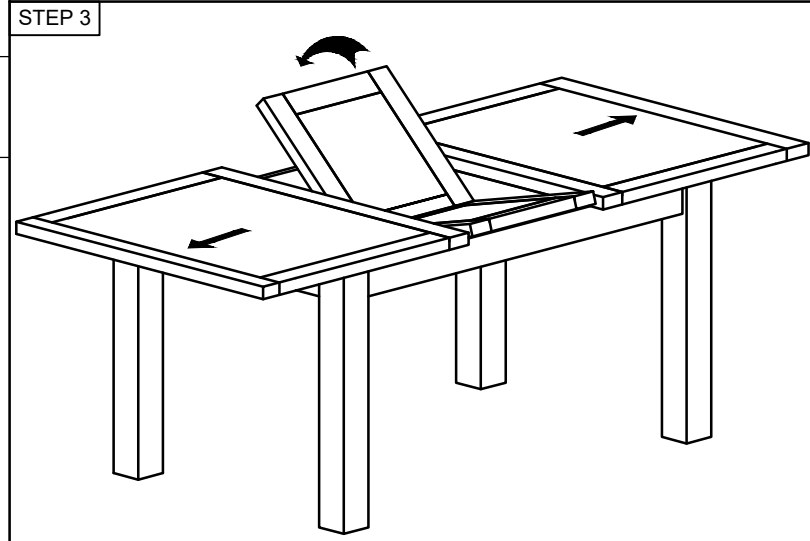
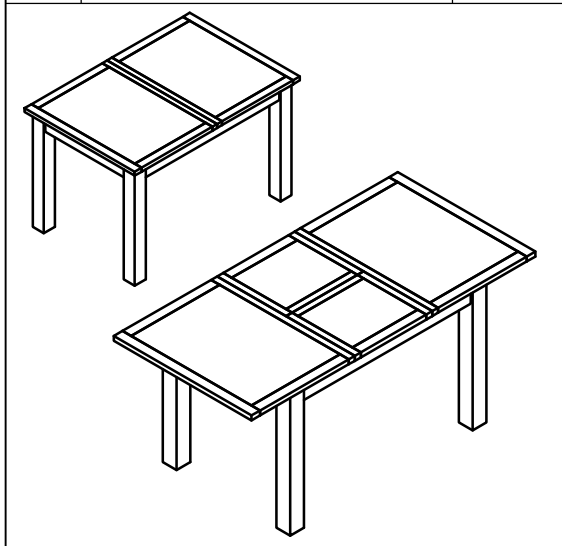
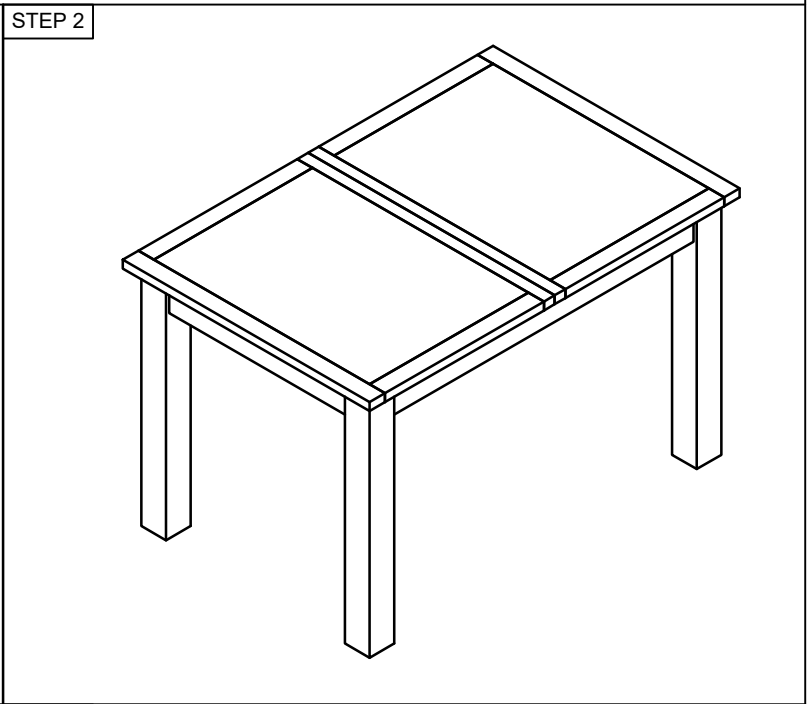
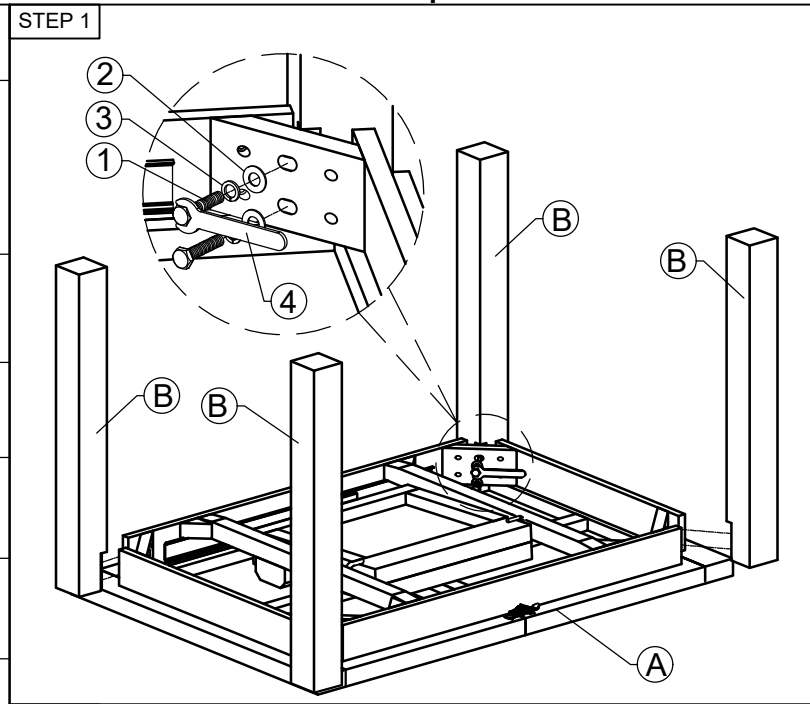


ASSEMBLY INSTRUCTION

Compact Ext. Table

No	Name of Component	Q.ty
(A)	 Table top	1
(B)	 Leg	4
No	Name of Hardware	Q.ty
(1)	Bolt M10 x 60 	8
(2)	Washer Ø20/Ø11 x 2 	8
(3)	Spring Washer M10 	8
(4)	Spanner 	1



When opening or closing the table :
Please pull/push with both hands using equal strength, while standing at the head of the table