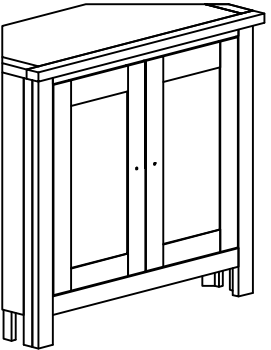
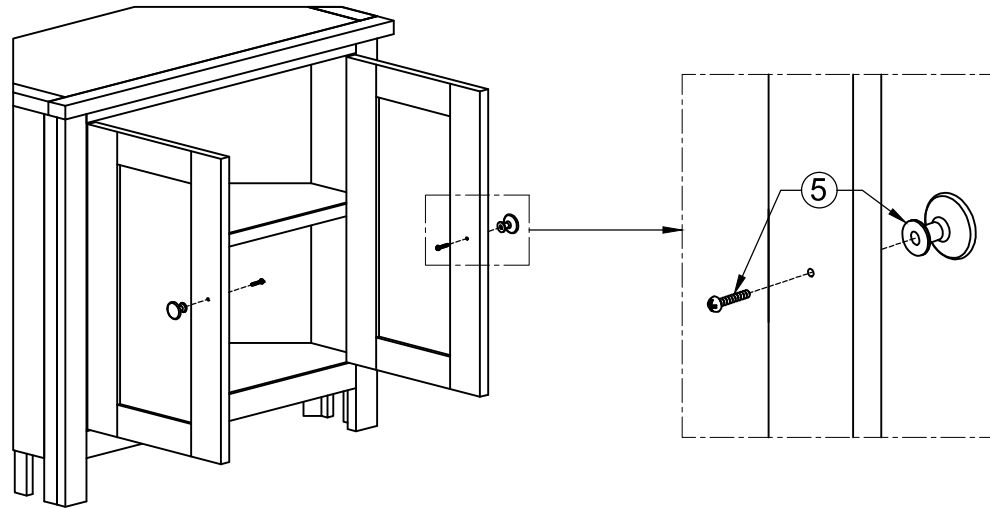






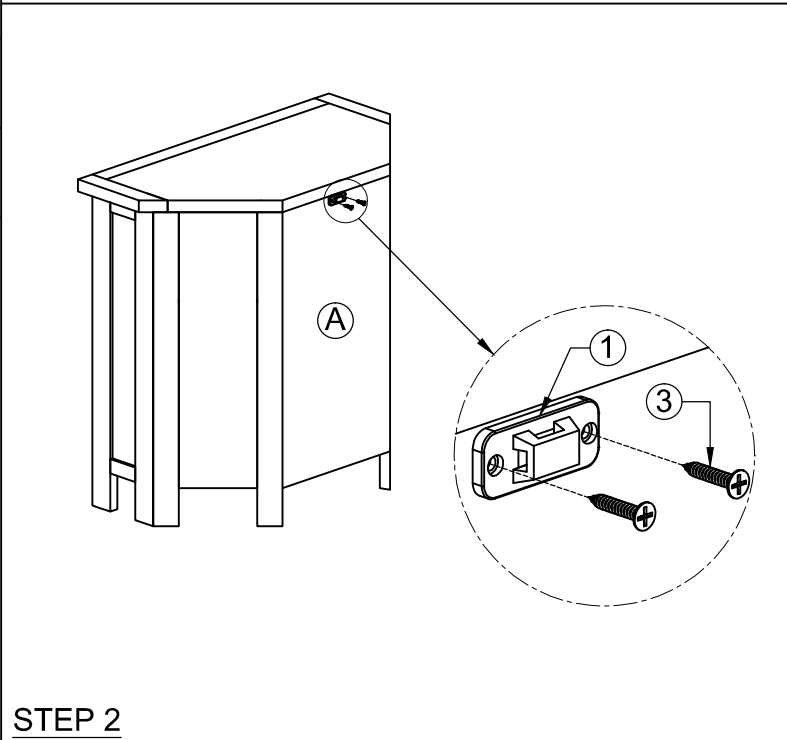
# ASSEMBLY INSTRUCTION G975 - CORNER CUPBOARD

| No  | Name of Component   | Q.ty |
|-----|---|------|
| (A) |  | 1    |

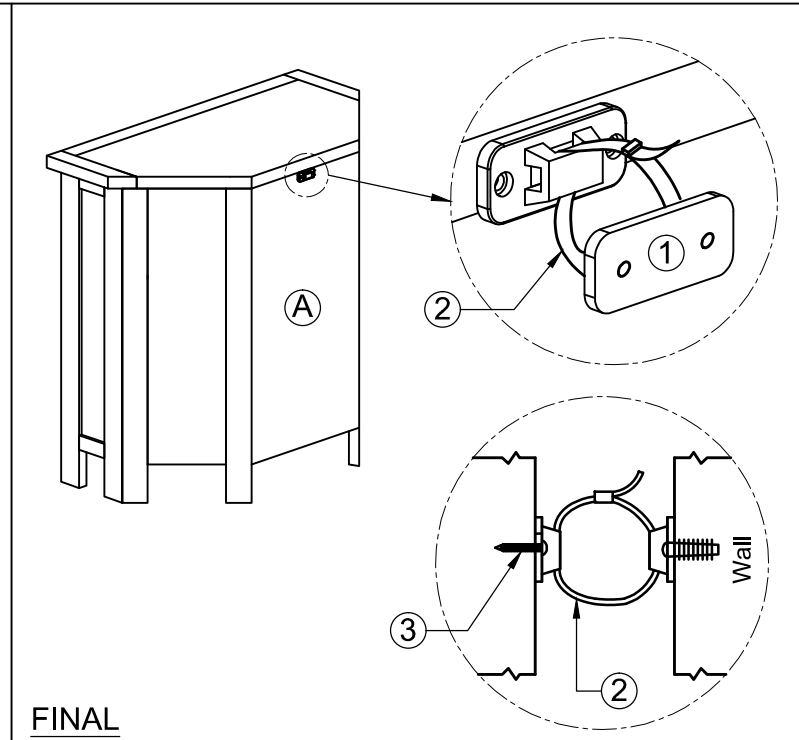


| No  | Name of Hardware  | Q.ty  |
|-----|---|-------|
| (1) | Bracket        | 2     |
| (2) | Tie            | 1     |
| (3) | Screw M4 x 20  | 2     |
| (5) | Handle        | 2 Set |

## STEP 1



## STEP 2



## FINAL