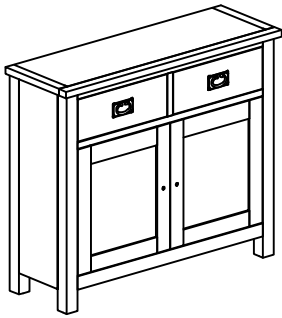






# ASSEMBLY INSTRUCTION G973 - SMALL SIDEBOARD

No	Name of Component	Q.ty
(A)		1
No	Name of Hardware	Q.ty
(1)	Bracket 	2
(2)	Tie 	1
(3)	Screw Ø4 x 20 	2
(4)	Handle with Bolt 	2 Set

