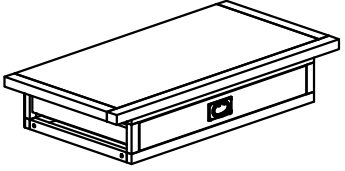
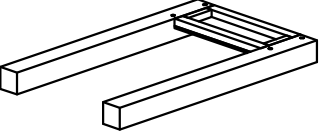


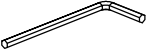



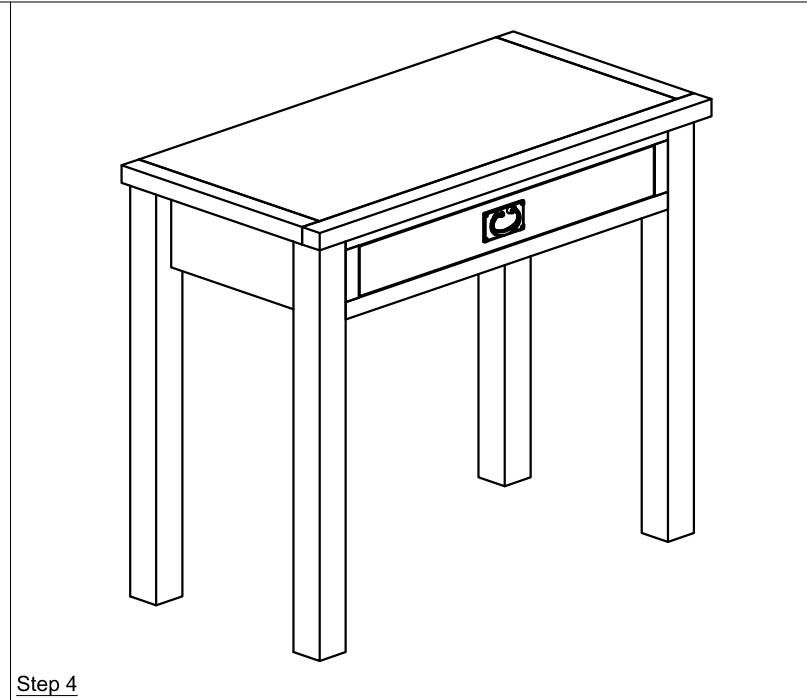
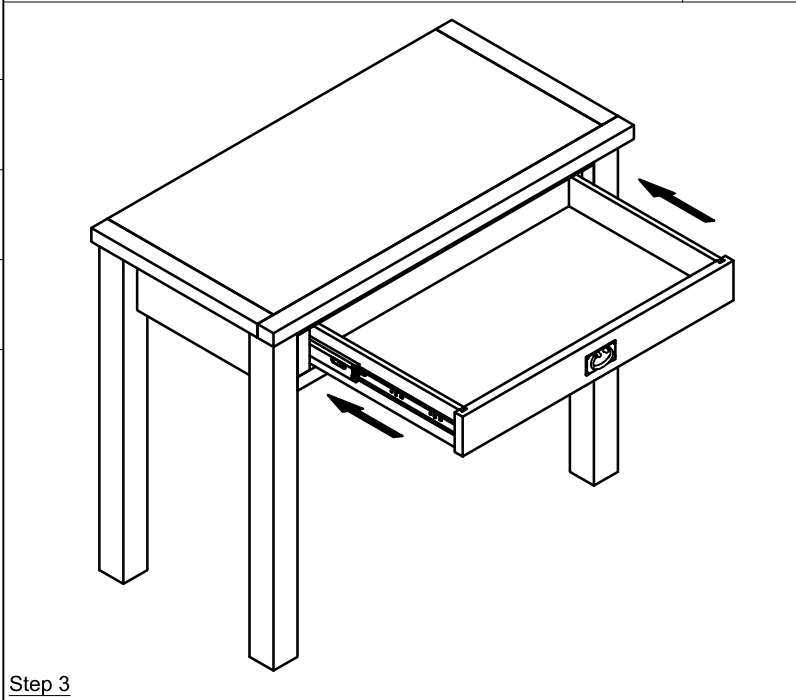
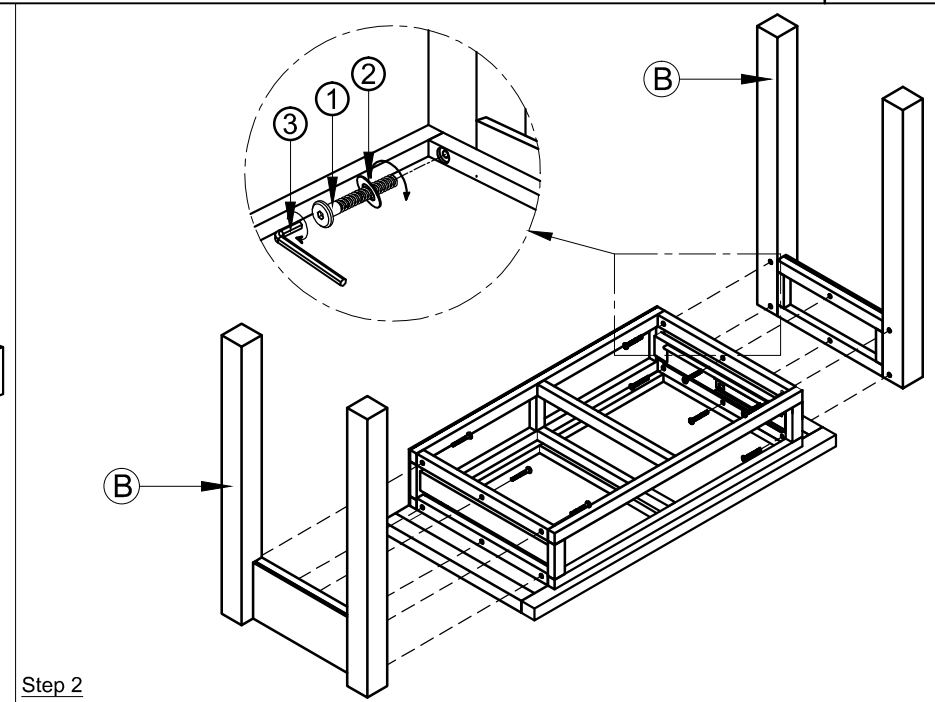
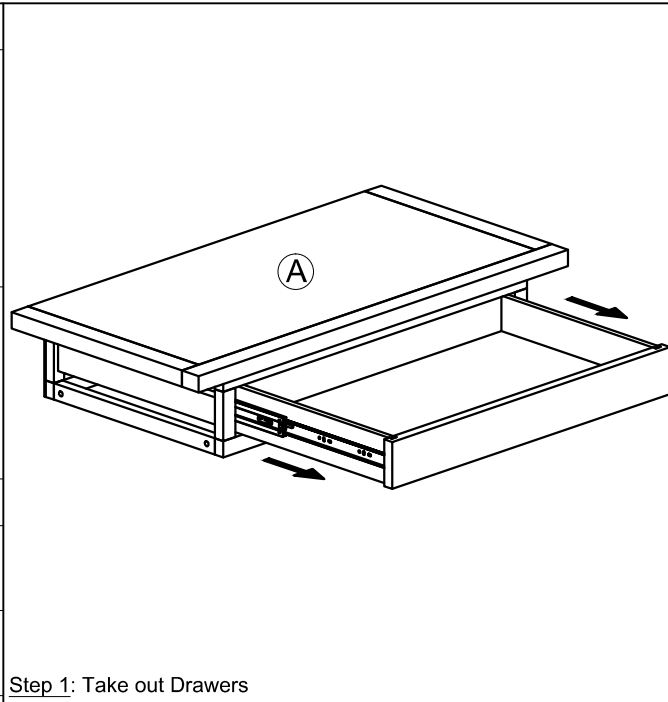


ASSEMBLY INSTRUCTION

G971 - LAPTOP DESK

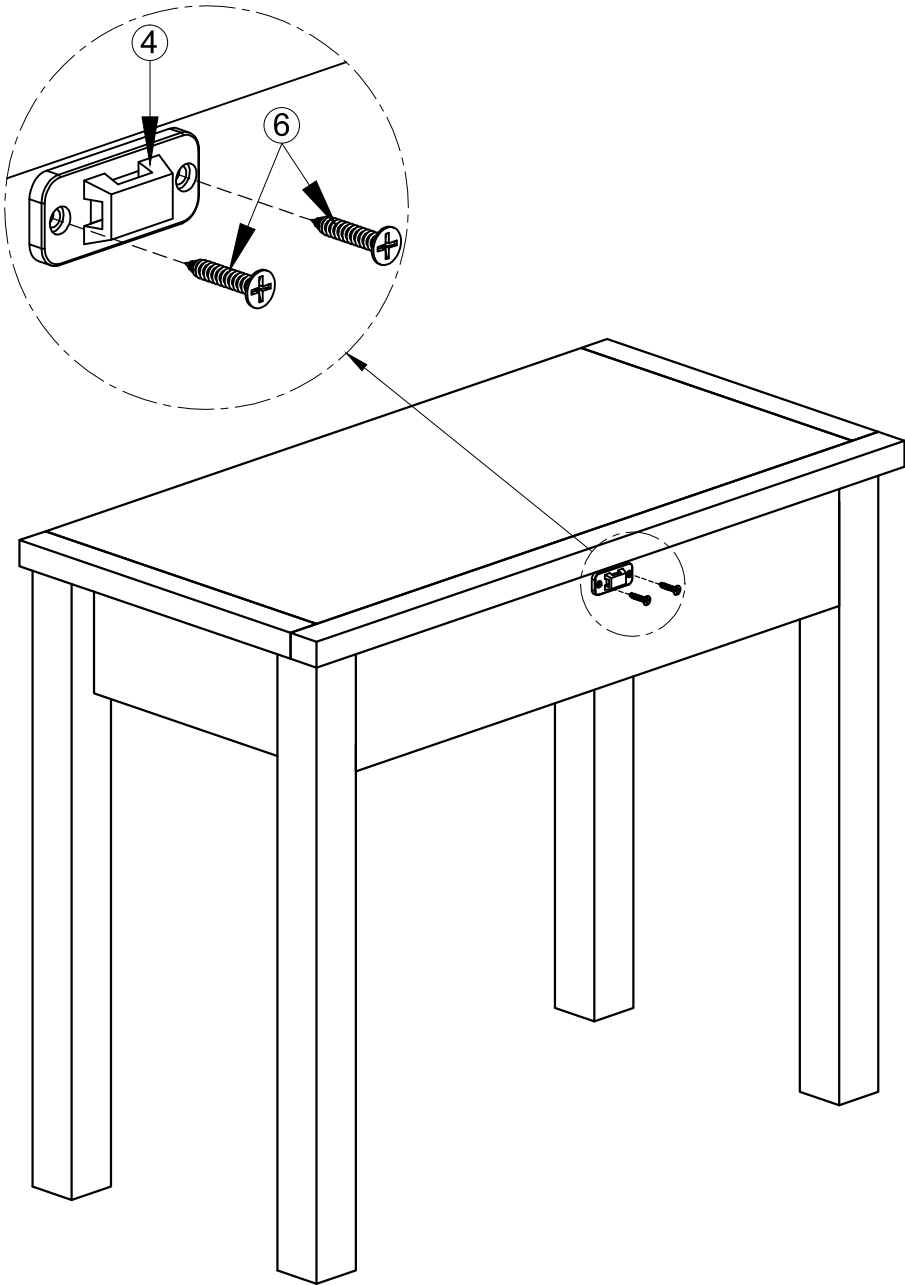
No	Name of Component	Q.ty
(A)	 Table top frame	1
(B)	 Leg frame	2
No	Name of Hardware	Q.ty
(1)	Bolt M6 x 35 	12
(2)	Washer Ø7/Ø15 x 1 	12
(3)	Allen key (K4) 	1
(4)	Bracket 	2
(5)	Tie 	1
(6)	Screw Ø4 x 20 	2



ASSEMBLY INSTRUCTION

G971 - LAPTOP DESK

Step 5



FINAL

