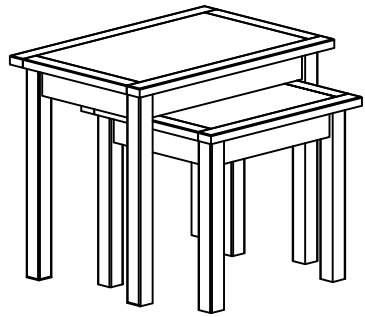
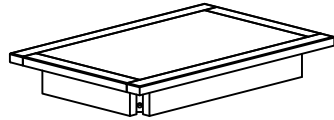


ASSEMBLY INSTRUCTION NEST OF TABLE



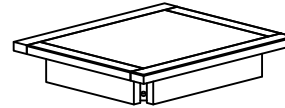
Ⓐ - BIG TABLE TOP 1X



Ⓑ - LONG LEG 4X







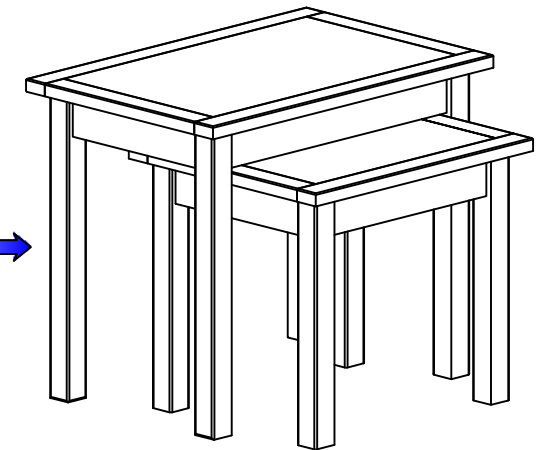
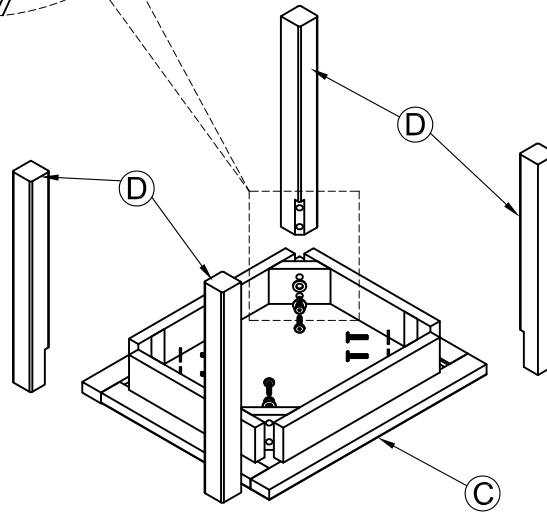
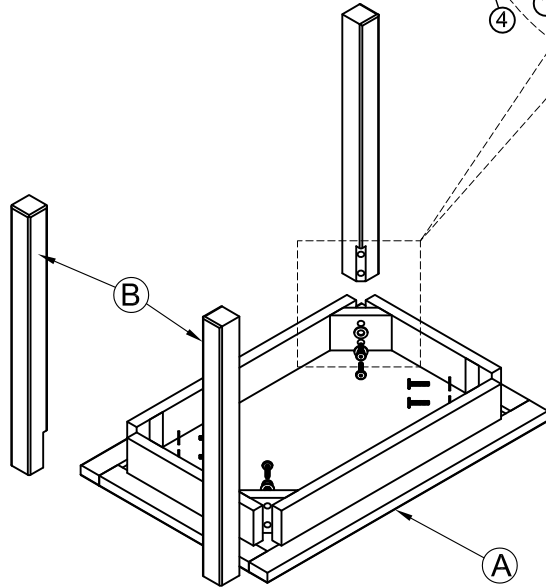
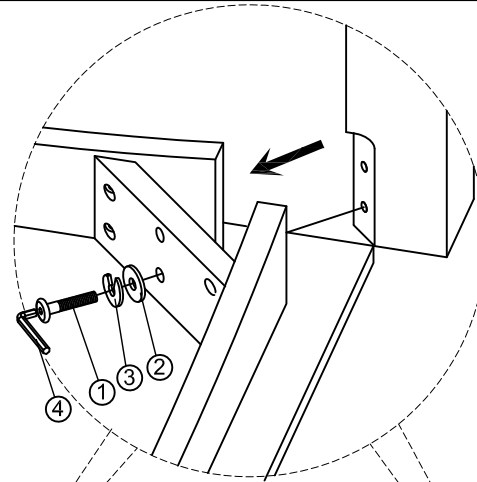
Ⓒ - SMALL TABLE TOP 1X



Ⓓ - SHORT LEG 4X



No	Name of Hardware	Fig	Q.ty
①	Bolt M6 x 60		16
②	Washer Ø7/Ø15 x 1		16
③	Spring Washer M6		16
④	Allen Key		1



FINAL