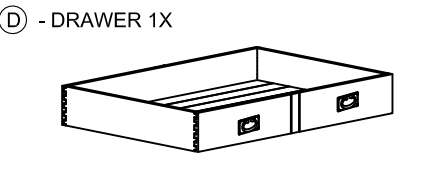
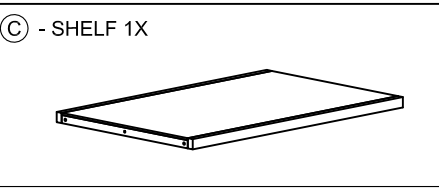
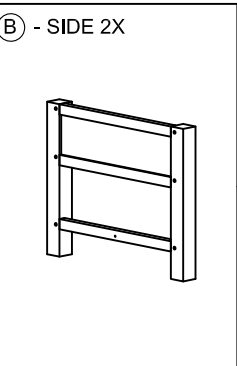
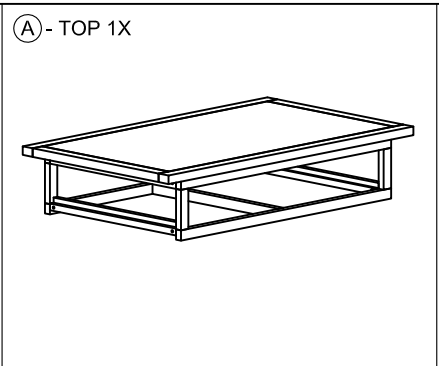
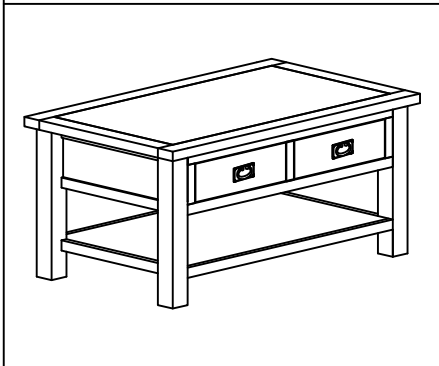
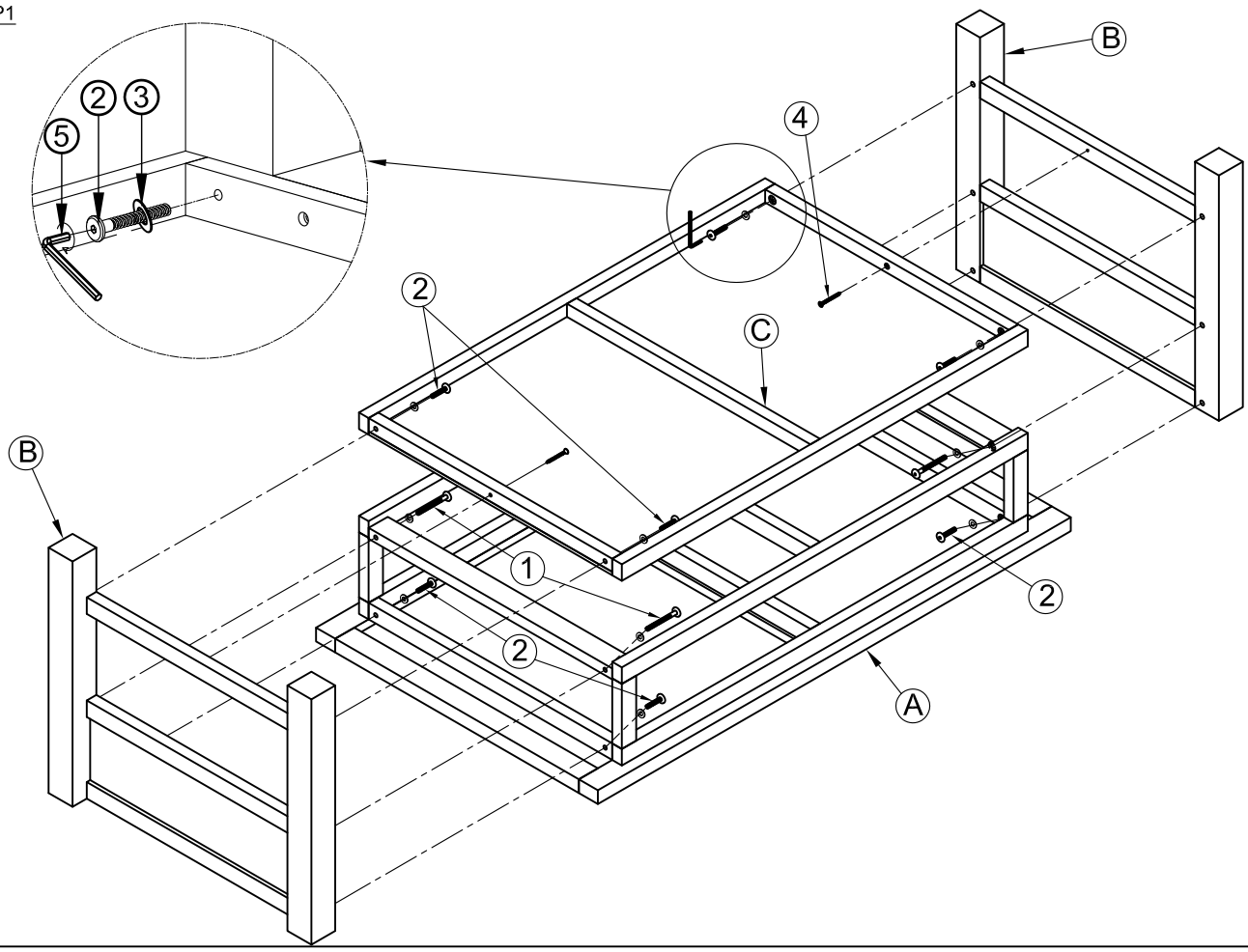


ASSEMBLY INSTRUCTION COFFEE TABLE



No	LIST OF HARDWARE	Fig	Q.TY (pcs)
①	Bolt M6 x 60		4
②	Bolt M6 x 40		8
③	Washer Ø7/Ø15 x 1		12
④	Screw M4 x 35		2
⑤	Allen Key (K4)		1

STEP1



STEP2

