









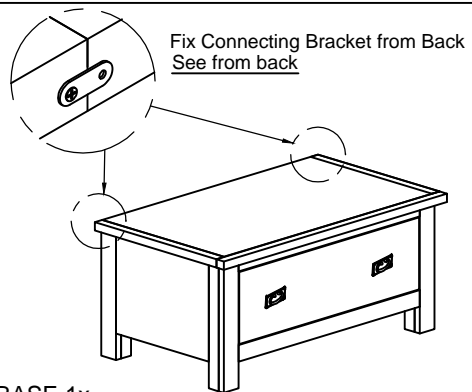
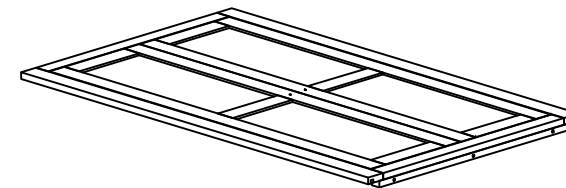


ASSEMBLY INSTRUCTION G959 - GENTS WARDROBE

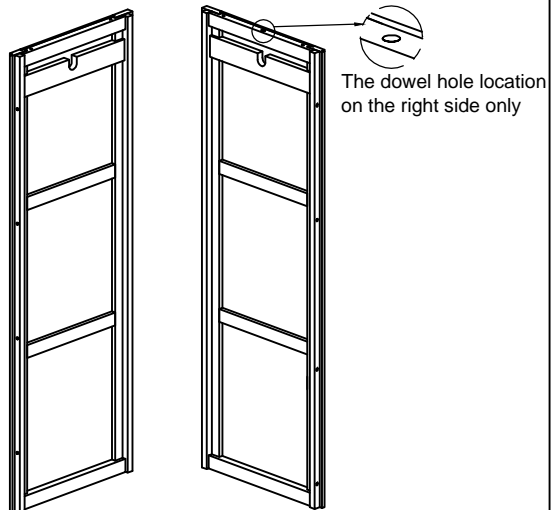
No	LIST OF HARDWARE	FIG	Q.TY(pcs)
①	Bolt M6x35		8
②	Screw Ø4x35		16
③	Screw Ø4x20		6
④	Screw Ø4x45		3
⑤	Wooden Dowel Ø8x30		1
⑥	Handle with Bolt		2 (set)
⑦	Flat Washer M6		8
⑧	Allen key K4		1
⑨	Bracket		2
⑩	Tie		1



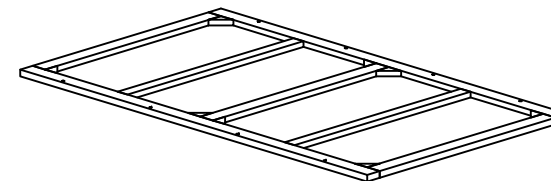
Ⓐ - BASE 1x



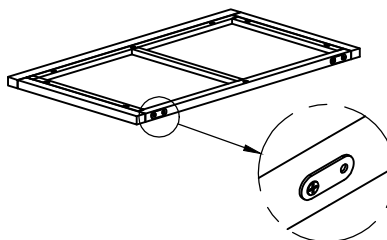
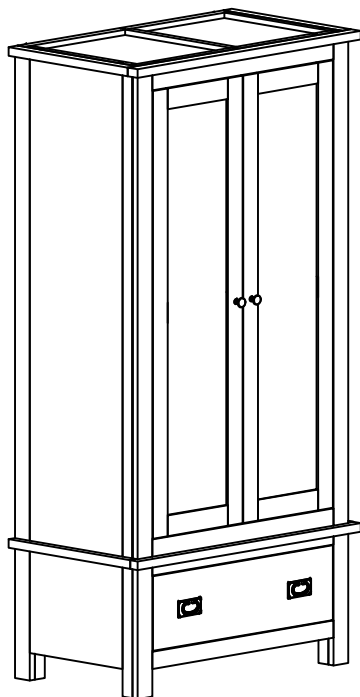
Ⓑ - FRONT FRAME WITH DOOR 1X



Ⓒ - RIGHT FRAME 1X AND LEFT FRAME 1X



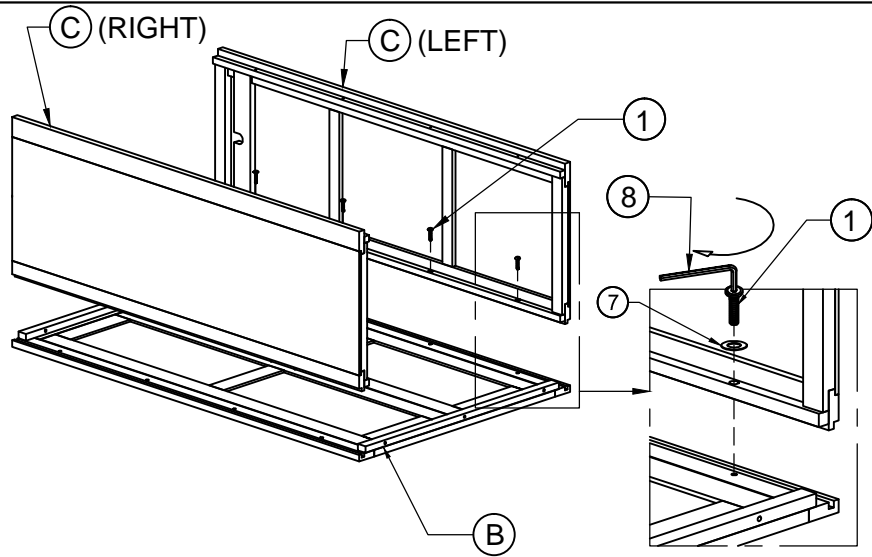
Ⓓ - BACK FRAME 1X



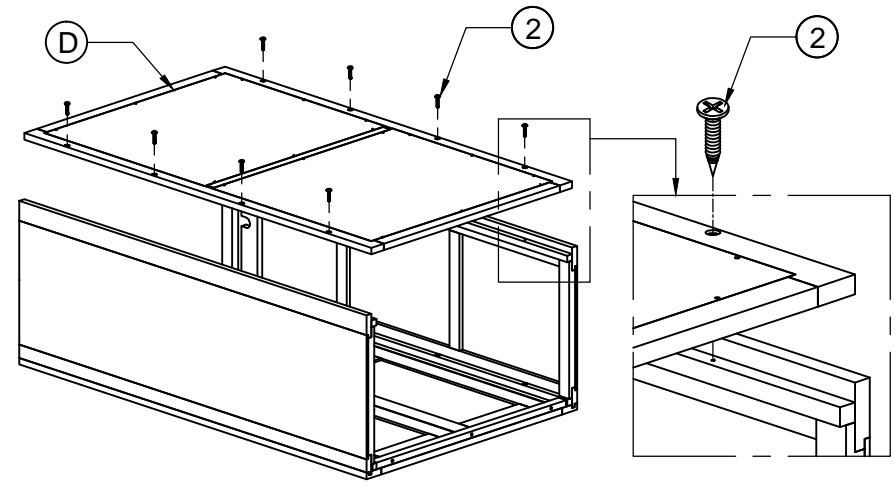
Ⓔ - TOP FRAME 1X



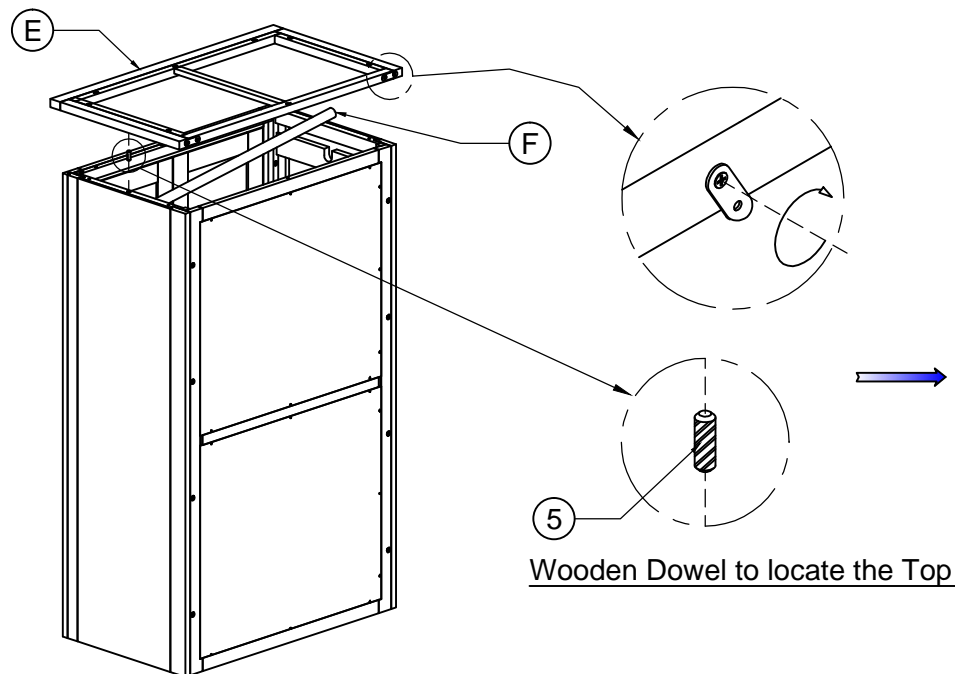
Ⓕ - HANGING RAIL 1X



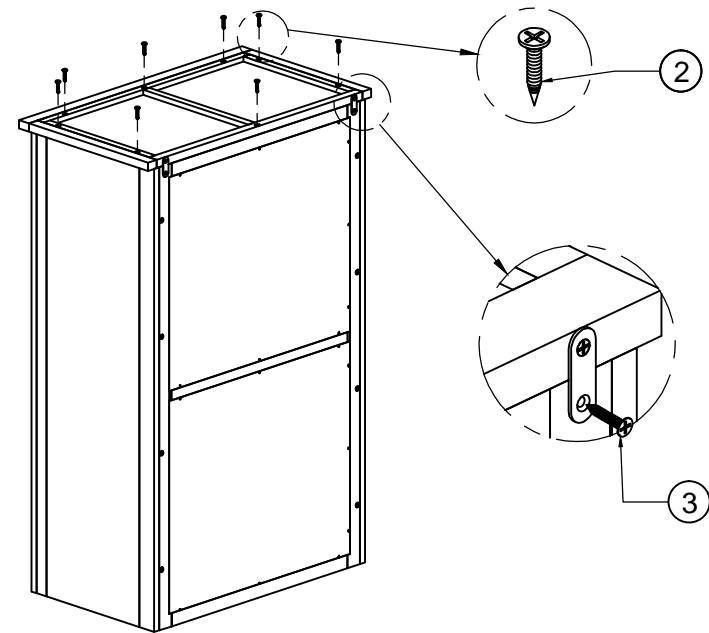
STEP 1



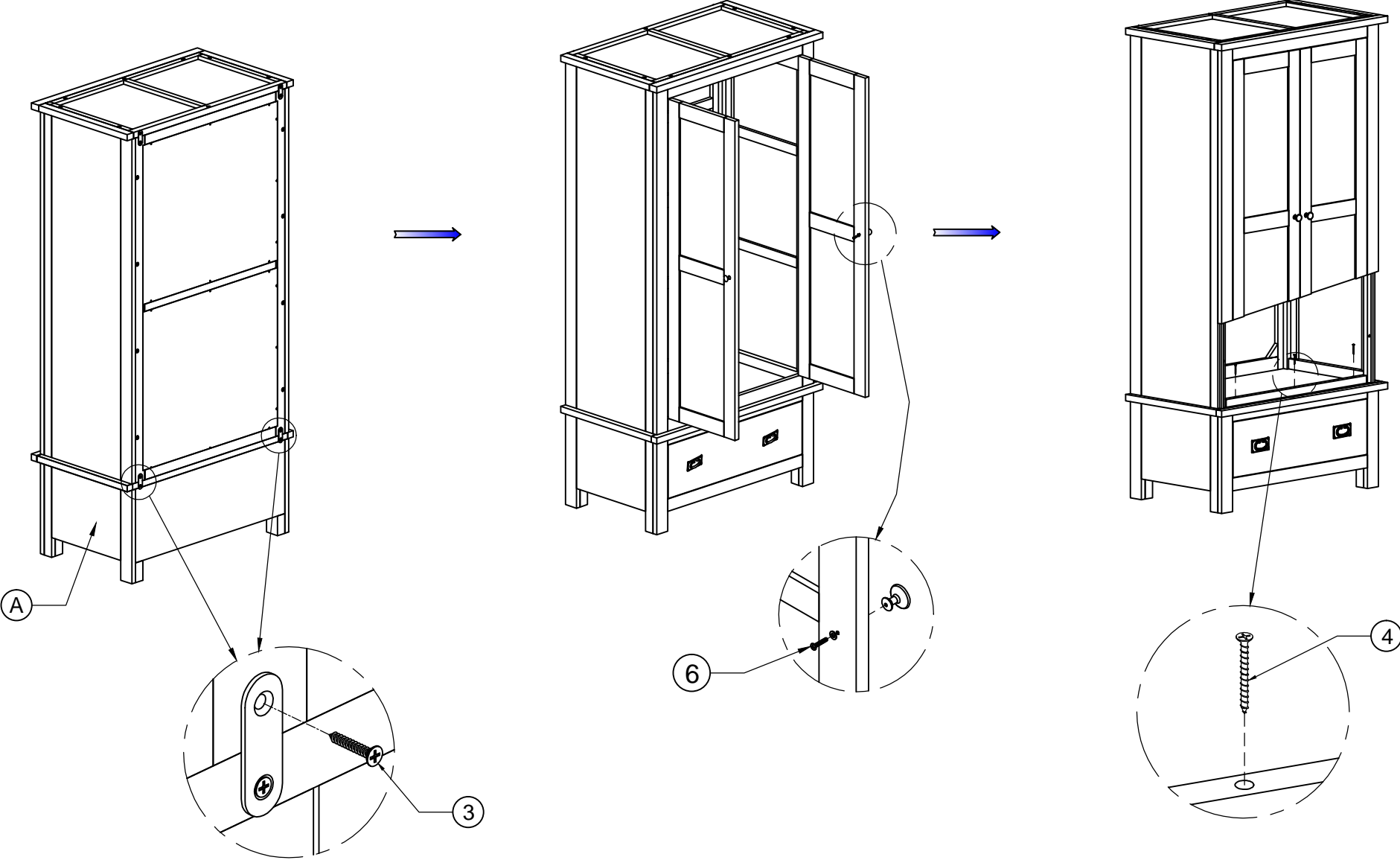
STEP 2



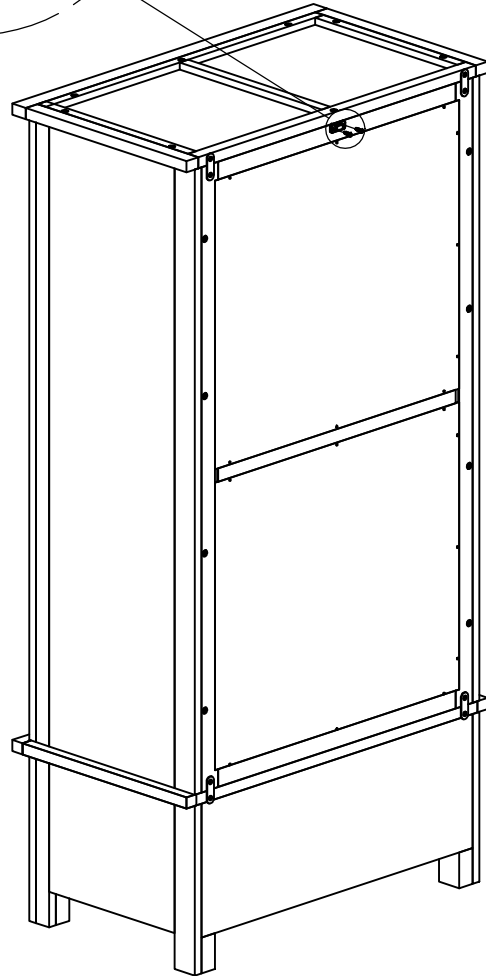
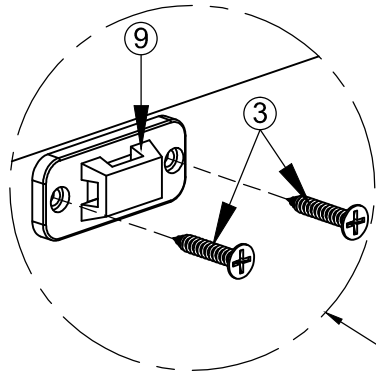
STEP 3



STEP 4



STEP 5



FINAL

