


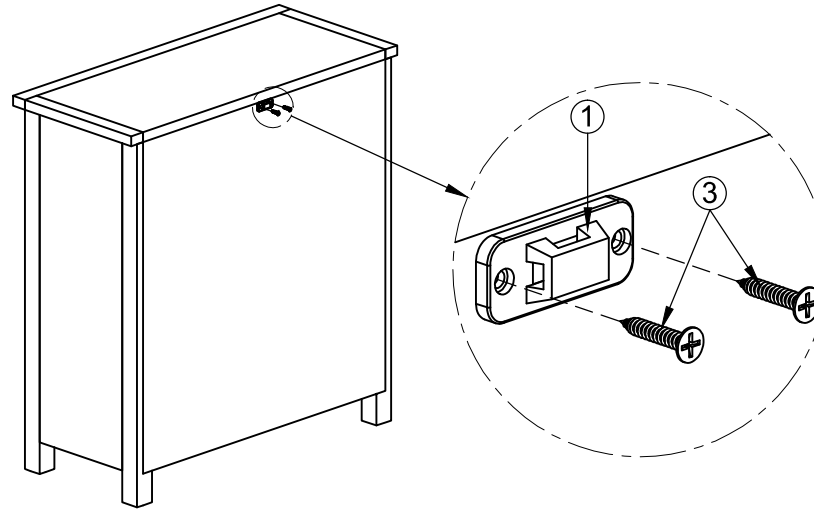
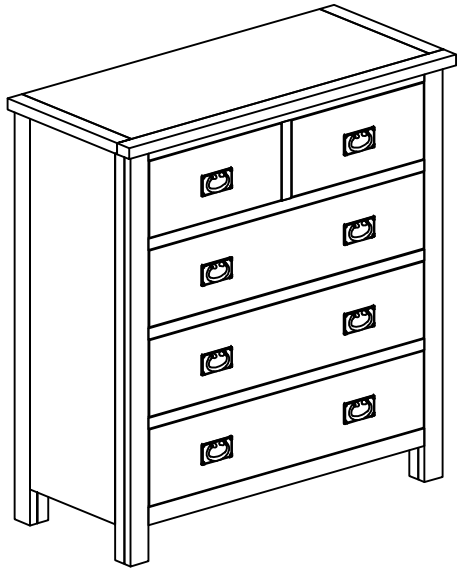


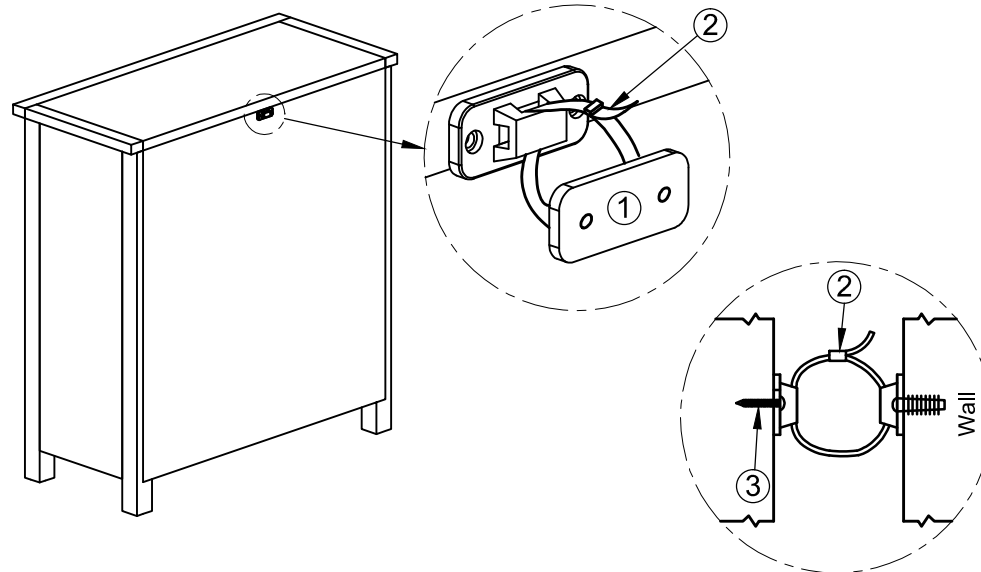
ASSEMBLY INSTRUCTION

G957 - CHEST 2 OVER 3

No	Name of Hardware	Q.ty
①	Bracket 	2
②	Tie 	1
③	Screw Ø4 x 20 	2



STEP 1



FINAL