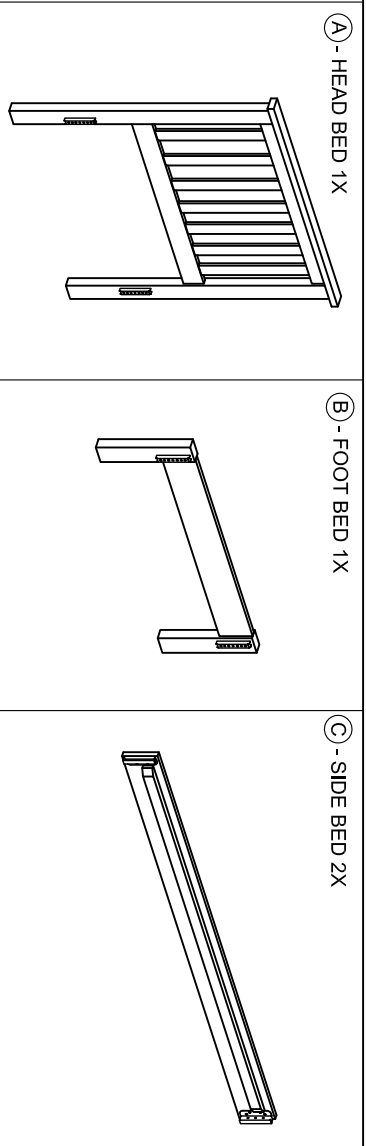


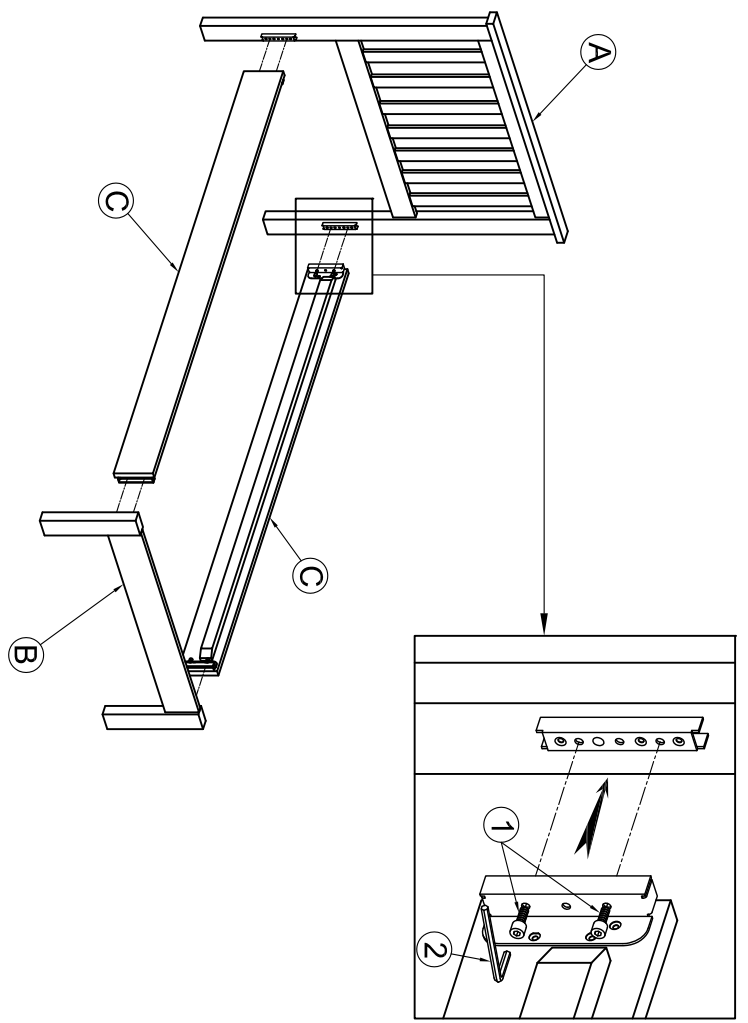
ASSEMBLY INSTRUCTION

BED 3'



No	Name of Hardware	Fig	Q.ty
①	Bolt M6X10		8
②	Allen Key(K5)		1

STEP1



STEP2

**NOTE: SLAT BEDS ARE ON A DIFFERENT PACKAGE
HARDWARE 1' ARE INCLUDED IN SLAT BED**

