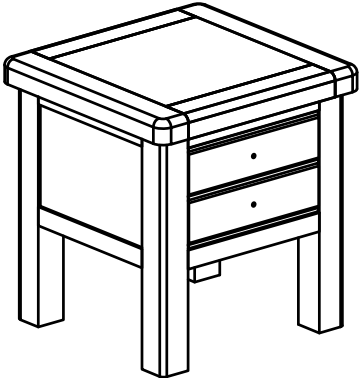
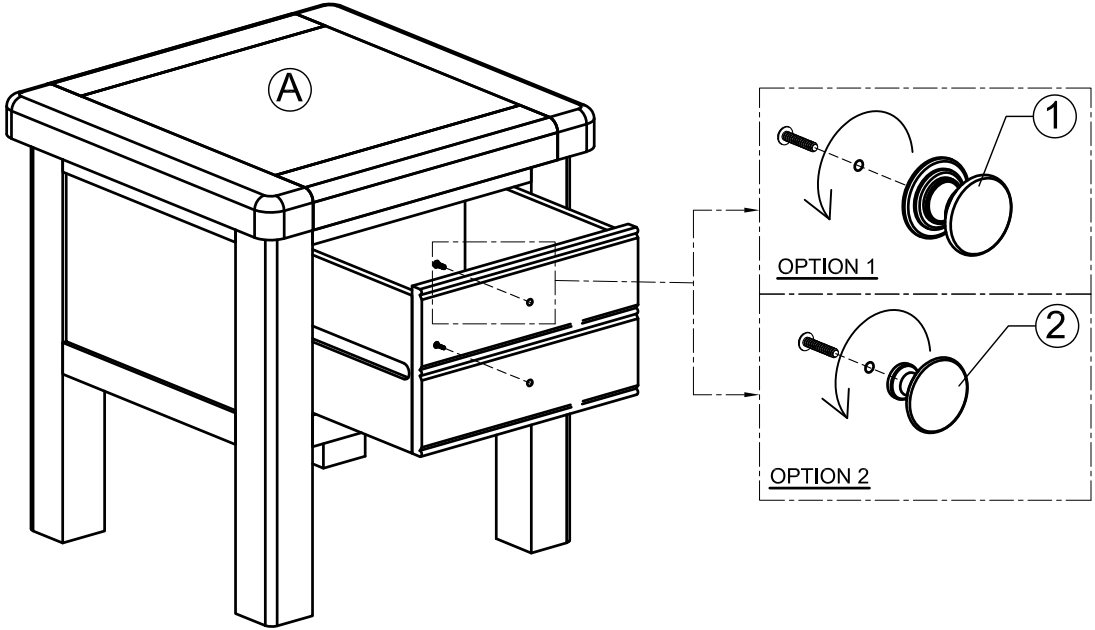




ASSEMBLY INSTRUCTION LAMP TABLE

No	PARTS NAME	Q.ty (pcs)
A		1

STEP 1



No	LIST OF HARDWARE	Q.ty (pcs)
①	Handle with bolt (Option 1) 	2 sets
②	Handle with bolt (Option 2) 	2 sets

Screwdriver (not included) 

FINAL

