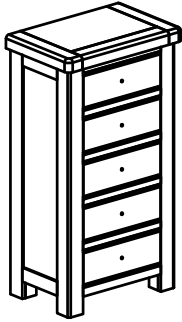
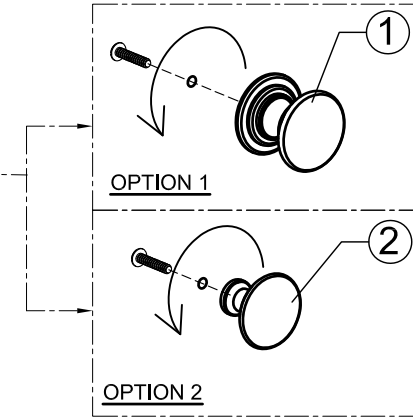
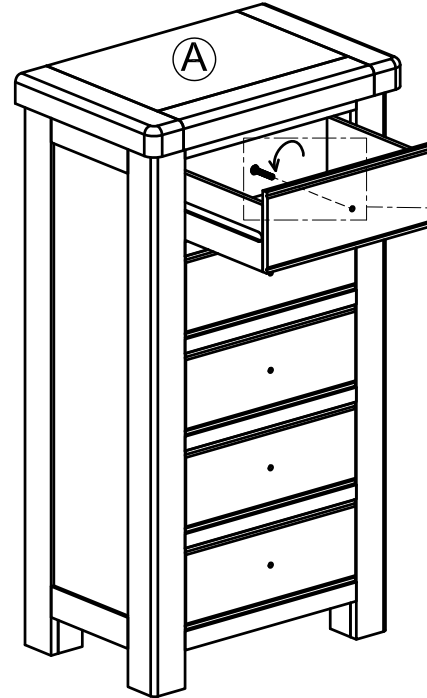





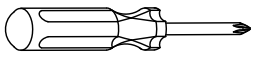


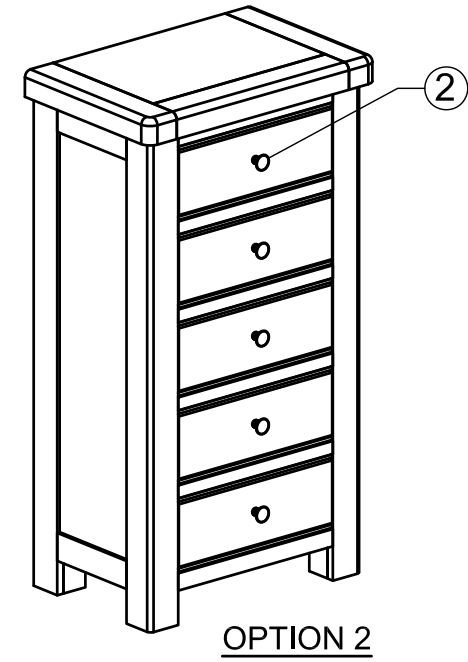
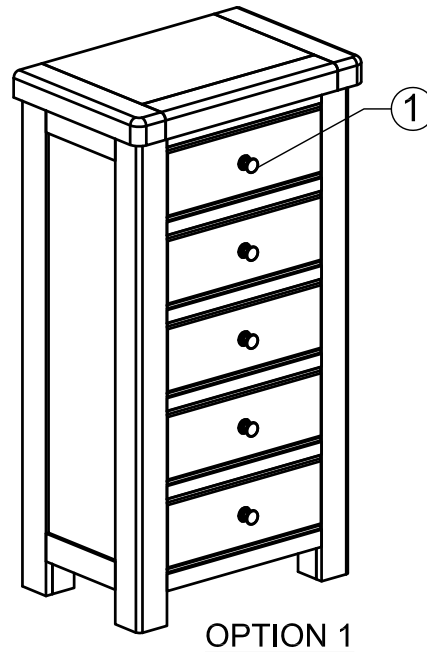
# ASSEMBLY INSTRUCTION TALL BOY

| No | PARTS NAME  | Q.ty (pcs) |
|----|---|------------|
| A  | <br>Tall boy | 1          |

## STEP 1

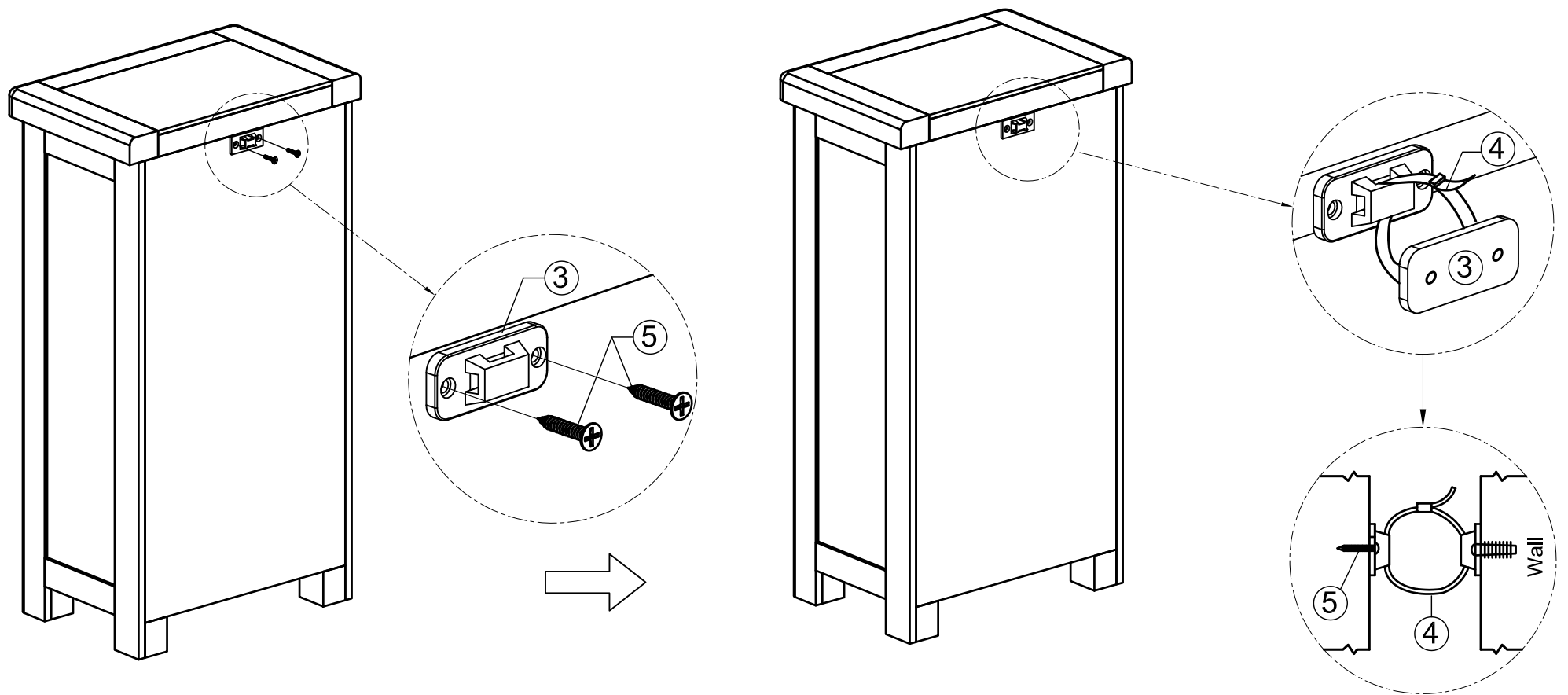


| No   | LIST OF HARDWARE  | Q.ty (pcs) |
|--|---|------------|
| ①  | Handle with bolt (Option 1)  | 5 sets     |
| ②  | Handle with bolt (Option 2)  | 5 sets     |
| ③  | Bracket                      | 2          |
| ④  | Tie                          | 1          |
| ⑤  | Screw Ø4 x 20               | 2          |
| Screwdriver (not included)  |   |            |



# ASSEMBLY INSTRUCTION TALL BOY

FINAL



## Wall fixings

This wall fixing is provided for your safety and we recommend that once in position the unit is secured to the wall for extra stability

Wall fixings may vary depending on item of furniture purchased.

Wall fittings are not provided as different wall types require different plastic plugs and screws.

Please ensure that you use fittings that are suitable for your wall type

Before drilling any holes in walls please check for hidden water and gas pipes or electrical wiring. If in doubt please seek professional help.