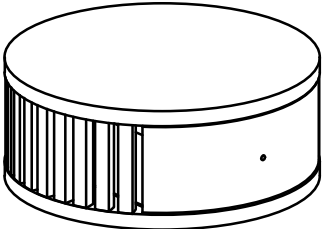
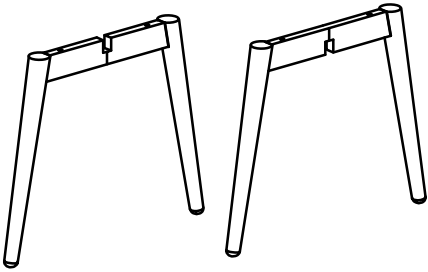
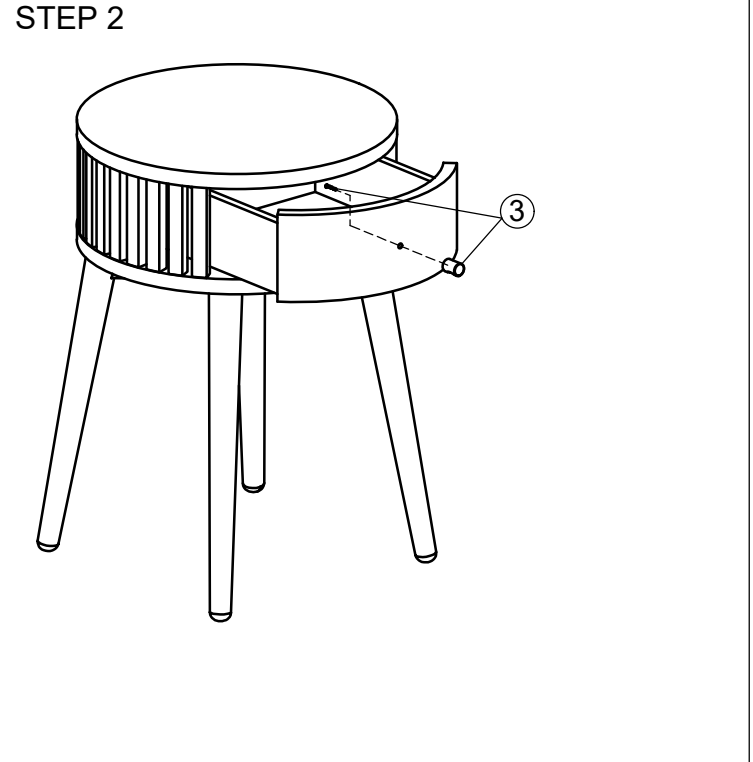
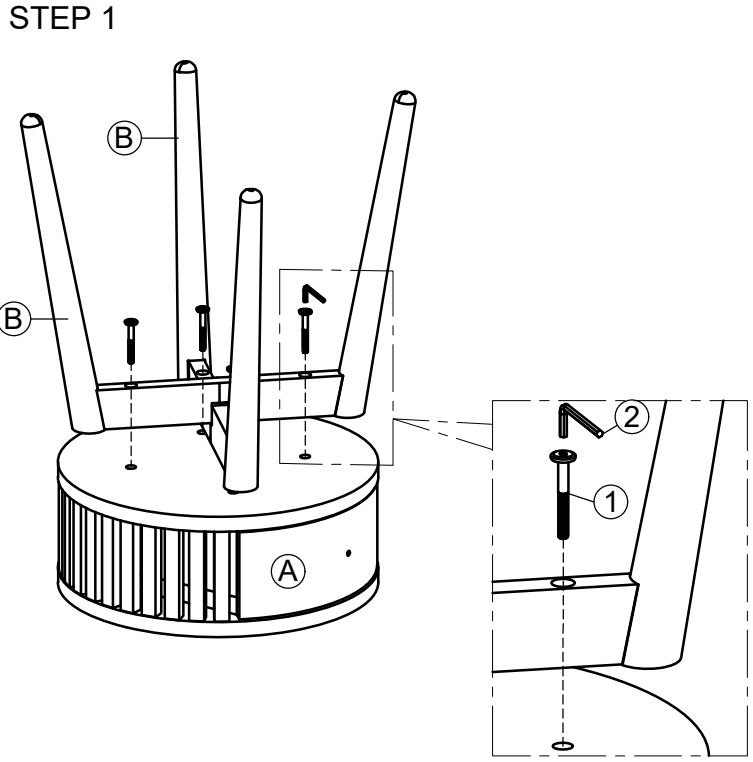


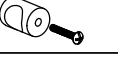


ASSEMBLY INSTRUCTION G8106 - ROUND SIDE TABLE

No	PARTS NAME	Q.ty (pcs)
Ⓐ	 Cabinet	1

Ⓑ	 Legs Frame	1 Set
---	---	-------



No	LIST OF HARDWARE	Q.ty (pcs)
①	Bolts M6x55 	4
②	Allen key K4 	1
③	Handles with bolts 	1
Screwdriver (not included) 