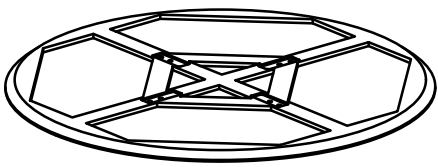
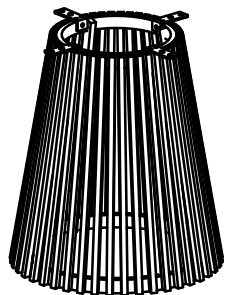


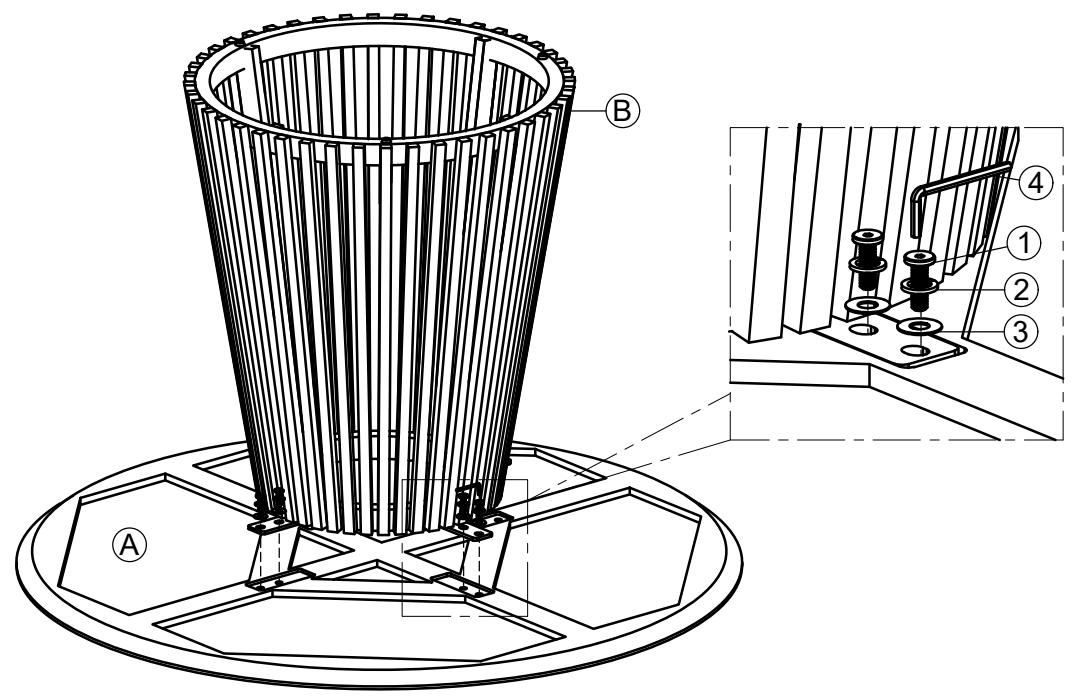
ASSEMBLY INSTRUCTION





G8072 - ROUND DINING TABLE

No	PARTS NAME	Q.ty (pcs)
A		1
	Table Top	

B		1
	Legs Frame	

STEP 1



No	LIST OF HARDWARE	Q.ty (pcs)
①	Bolts M8x20 	8
②	Spring Washers 	8
③	Flat Washers 	8
④	Allen key K4 	1
⑤		

FINAL

