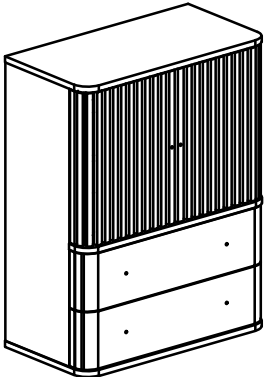
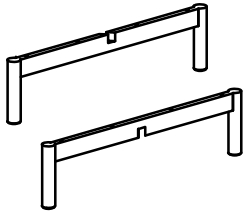
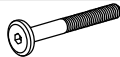

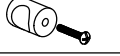





ASSEMBLY INSTRUCTION

G8069 - SHOE CABINET

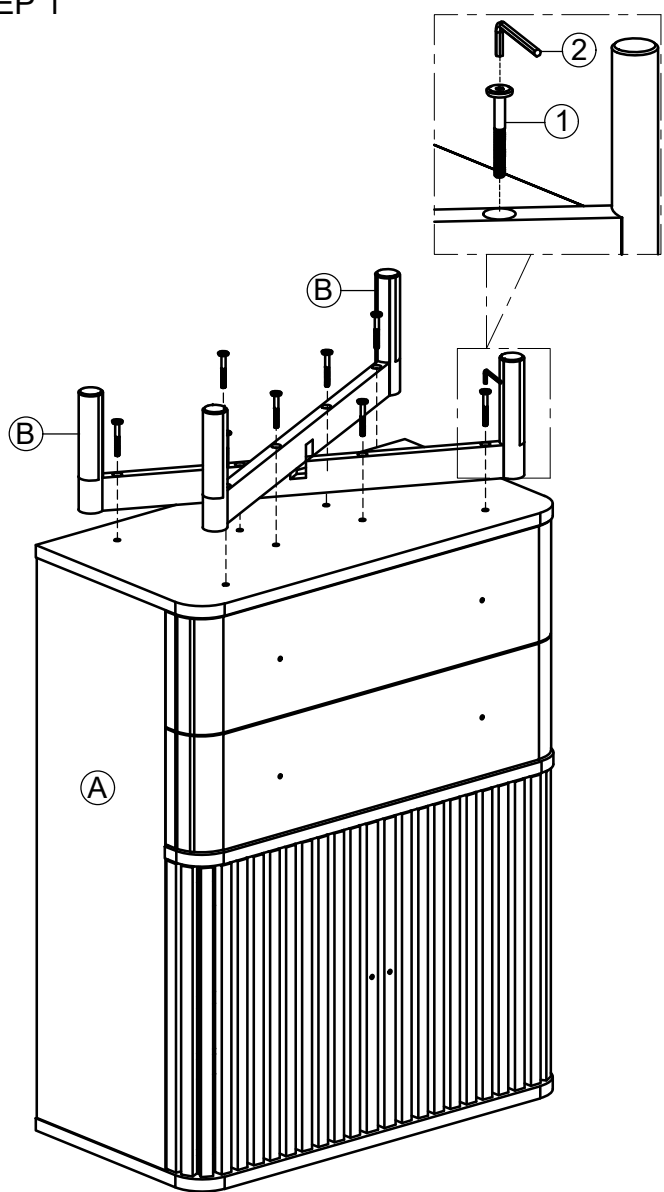
No	PARTS NAME	Q.ty (pcs)
A	 Cabinet	1

B	 Legs Frame	1 Set
---	---	-------

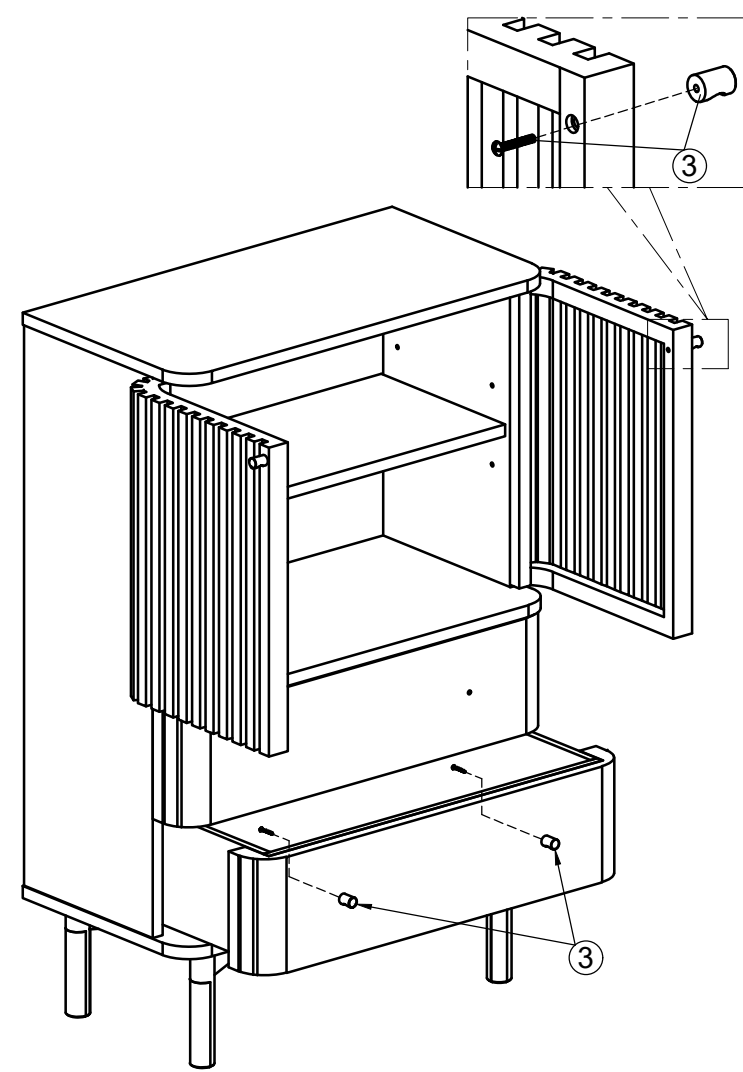
No	LIST OF HARDWARE	Q.ty (pcs)
1	Bolts M6x55 	8
2	Allen key K4 	1
3	Handles with bolts 	6
4	Plastic bracket 	2
5	Tie 	1
6	Screw Ø4x20 	2

Screwdriver (not included) 

STEP 1



STEP 2



ASSEMBLY INSTRUCTION
G8069 - SHOE CABINET

STEP 3

FINAL

