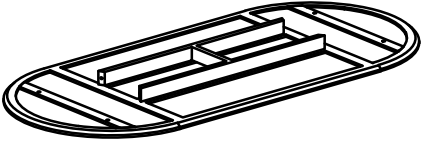
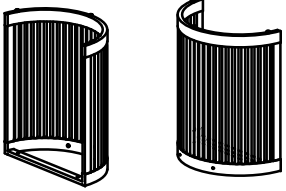


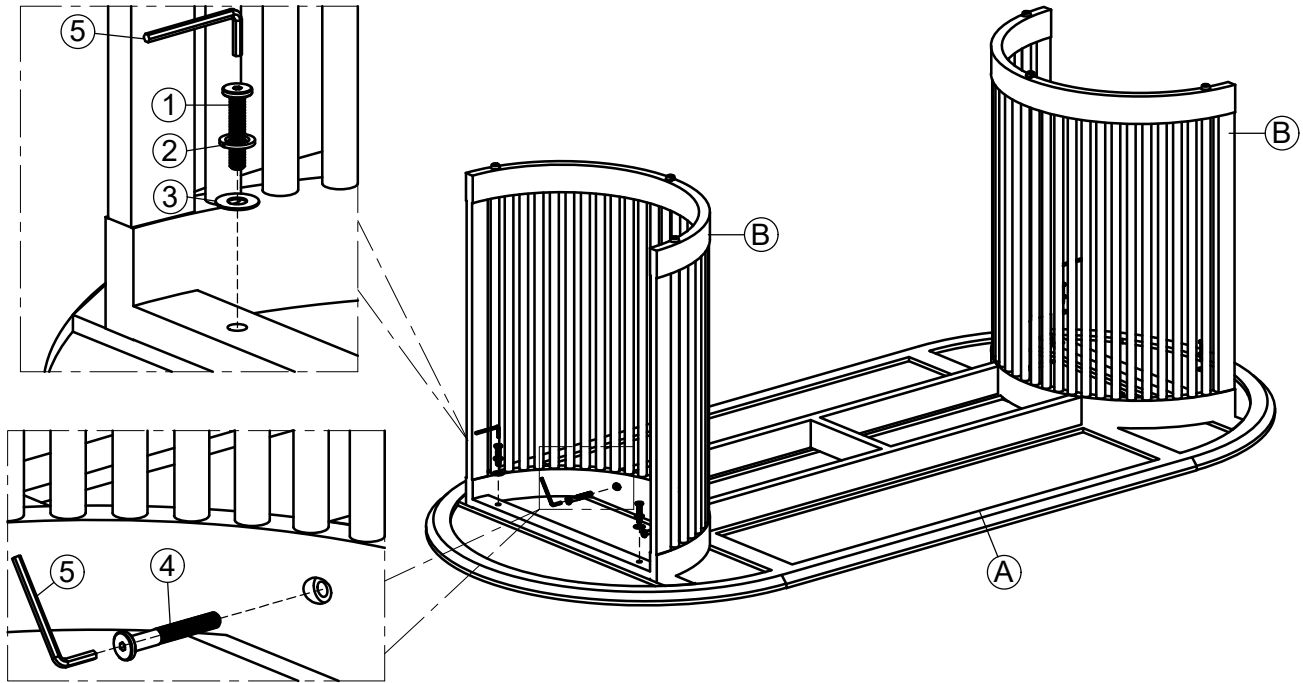
# ASSEMBLY INSTRUCTION






## G7743 - OVAL DINING TABLE 2000

No	PARTS NAME	Q.ty (pcs)
A	 Table Top	

B	 Legs Frame	2 Pcs
---	---	-------

### STEP 1



No	LIST OF HARDWARE	Q.ty (pcs)
①	Bolts M8x40 	4
②	Spring Washers 	4
③	Flat Washers 	4
④	Bolts M8x50 	4
⑤	Allen key K4 	1

### FINAL

