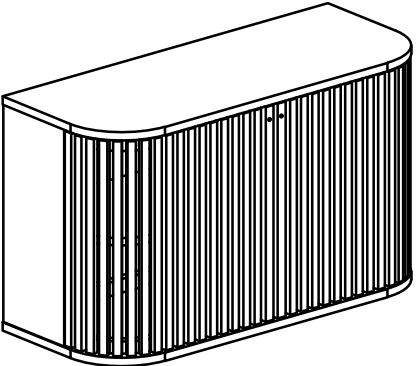
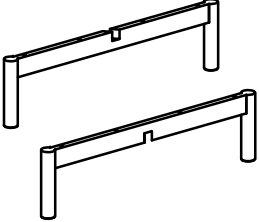
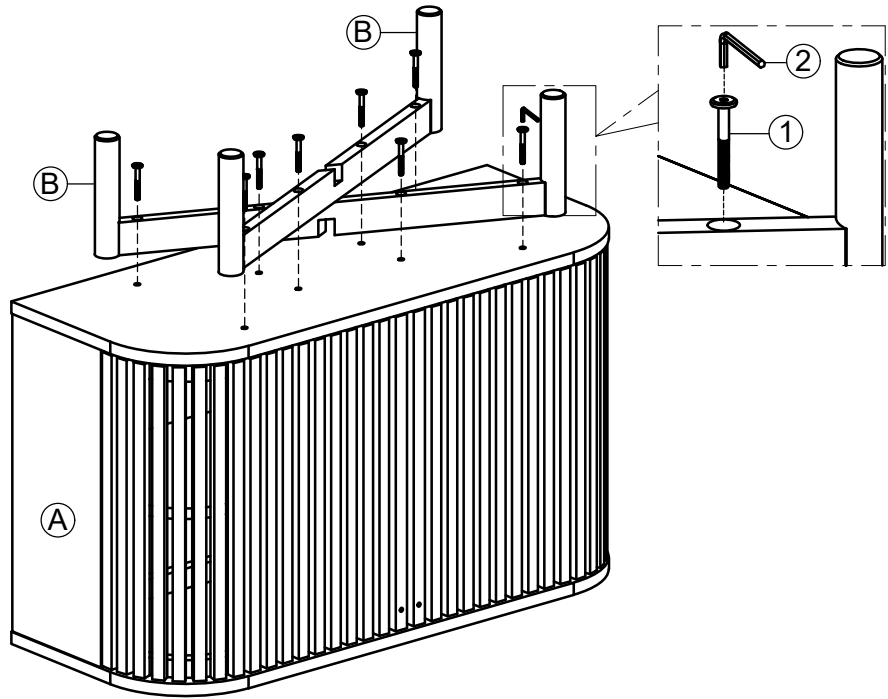








# ASSEMBLY INSTRUCTION G7742 - SMALL SIDEBOARD

| No | PARTS NAME   | Q.ty (pcs) |
|----|--|------------|
| A  | <br>Cabinet | 1          |

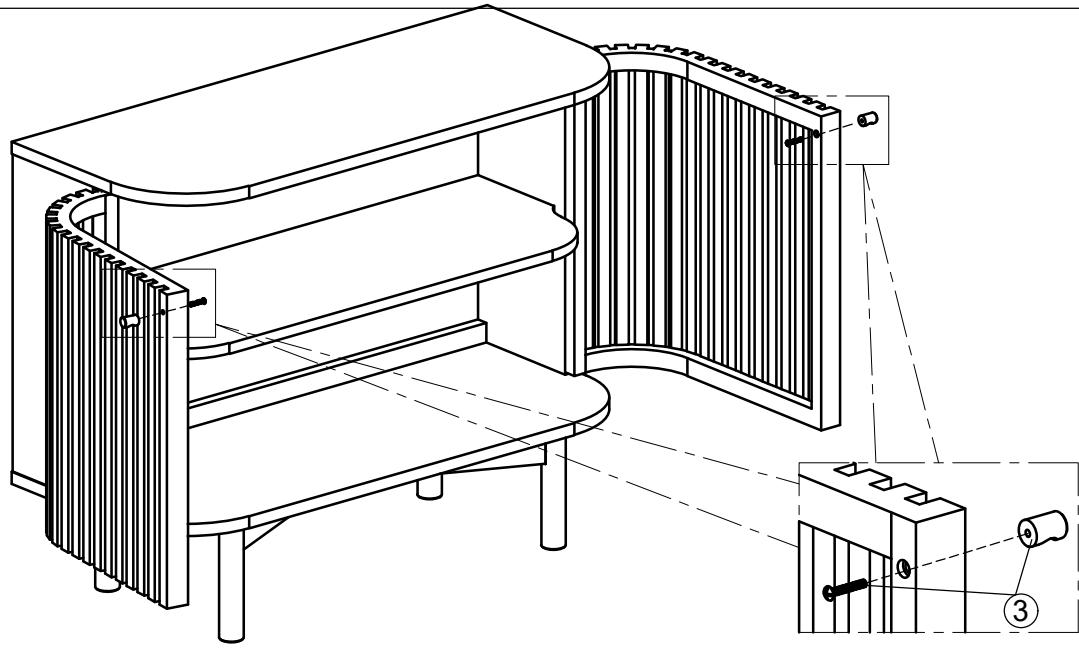
|   |   |       |
|---|---|-------|
| B | <br>Legs Frame | 1 Set |
|---|---|-------|

**STEP 1**



| No | LIST OF HARDWARE   | Q.ty (pcs) |
|----|--|------------|
| 1  | Bolts M6x55          | 8          |
| 2  | Allen key K4        | 1          |
| 3  | Handles with bolts  | 2          |
| 4  | Plastic bracket     | 2          |
| 5  | Tie                 | 1          |
| 6  | Screw Ø4x20         | 2          |

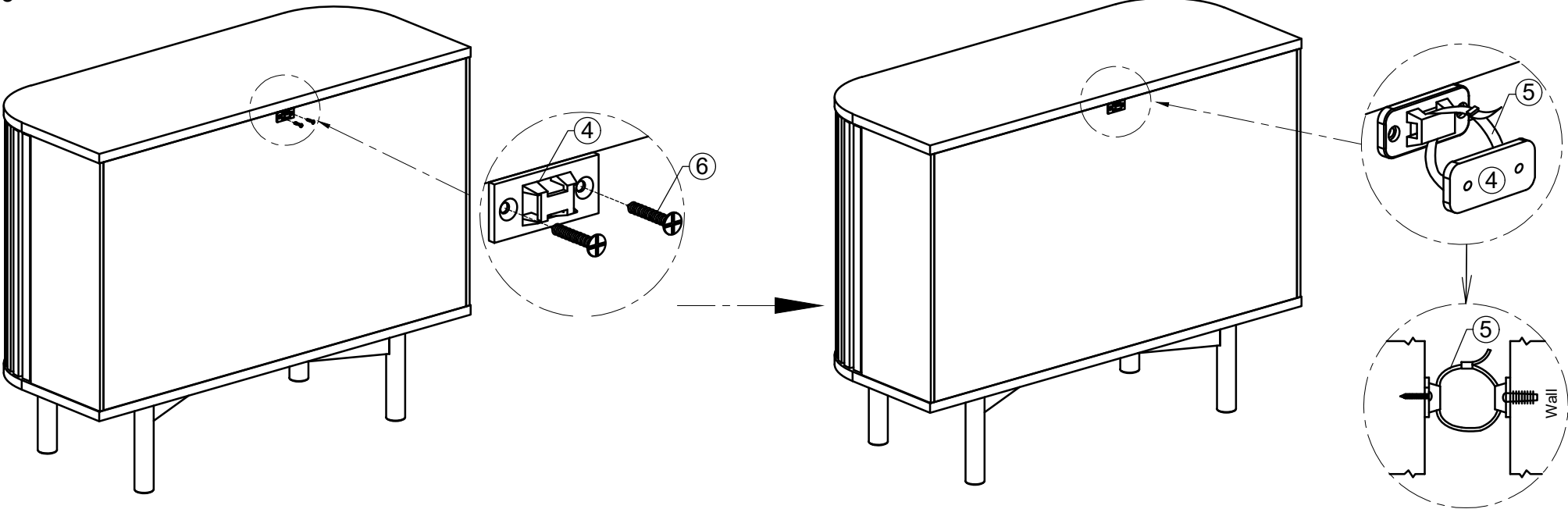
**STEP 2**



Screwdriver (not included) 

ASSEMBLY INSTRUCTION  
G7742 - SMALL SIDEBOARD

STEP 3



FINAL

