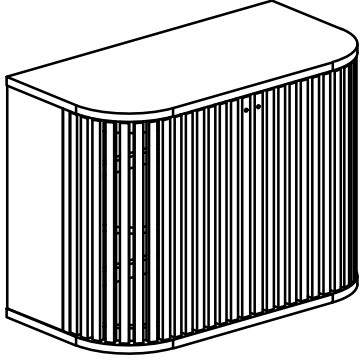
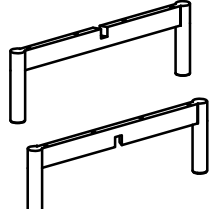


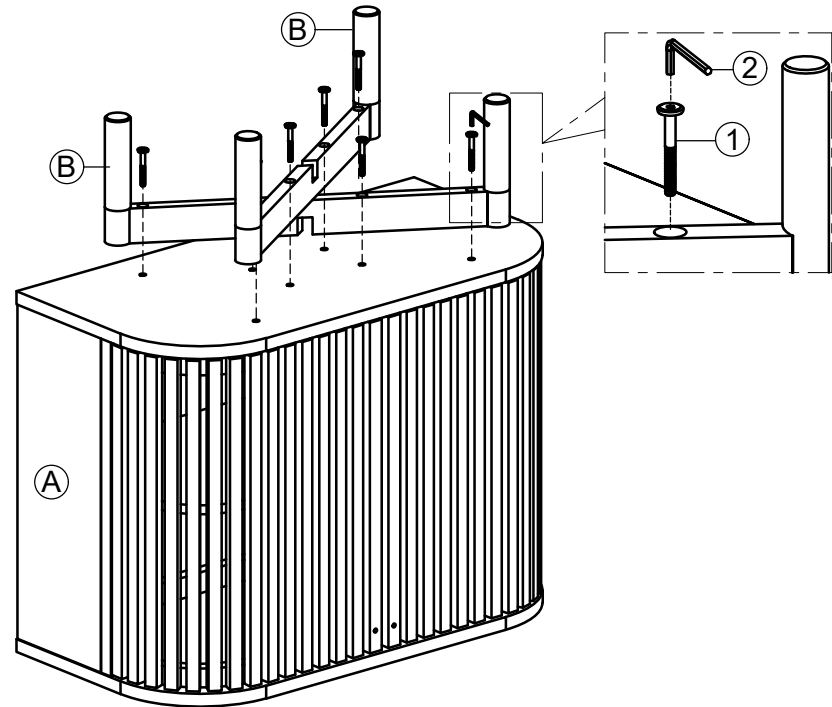
ASSEMBLY INSTRUCTION







G7740 - CUPBOARD

No	PARTS NAME	Q.ty (pcs)
(A)	 Cabinet	1

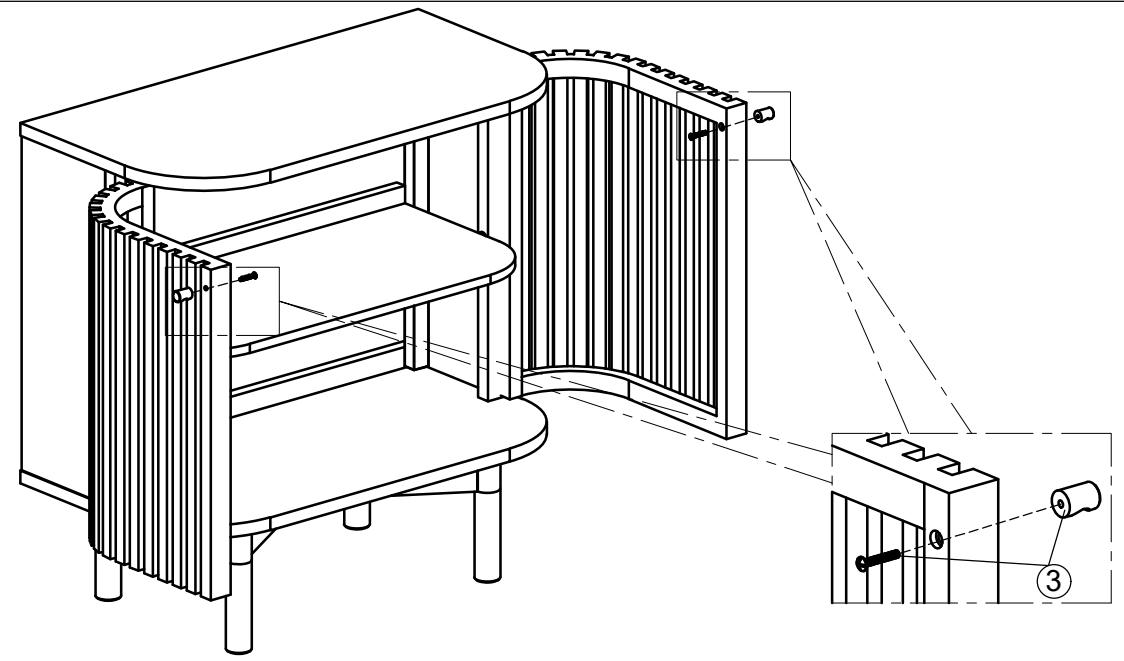
(B)	 Legs Frame	1 Set
-----	---	-------

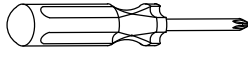
STEP 1



No	LIST OF HARDWARE	Q.ty (pcs)
(1)	Bolts M6x55 	8
(2)	Allen key K4 	1
(3)	Handles with bolts 	2
(4)	Plastic bracket 	2
(5)	Tie 	1
(6)	Screw Ø4x20 	2

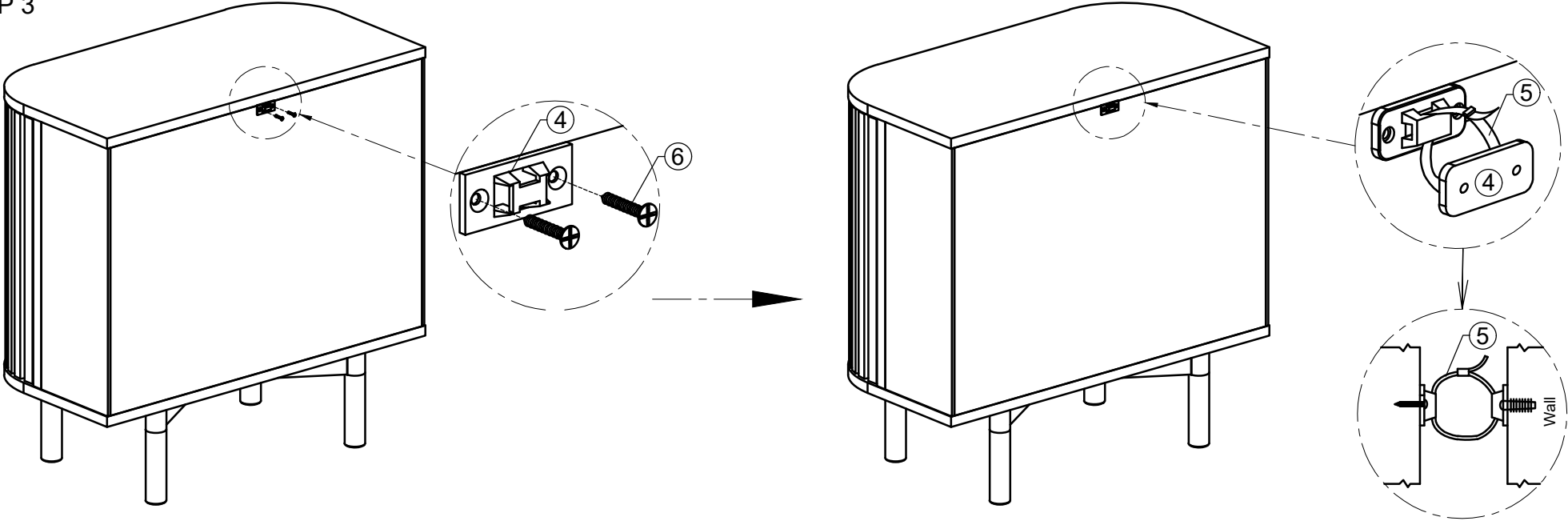
STEP 2



Screwdriver (not included) 
--

ASSEMBLY INSTRUCTION
G7740 - CUPBOARD

STEP 3



FINAL

