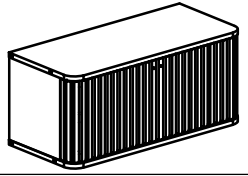
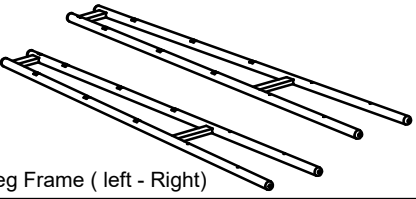




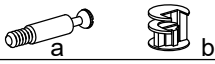







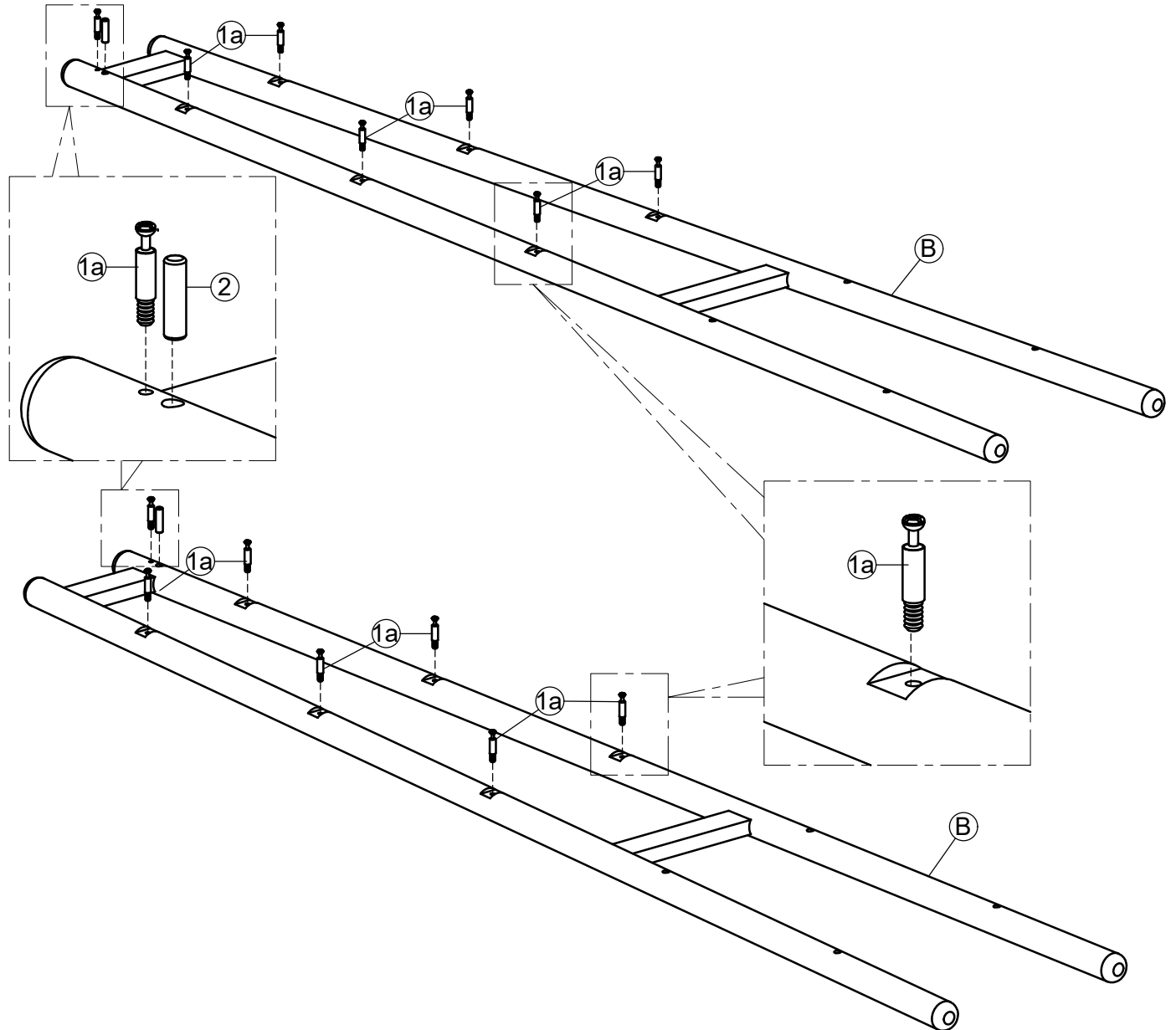


ASSEMBLY INSTRUCTION

G7736 - BOOKCASE

No	PARTS NAME	Q.ty (pcs)
(A)	 Cabinet	1
(B)	 Leg Frame (left - Right)	1 Set
(C)	 Top Rail	1
(D)	 Top Shelf	1
(E)	 Middle shelf	1
(F)	 Bottom Shelf	1
No	LIST OF HARDWARE	Q.ty (pcs)
(1)	 Minifix (cams lock)	14
(2)	 Wooden dowels	2
(3)	 Bolts M6x55	8
(4)	 Handles with bolts	2
(5)	 Plastic bracket	2
(6)	 Tie	1
(7)	 Screw Ø4x20	2
(8)	 Allen key K4	1
Screwdriver (not included)		

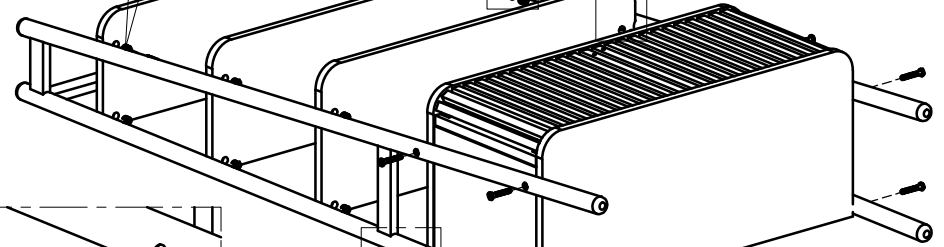
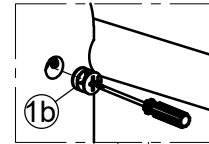
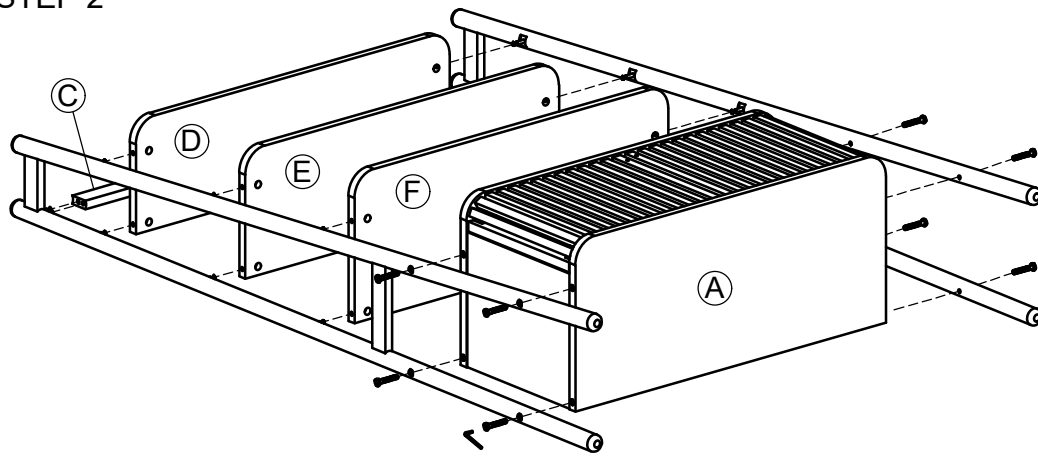
STEP 1



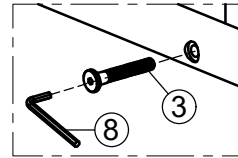
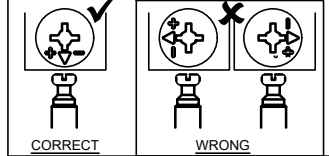
ASSEMBLY INSTRUCTION

G7736 - BOOKCASE

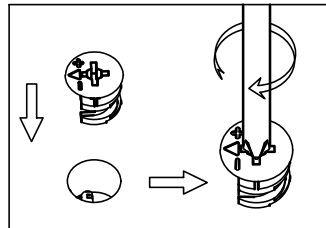
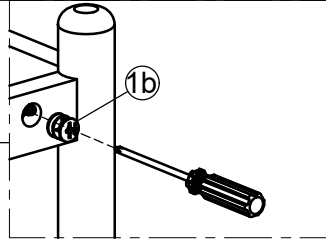
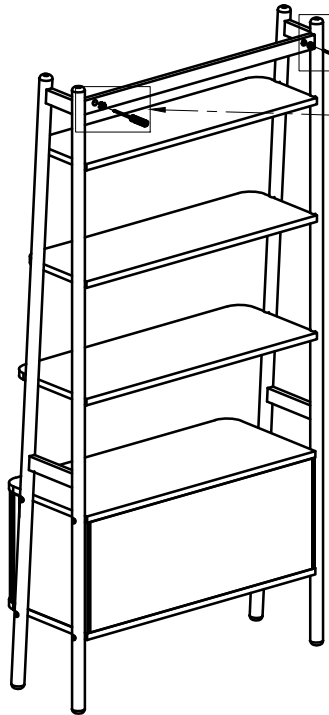
STEP 2



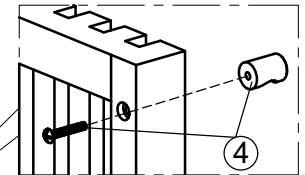
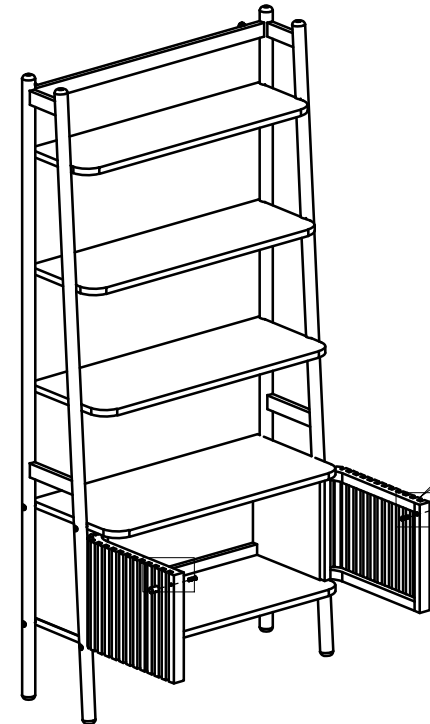
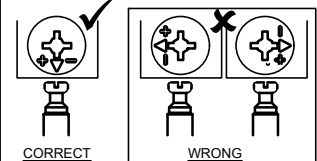
WHEN FITTING CAMS
ENSURE STARTING POSITION IS CORRECT
BEFORE YOU INSERT CONNECTING CAM-BOLT
TURN CLOCKWISE UNTIL SECURE



STEP 3

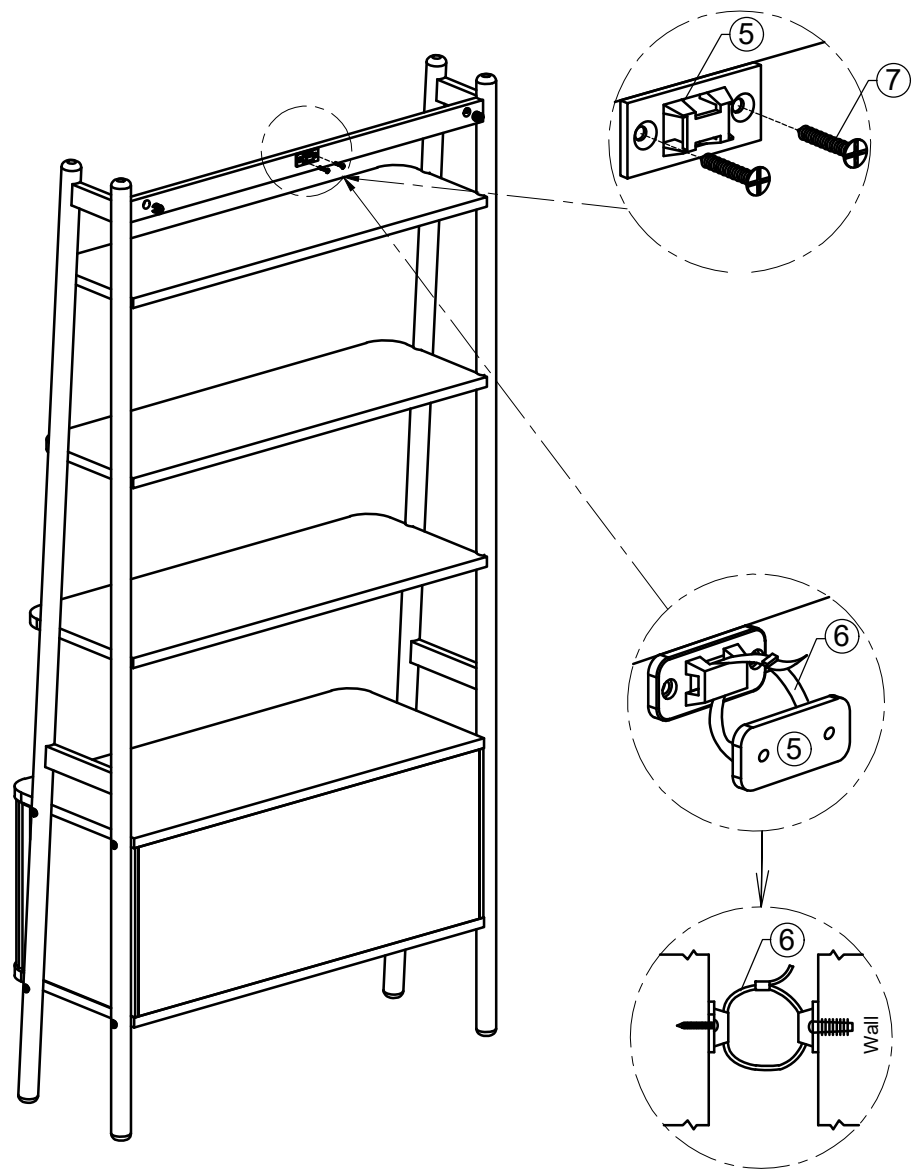


WHEN FITTING CAMS
ENSURE STARTING POSITION IS CORRECT
BEFORE YOU INSERT CONNECTING CAM-BOLT
TURN CLOCKWISE UNTIL SECURE



ASSEMBLY INSTRUCTION G7736 - BOOKCASE

STEP 4



FINAL

