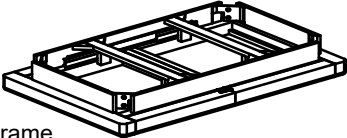
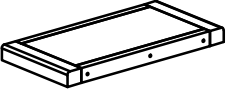
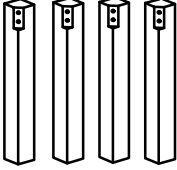
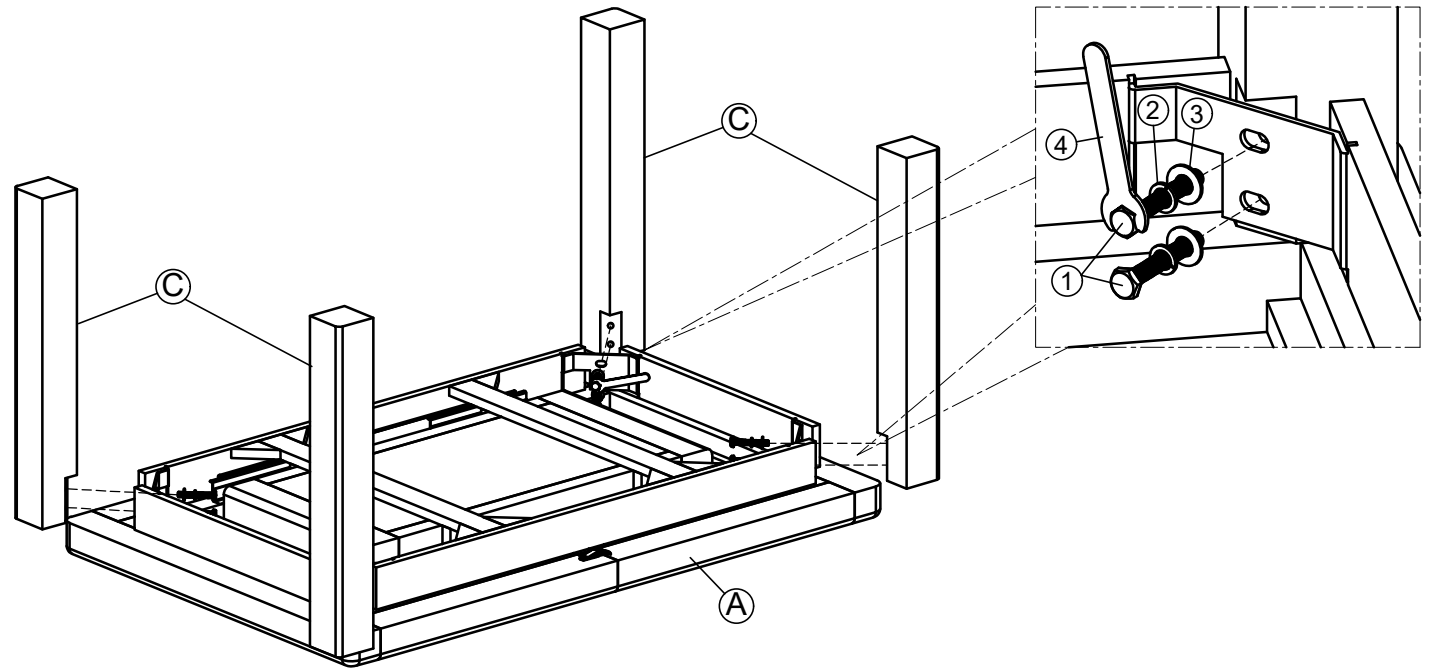






ASSEMBLY INSTRUCTION

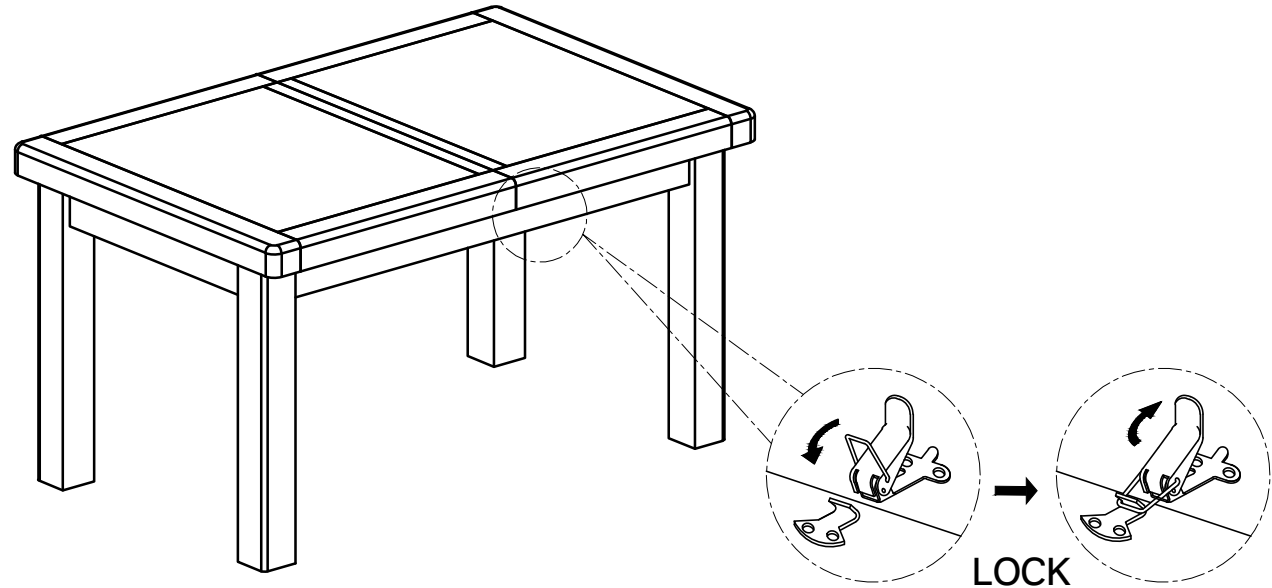
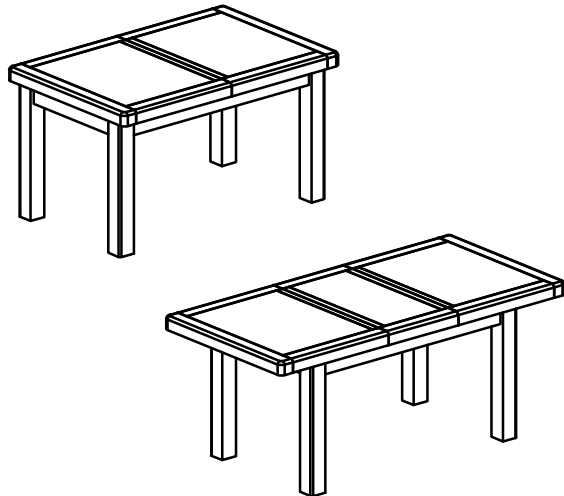
G7583 - SMALL EXT DINING TABLE

No	PARTS NAME	Q.ty (pcs)
(A)	 Top Frame	1
(B)	 Leaf	1
(C)	 Legs	4

STEP 1



No	LIST OF HARDWARE	Q.ty (pcs)
(1)	Bolts M10x60 	8
(2)	Spring Washers 	8
(3)	Flat Washers 	8
(4)	Wrench 	1

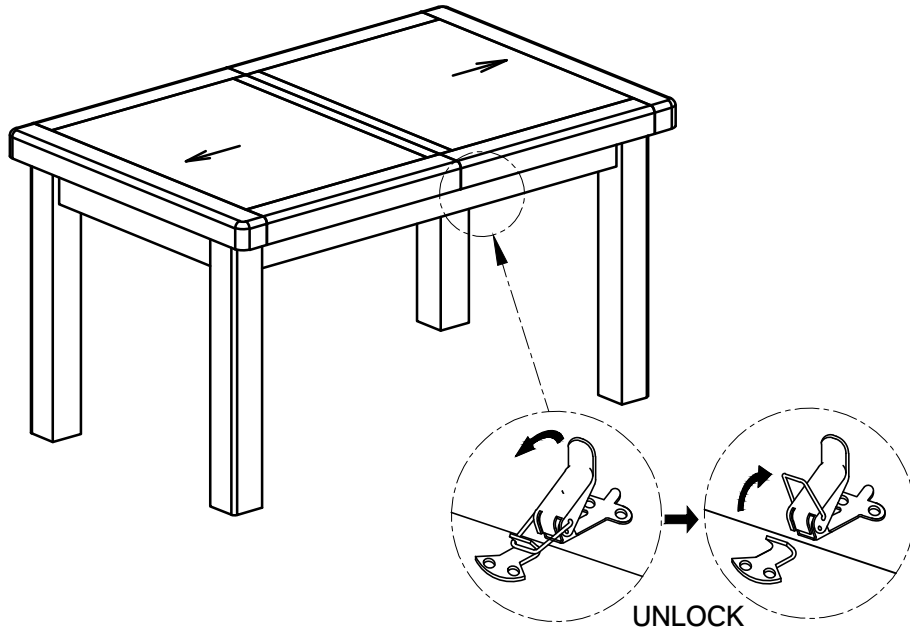


ASSEMBLY INSTRUCTION

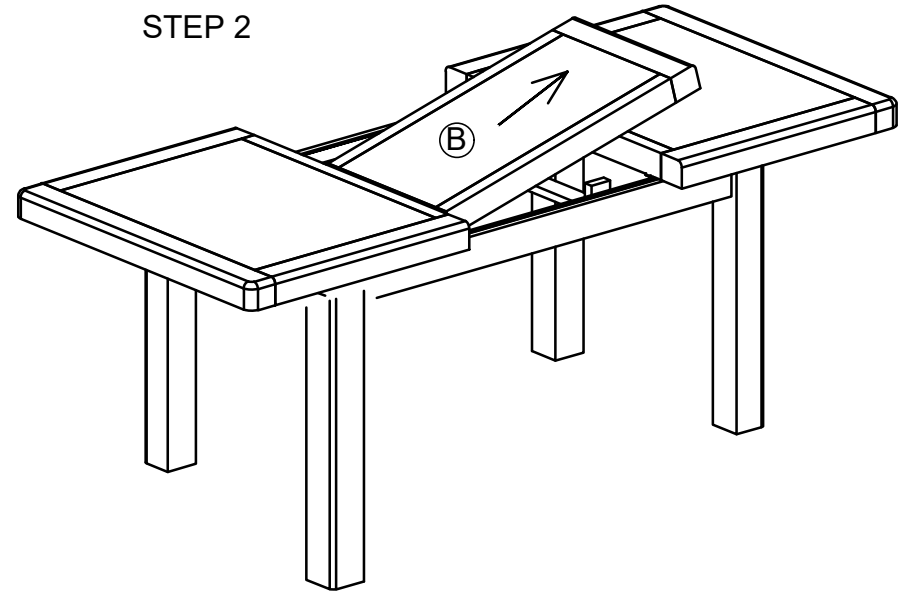
G7583 - SMALL EXT DINING TABLE

EXTEND THE TABLE: When opening or closing the table :
Please pull/push with both hands using equal strength, while standing at the head of the table

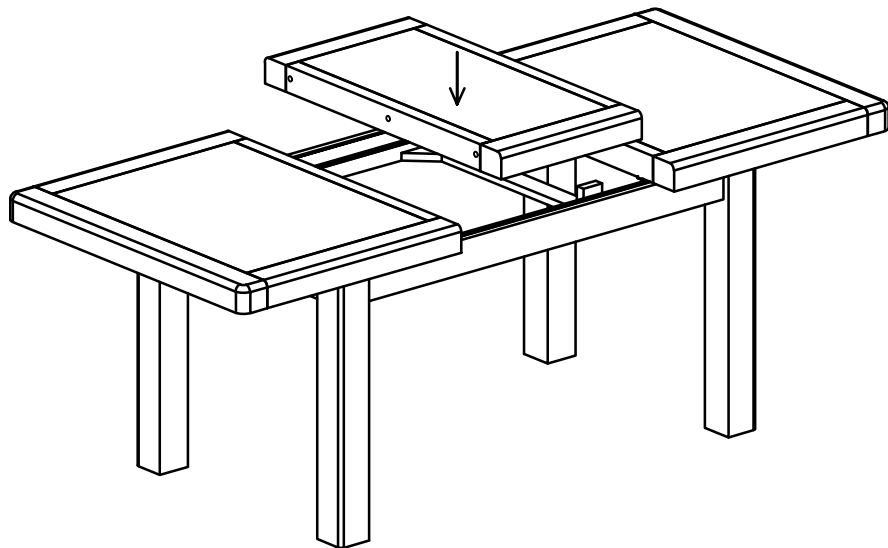
STEP 1



STEP 2



STEP 3



FINAL

