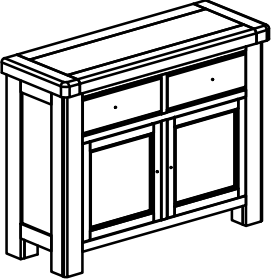
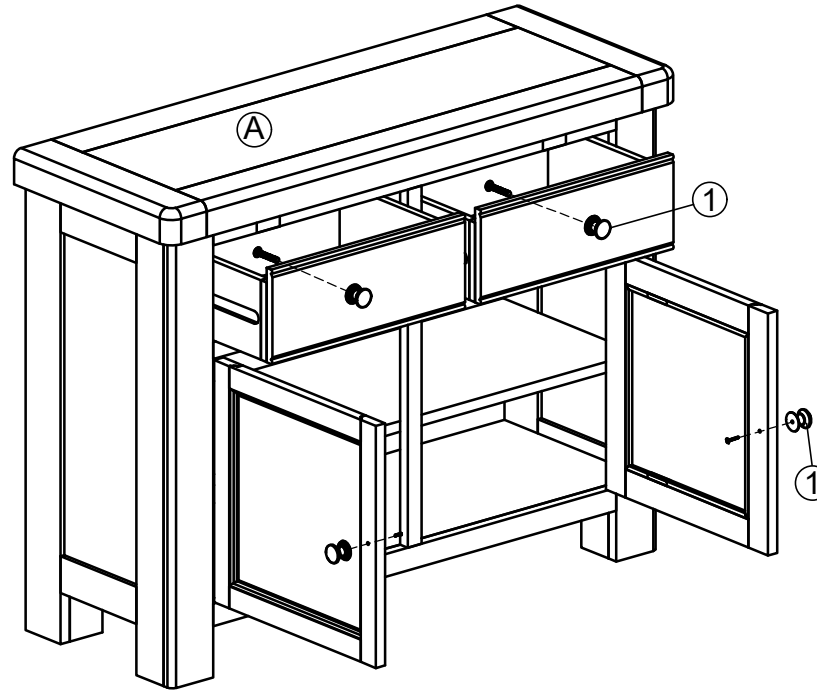






ASSEMBLY INSTRUCTION

G7581 - SMALL SIDEBOARD

No	PARTS NAME	Q.ty (pcs)
A		1
	Small Sideboard	

STEP 1



No	LIST OF HARDWARE	Q.ty (pcs)
1	Handles with Bolts 	4
2	Bracket 	2
3	Tie 	1
4	Screw Ø4 x 20 	2

FINAL

Screwdriver (not included) 

