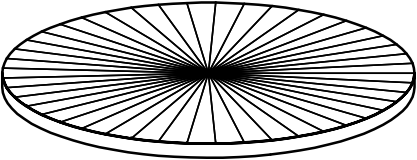
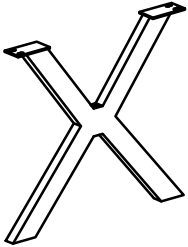
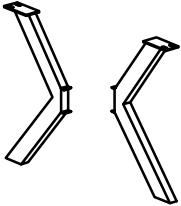



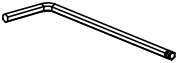
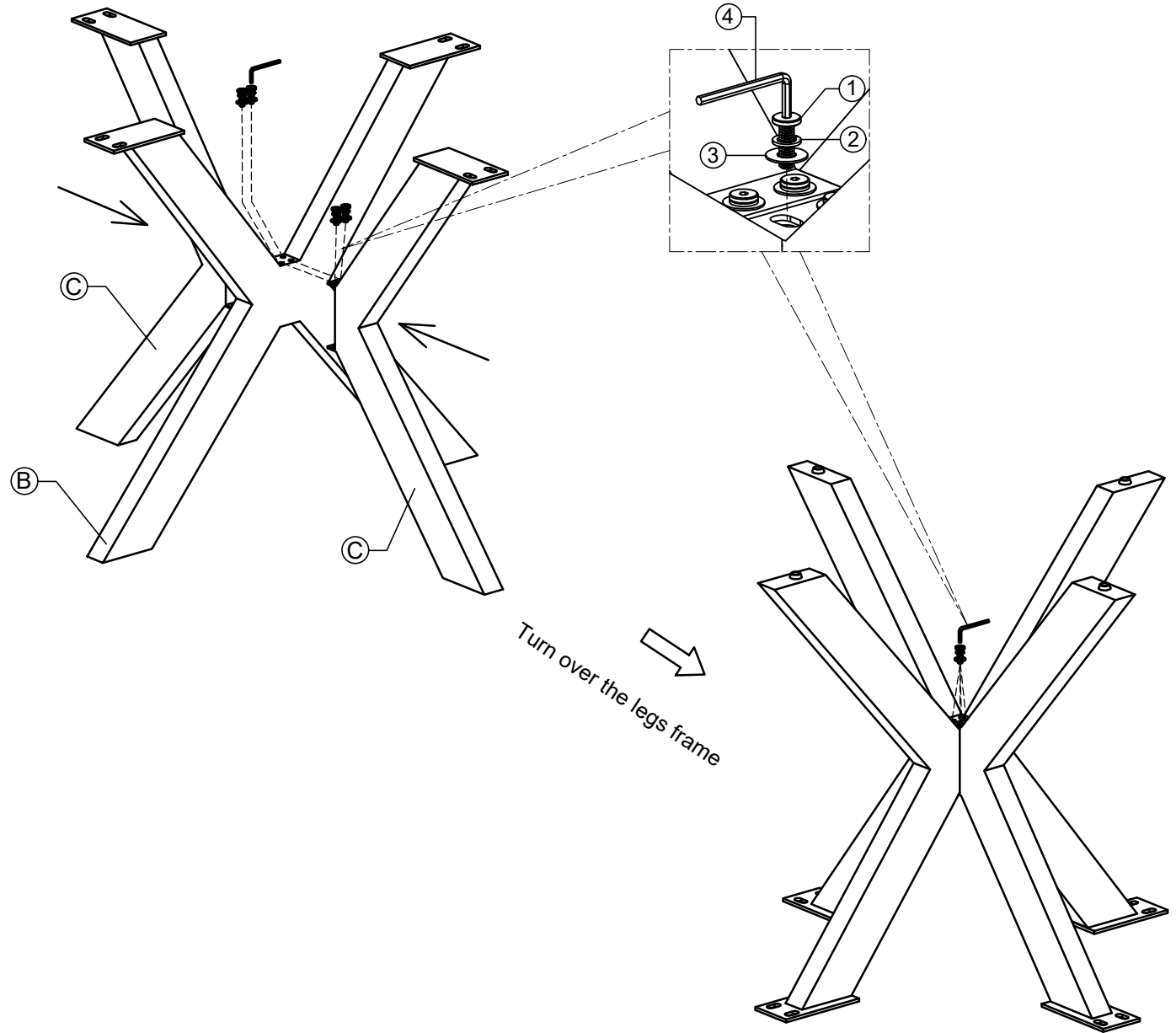


# ASSEMBLY INSTRUCTION

## G7574 - ROUND DINING TABLE 1100

No	PARTS NAME	Q.ty (pcs)
A	 Top Frame	1
B	 Leg	1
C	 Small Legs	2
No	LIST OF HARDWARE	Q.ty (pcs)
①	Bolts M8x25 	16
②	Spring Washers M8 	16
③	Flat Washers M8 	16
④	Allen key K4 	1

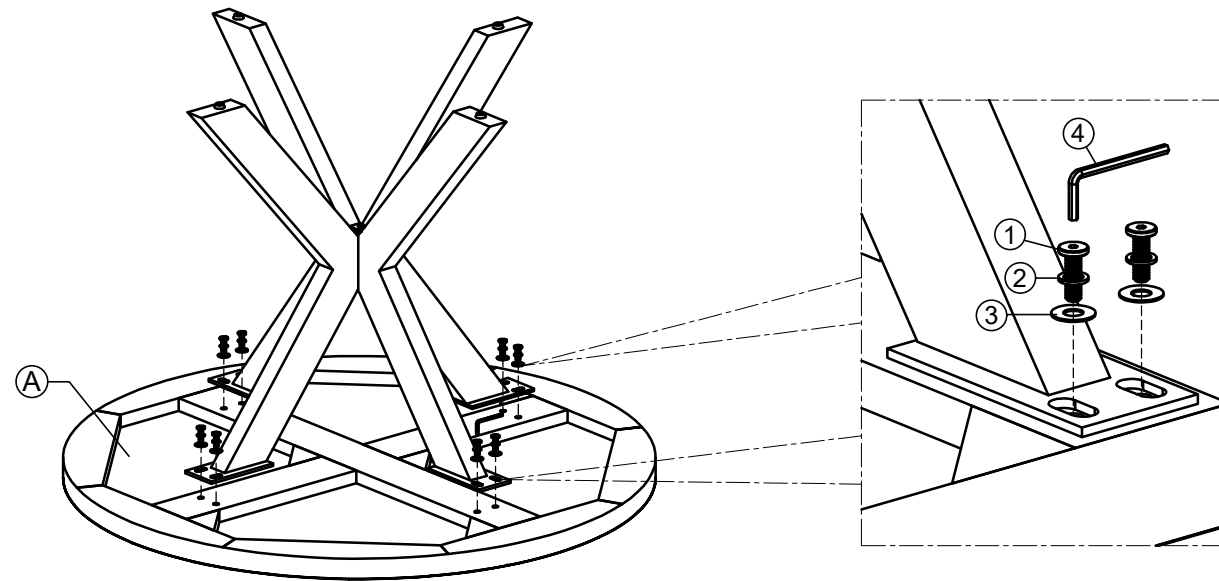
### STEP 1



# ASSEMBLY INSTRUCTION

## G7574 - ROUND DINING TABLE 1100

### STEP 2



### FINAL

