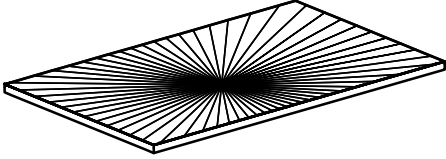
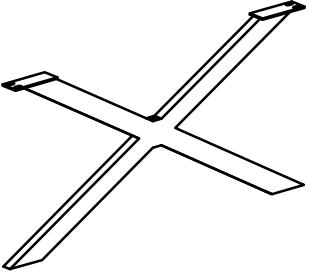
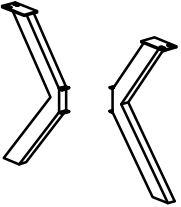




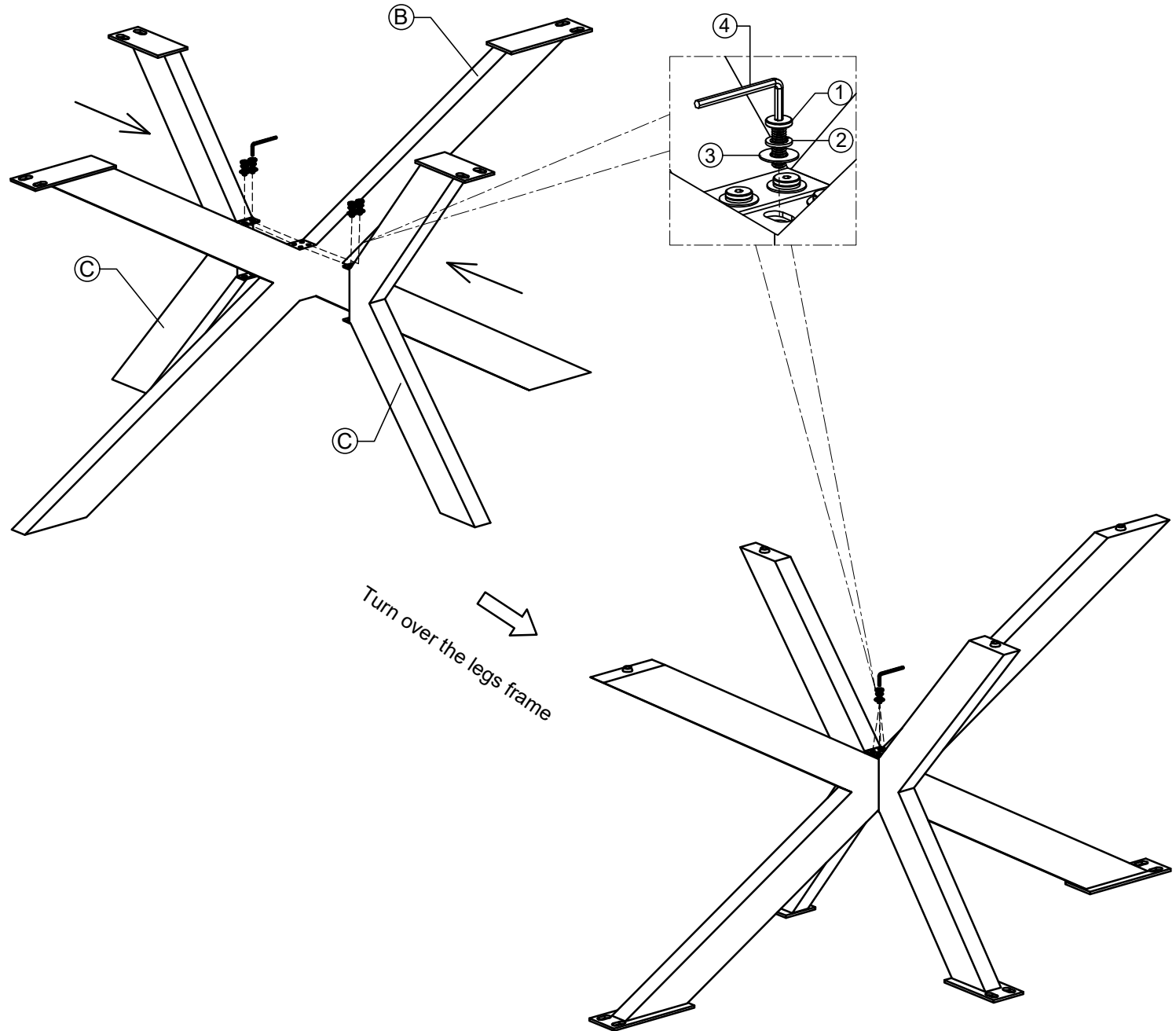


# ASSEMBLY INSTRUCTION RECTANGULAR DINING TABLE

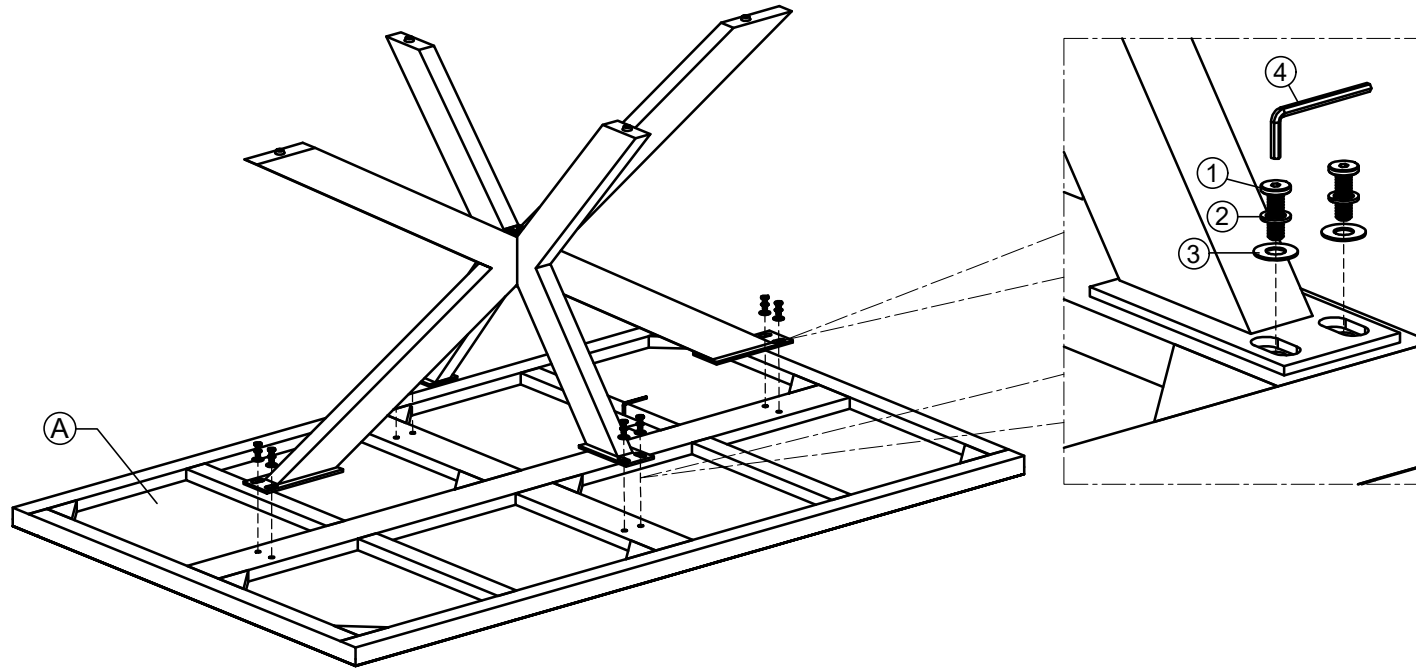
No	PARTS NAME	Q.ty (pcs)
(A)	 Top Frame	1
(B)	 Leg	1
(C)	 Small Legs	2
No	LIST OF HARDWARE	Q.ty (pcs)
①	Bolts M8x25 	16
②	Spring Washers M8 	16
③	Flat Washers M8 	16
④	Allen key K4 	1

## STEP 1



# ASSEMBLY INSTRUCTION RECTANGULAR DINING TABLE

STEP 2



FINAL

