





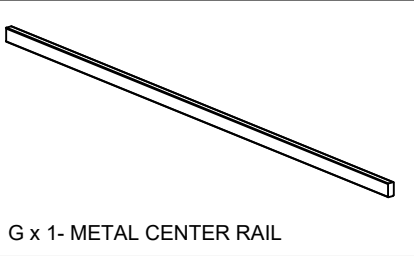
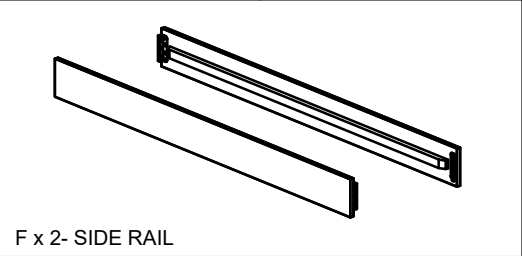
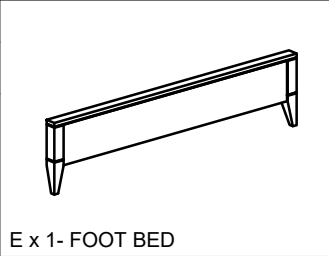
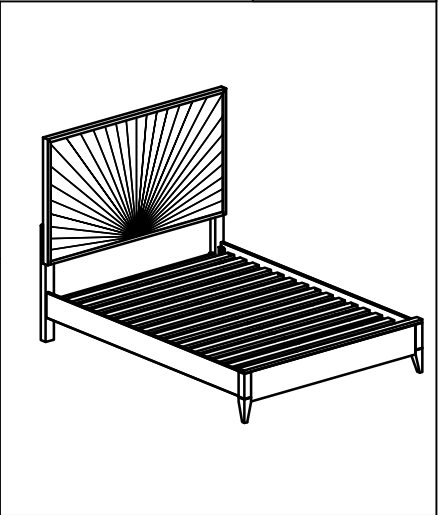
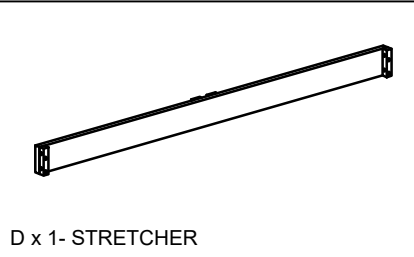
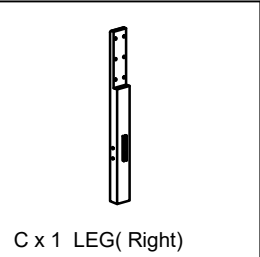
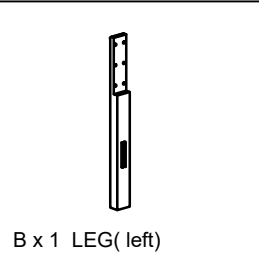
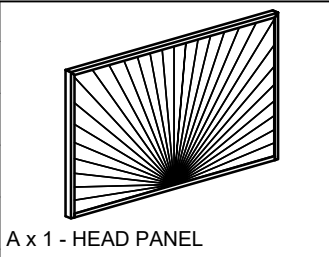


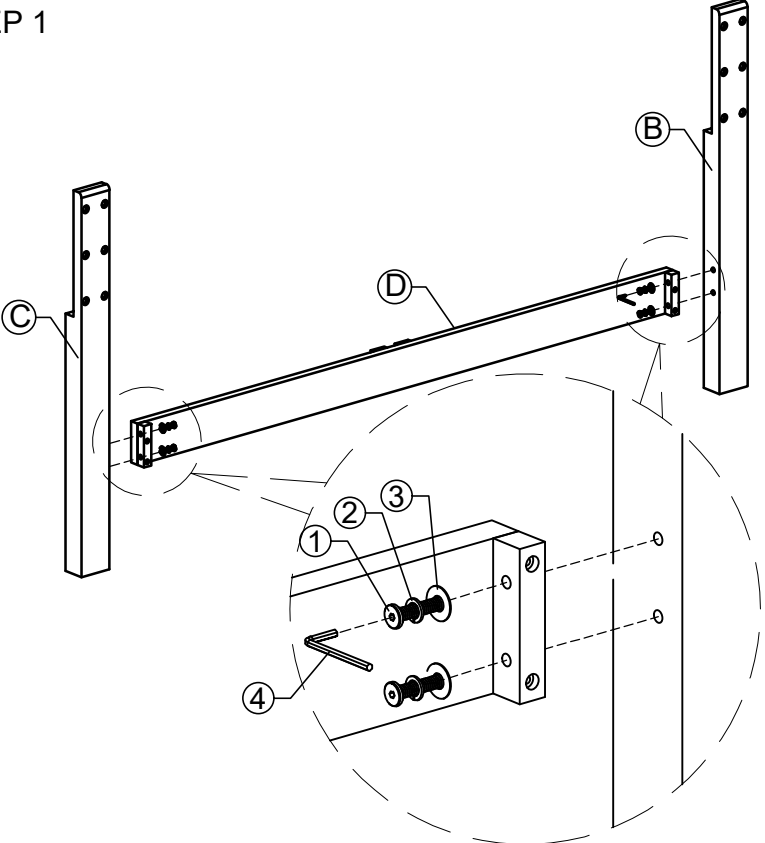
ASSEMBLY INSTRUCTION

G7569 - 4'6 BED

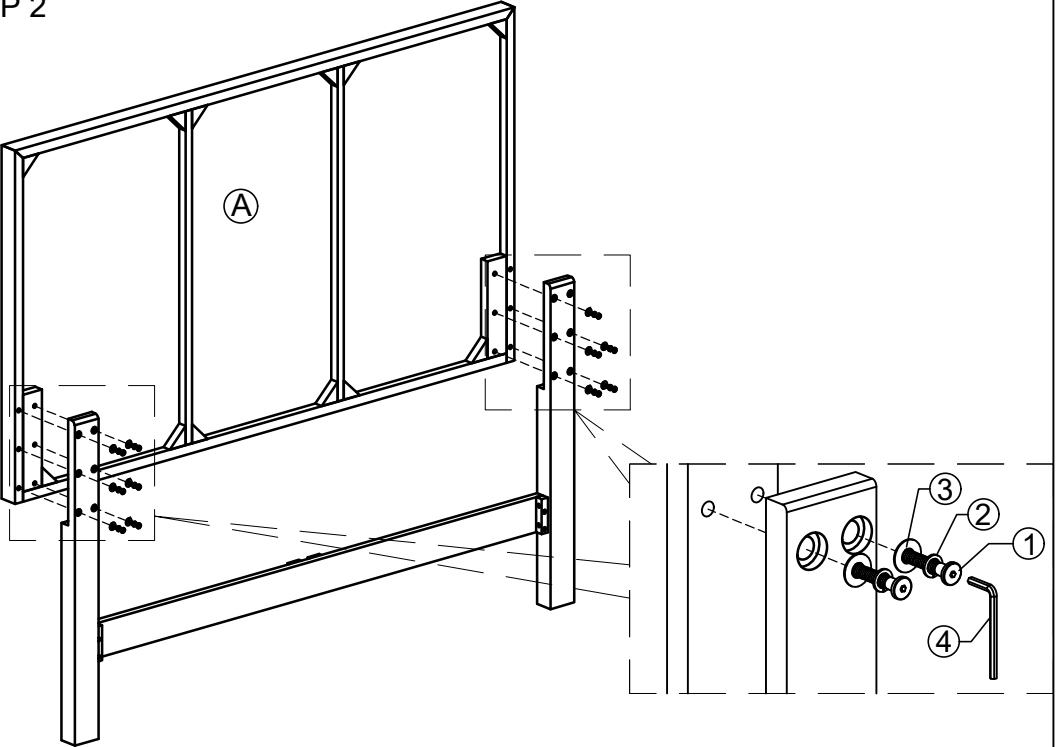
No	Name of Hardware	Q.ty
①	Bolt M8x40 	16
②	Spring washer 	16
③	Flat washer 	16
④	Allen Key (K4) 	1
⑤	Bolt M6 x 10 	8
⑥	Allen Key (K5) 	1



STEP 1



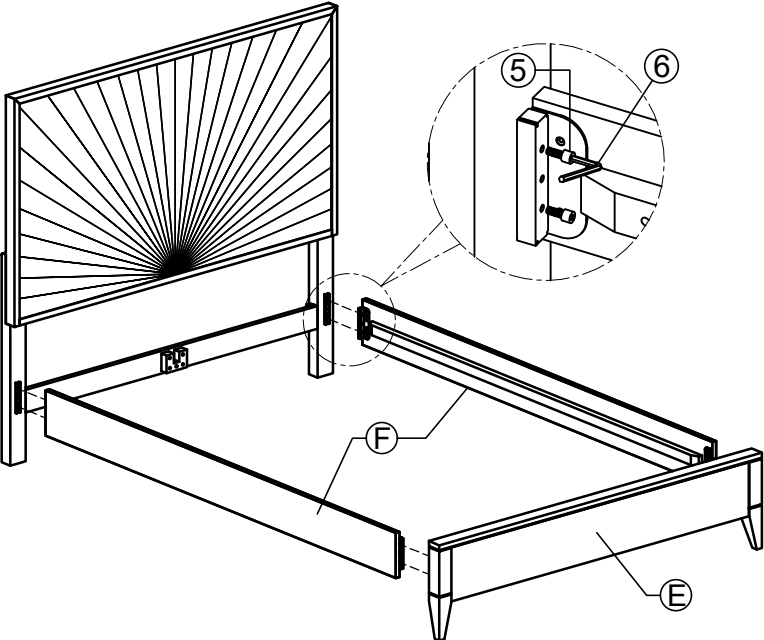
STEP 2



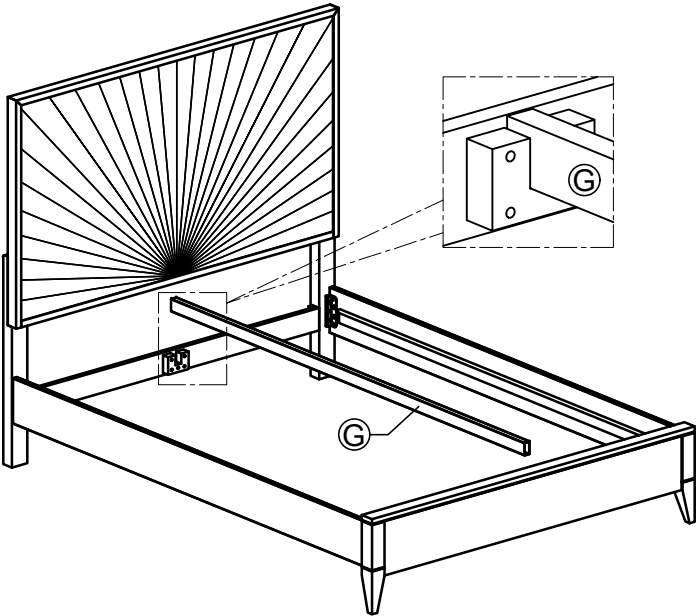
ASSEMBLY INSTRUCTION

G7569 - 4'6 BED

STEP 3

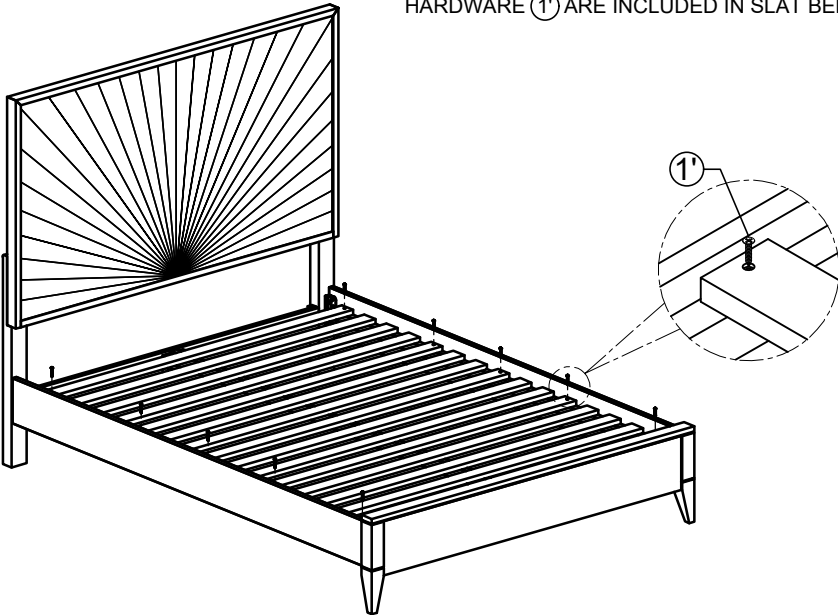


STEP 4



STEP 5

NOTE: SLAT BEDS ARE ON A DIFFERENT PACKAGE
HARDWARE (1') ARE INCLUDED IN SLAT BED



FINAL

