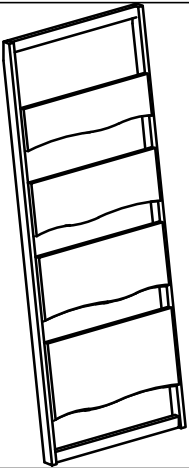



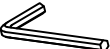



ASSEMBLY INSTRUCTION G7501 - BOOKCASE

| No | Name of Component | Q.ty |
|----|---|------|
| A |  | 1 |

| No | Name of Hardware | Q.ty |
|----|--|------|
| ① | Bolt M8 x 20  | 1 |
| ② | Flat Washer M8  | 1 |
| ③ | Spring Washer M8  | 1 |
| ④ | Allen key K4  | 1 |
| ⑤ | Round Screw Ø5x35  | 2 |

