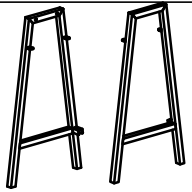
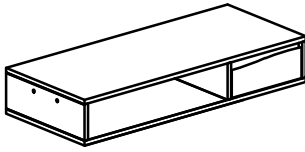

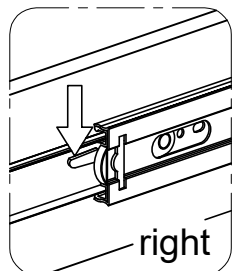
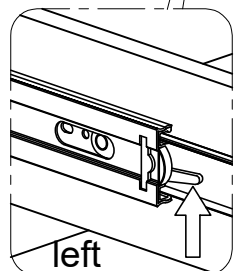
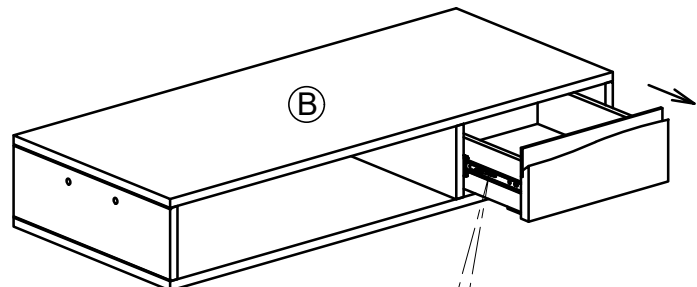


ASSEMBLY INSTRUCTION G7491 - DESK

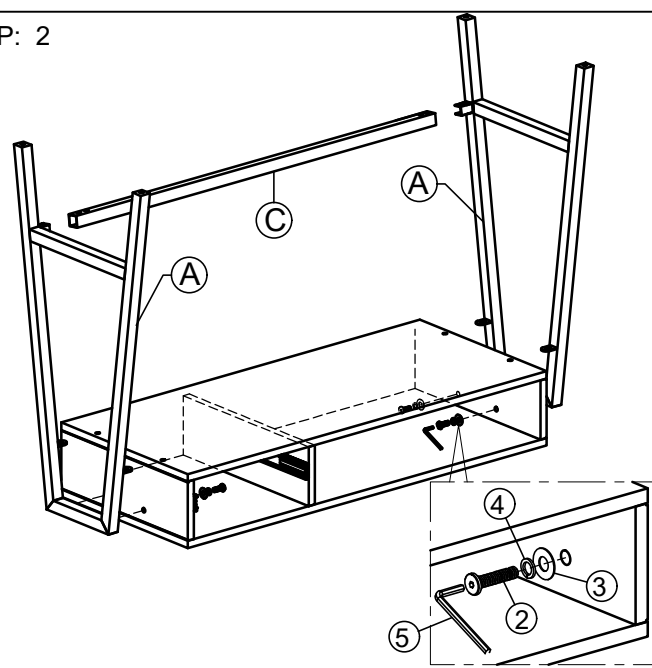
No	Name of Component	Q.ty
Ⓐ	 Leg Frame (Left - Right)	2
Ⓑ	 Box	1
Ⓒ	 Stretcher	1

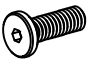







STEP: 1

Move the drawer

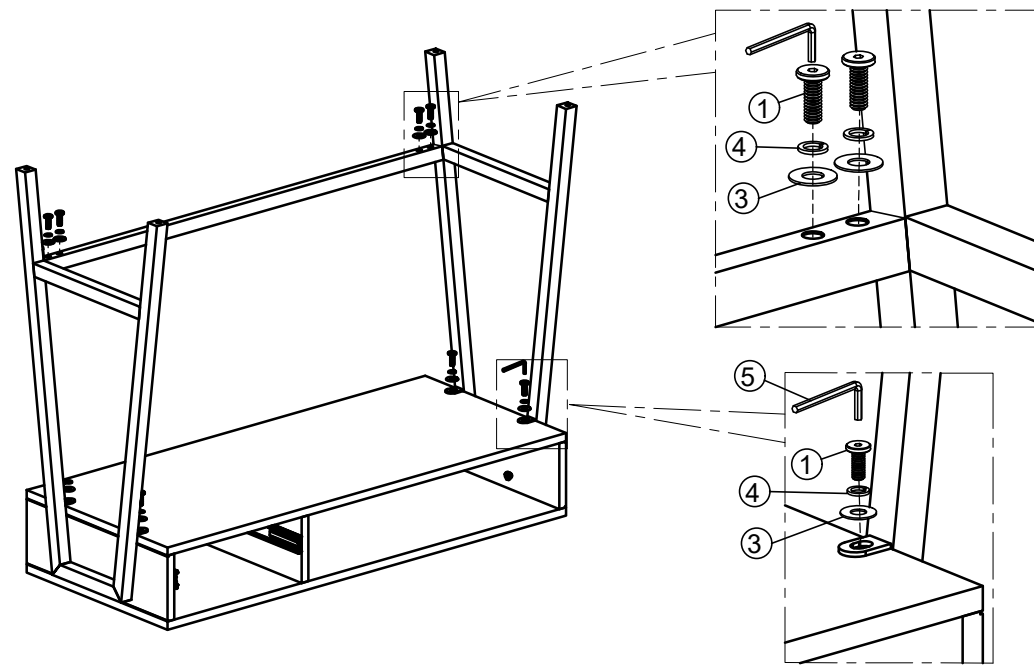


STEP: 2



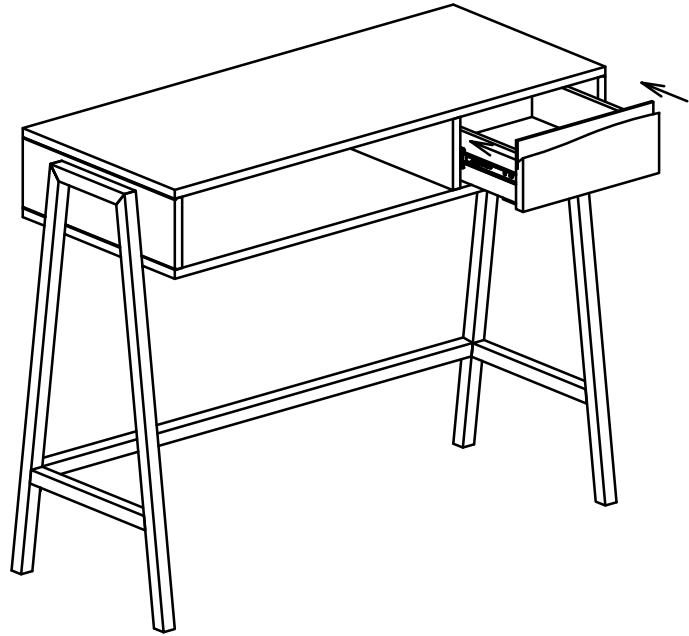
No	Name of Hardware	Q.ty
①	 Bolts M6 x 15	8Pcs
②	 Bolts M6 x 25	4 Pcs
③	 Flat Washers 1 x 6 x 16	12Pcs
④	 Spring Washers M6	12Pcs
⑤	 Allen key K4	1Pc
⑥	 Plastic bracket	2 Pcs
⑦	 Tie	1 Pc
⑧	 Screw Ø4x15	2 Pcs
Screwdriver (not included)		

STEP: 3

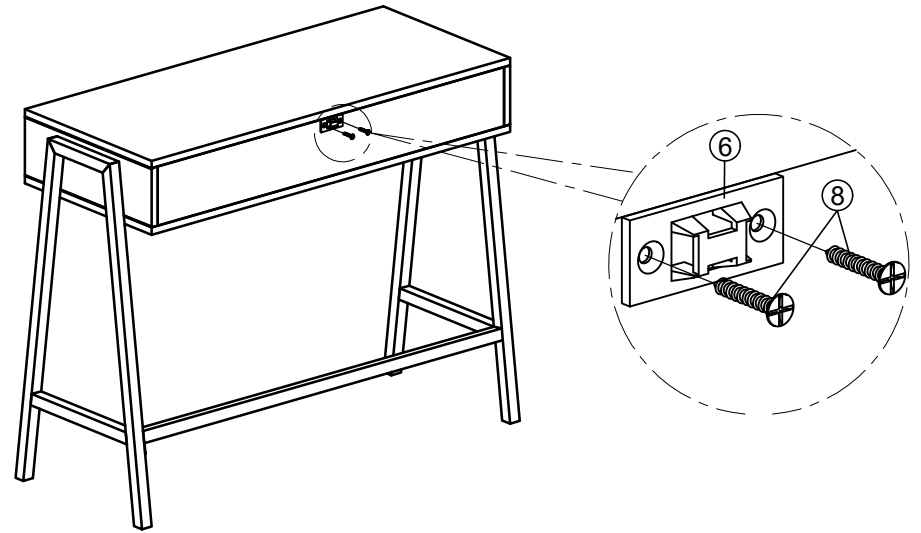


ASSEMBLY INSTRUCTION
G7491 - DESK

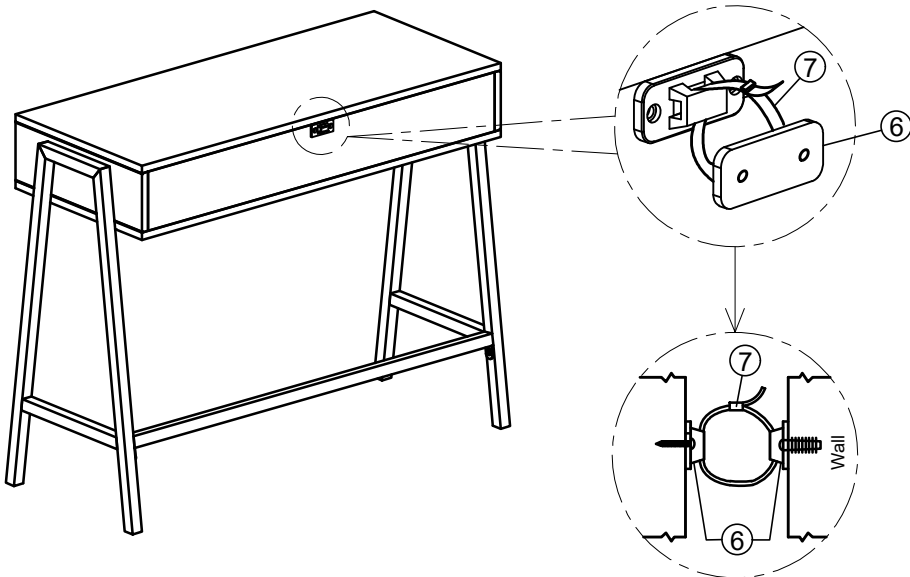
STEP: 4



STEP: 5



STEP: 6



FINAL

