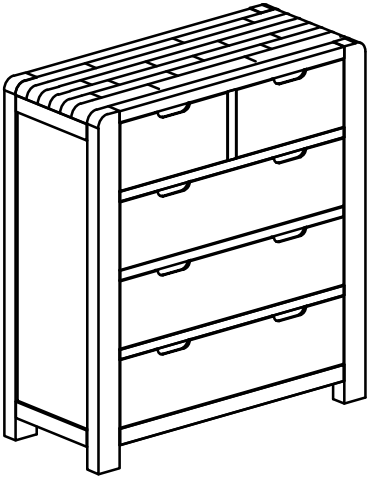
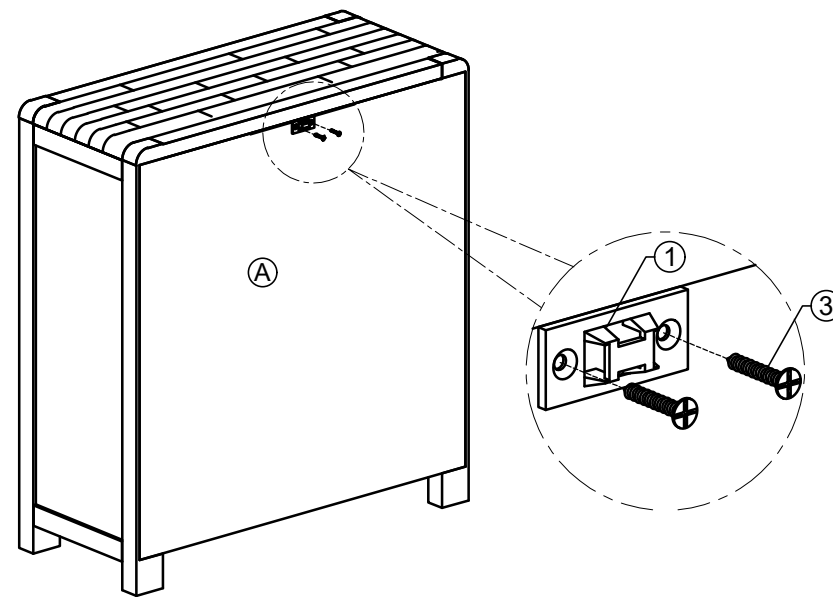





ASSEMBLY INSTRUCTION

G7445 - CHEST 2 OVER 3

| No | PARTS NAME | Q.ty (pcs) |
|----|---|------------|
| A |  | 1 |

STEP 1



| No | LIST OF HARDWARE | Q.ty (pcs) |
|----|---|------------|
| ① | Plastic bracket  | 2 |
| ② | Tie  | 1 |
| ③ | Screw Ø4x20  | 2 |

FINAL

