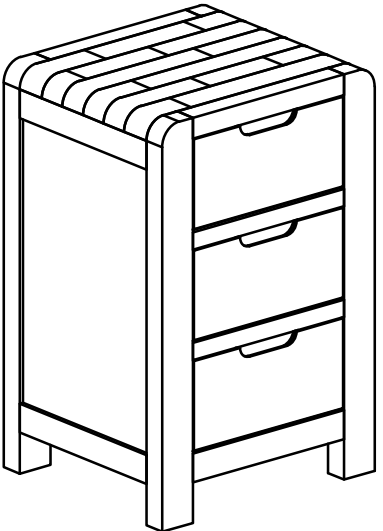
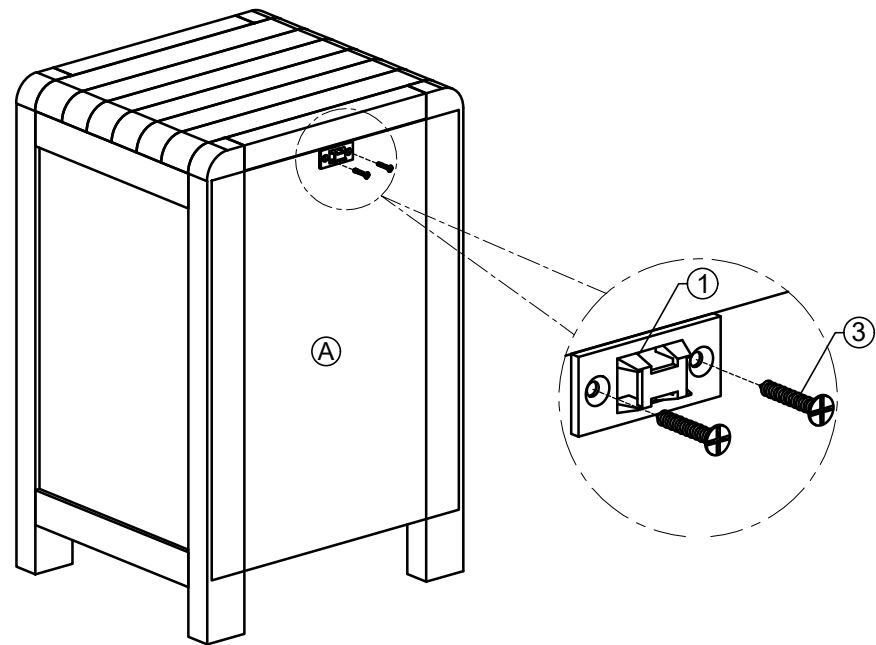





ASSEMBLY INSTRUCTION

G7444 - BEDSIDE

No	PARTS NAME	Q.ty (pcs)
A		1

STEP 1



No	LIST OF HARDWARE	Q.ty (pcs)
①	Plastic bracket 	2
②	Tie 	1
③	Screw Ø4x20 	2

FINAL

