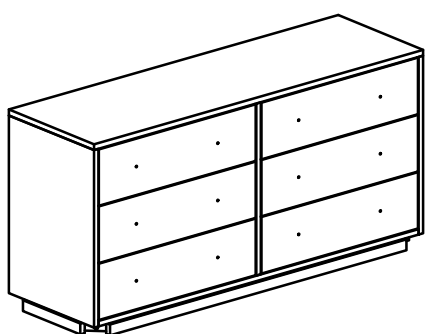
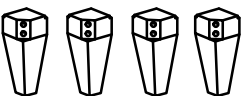








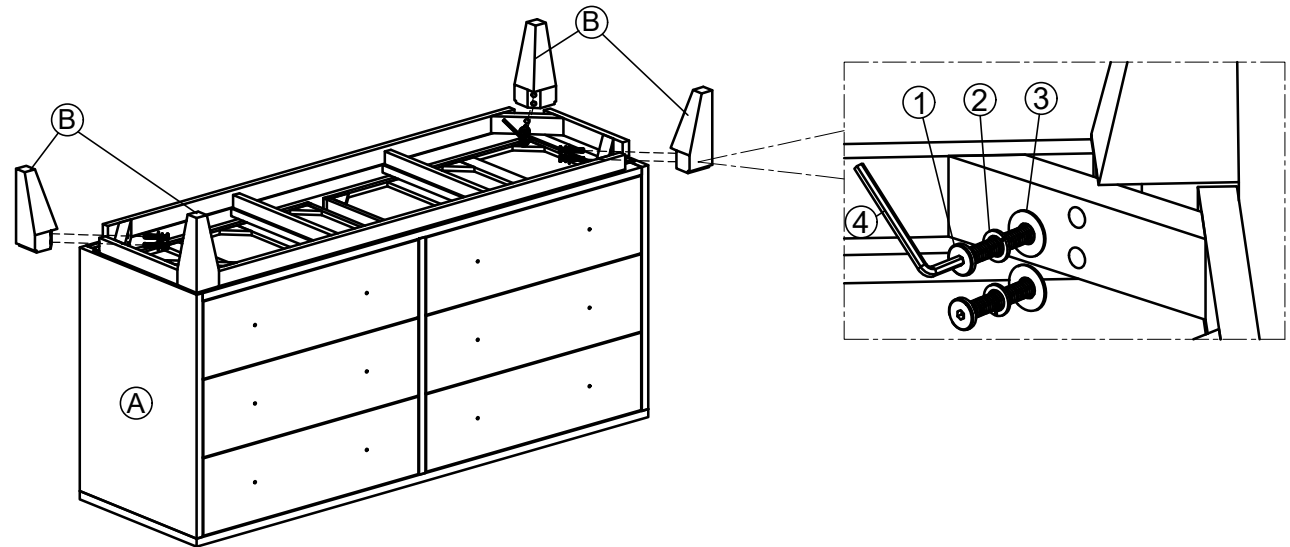


# ASSEMBLY INSTRUCTION

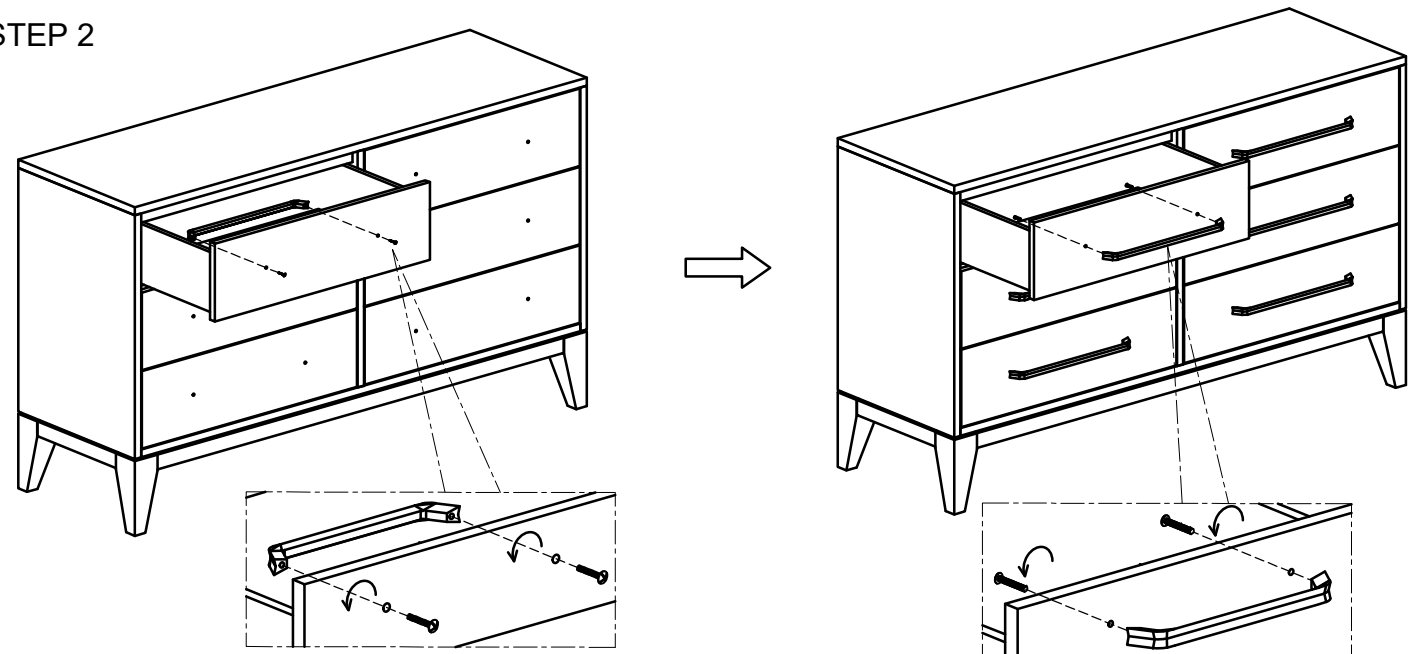
## G7436 - 6 DRAWER CHEST

No	PARTS NAME	Q.ty (pcs)
A	 Chest	1
B	 Legs	4
No	LIST OF HARDWARE	Q.ty (pcs)
①	Bolts M6x50 	8
②	Spring Washers M6 	8
③	Flat Washers M6 	8
④	Allen key K4 	1
⑤	Bracket 	2
⑥	Tie 	1
⑦	Screw Ø4 x 20 	2
Screwdriver (not included) 		

### STEP 1



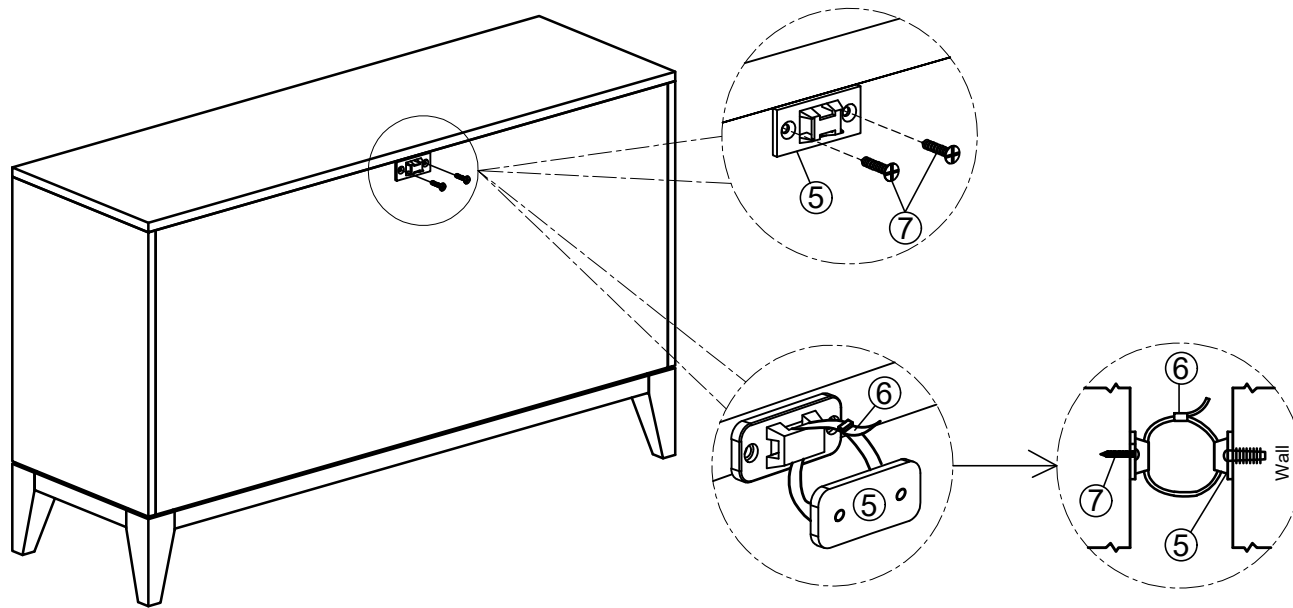
### STEP 2



# ASSEMBLY INSTRUCTION

## G7436 - 6 DRAWER CHEST

### STEP 3



### FINAL

